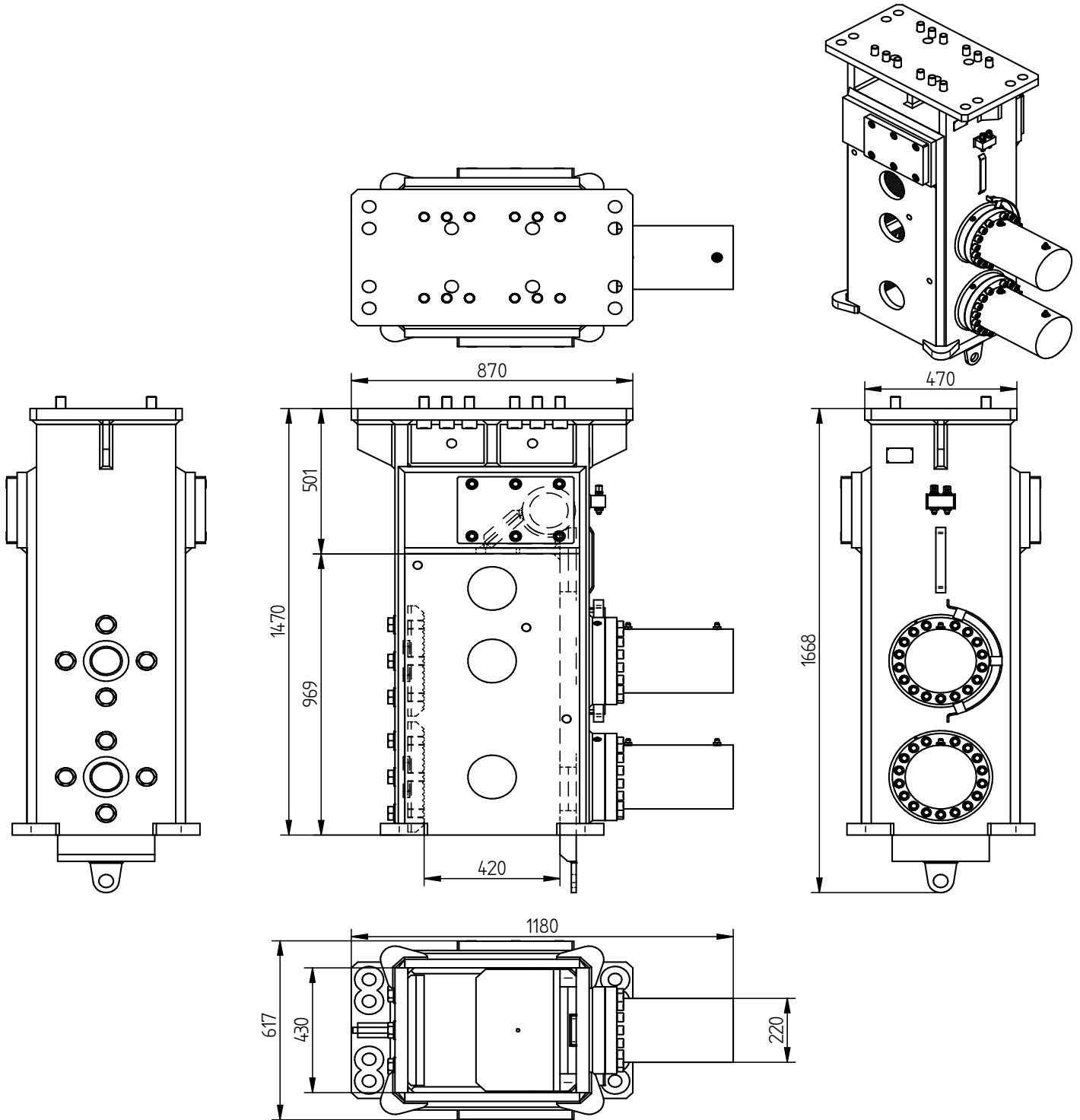




# Specification sheet

## PVE 120TP

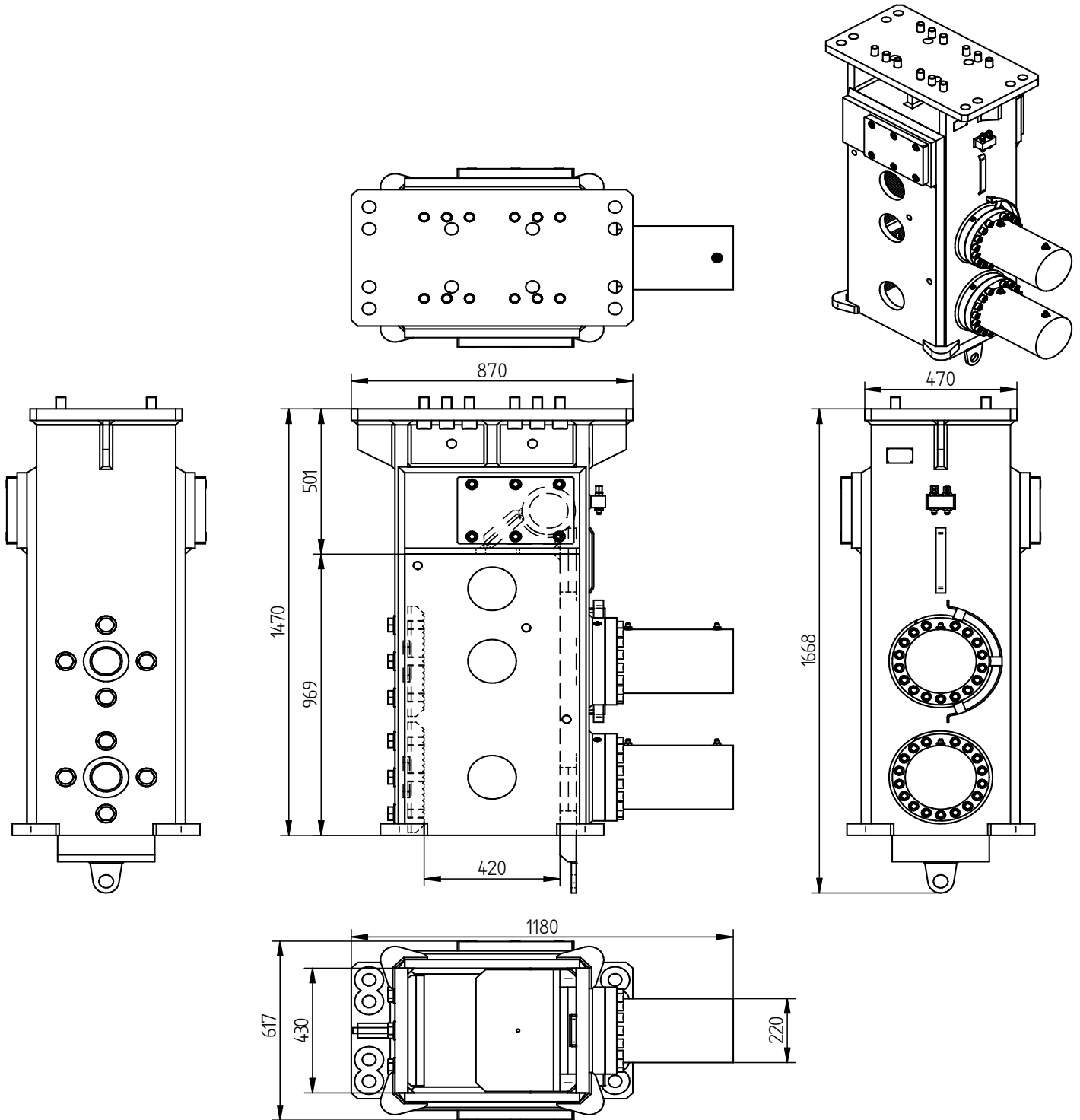
### Pile Clamp



#### Specifications :

#### PVE 120TP

Pile clamp		
Clamping force	1200	kN
Max. operating press.	300	bar
Max. clamp open press.	180	bar
Weight	1650	kg



#### Technische Daten :

#### PVE 120TP

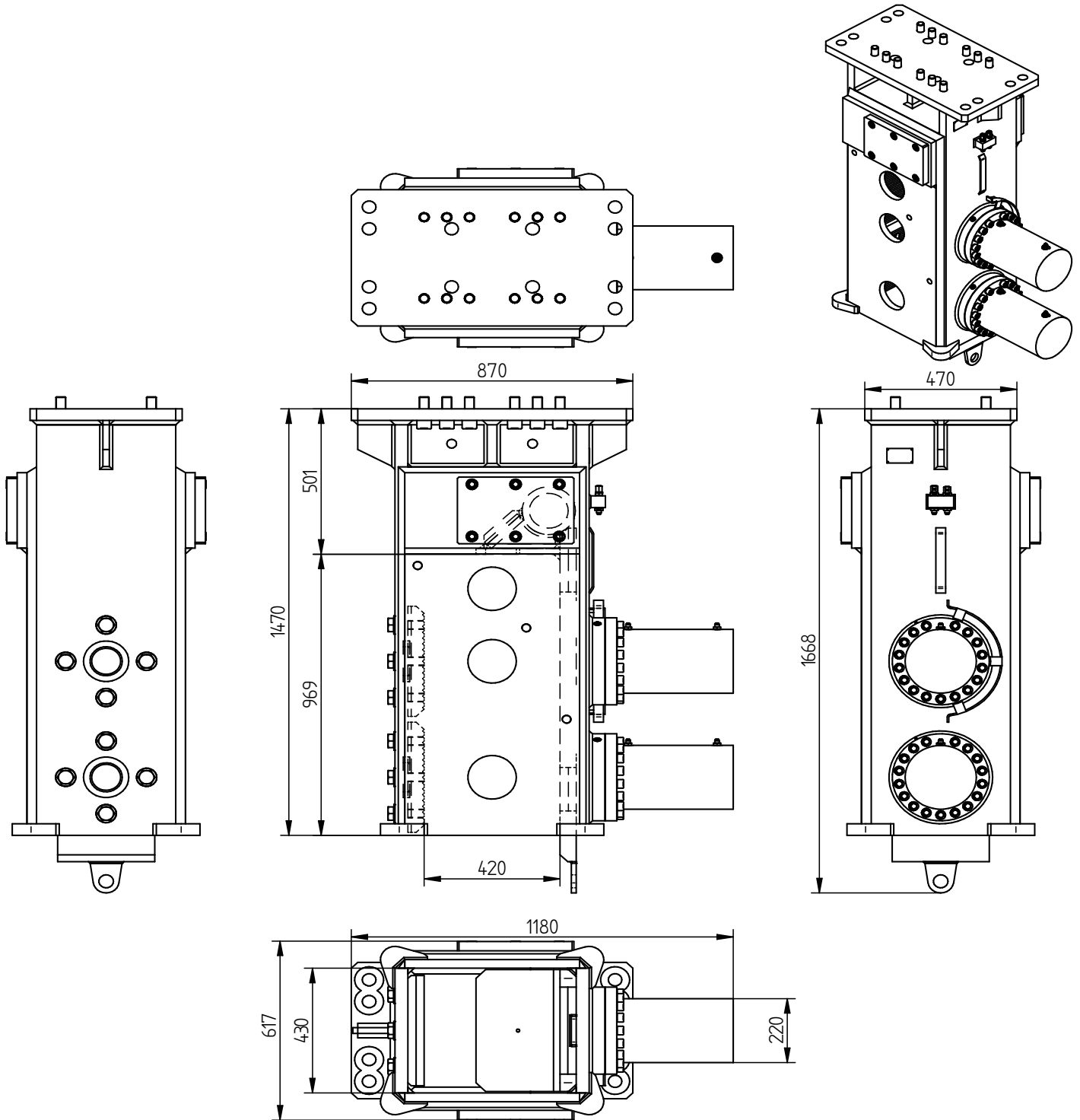
Staketzange		
Klemmkraft	1200	kN
Max. Betriebsdruck	300	bar
Max. Druck Zange Offen	180	bar
Gewicht	1650	kg



# Spécifications

## PVE 120TP

Pince échelas



### Spécifications

### PVE 120TP

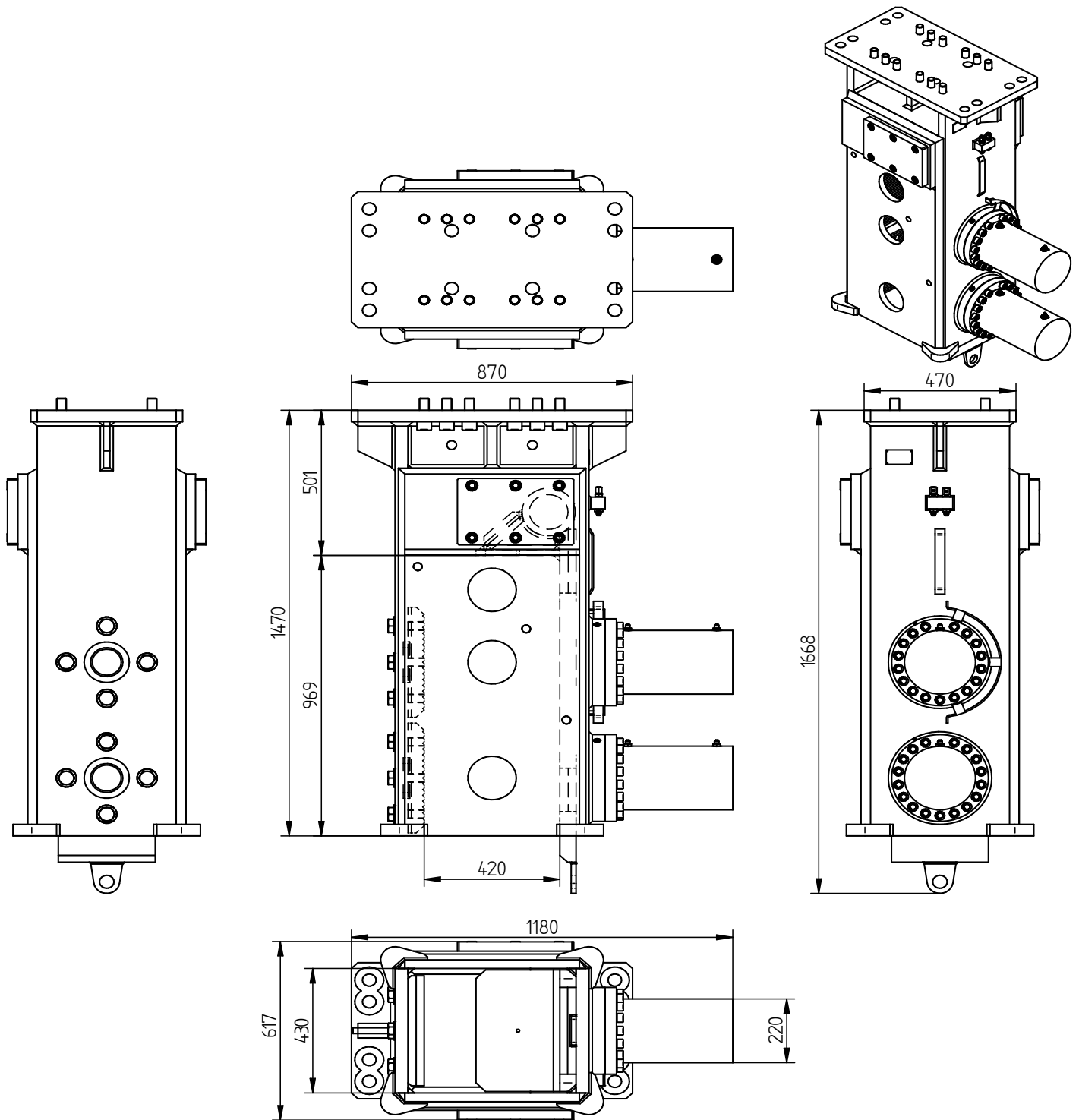
Pince échelas		
Force de serrage	1200	kN
Pression de travail max.	300	bar
Pression pince ouvert max.	180	bar
Poids	1650	kg



# Specificaties

## PVE 120TP

Paalklem



### Specificaties

### PVE 120TP

Paalklem		
Klemkracht	1200	kN
Max. werkdruk	300	bar
Max. klem open druk	180	bar
Gewicht	1650	kg

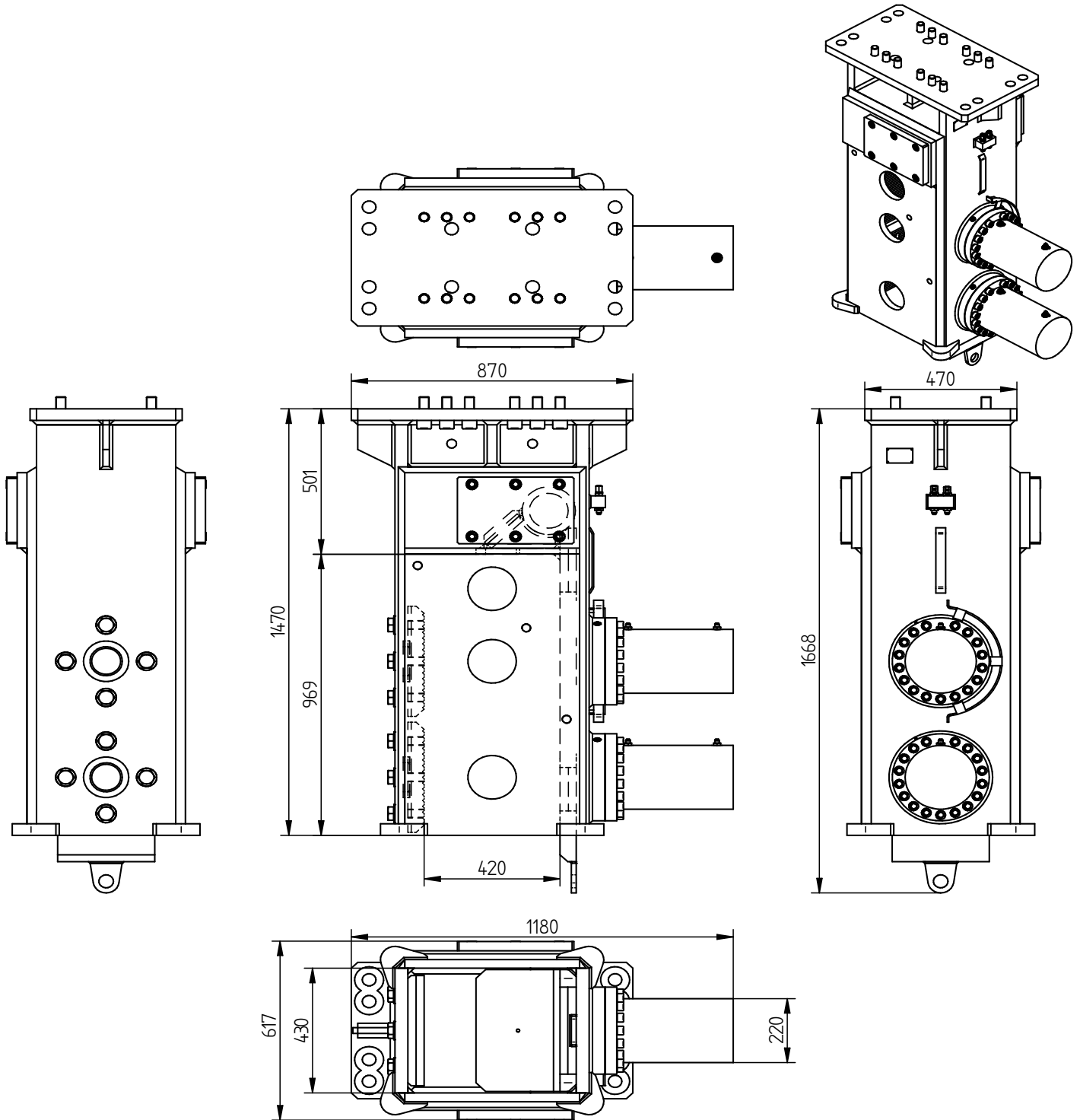




# Specificatii

## PVE 120TP

Menghina pentru palplane



### Specificatii

### PVE 120TP

Menghina pentru palplane		
Putere de strangere	1200	kN
Presiunea maxima de lucru	300	bar
Presiunea maxima cu menghina deschisa	180	bar
Greutate	1650	kg

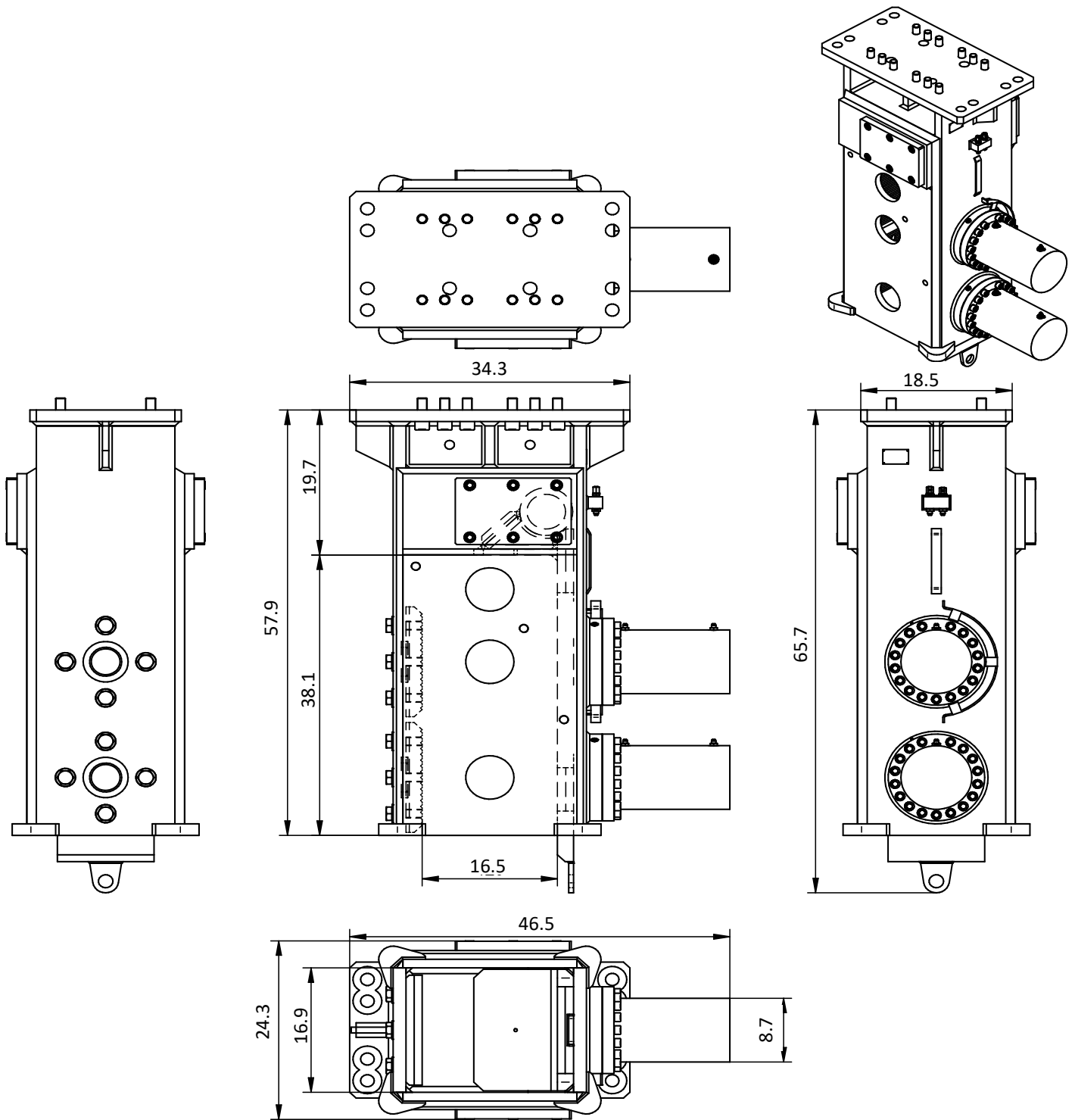


# Specifications

## PVE 120TP

Pile clamp

USA



### Specifications

### PVE 120TP

Pile clamp		
Clamping force	135	ton
Max. operating press.	4,351	psi
Max. clamp open press.	2,611	psi
Weight	3,638	lbs