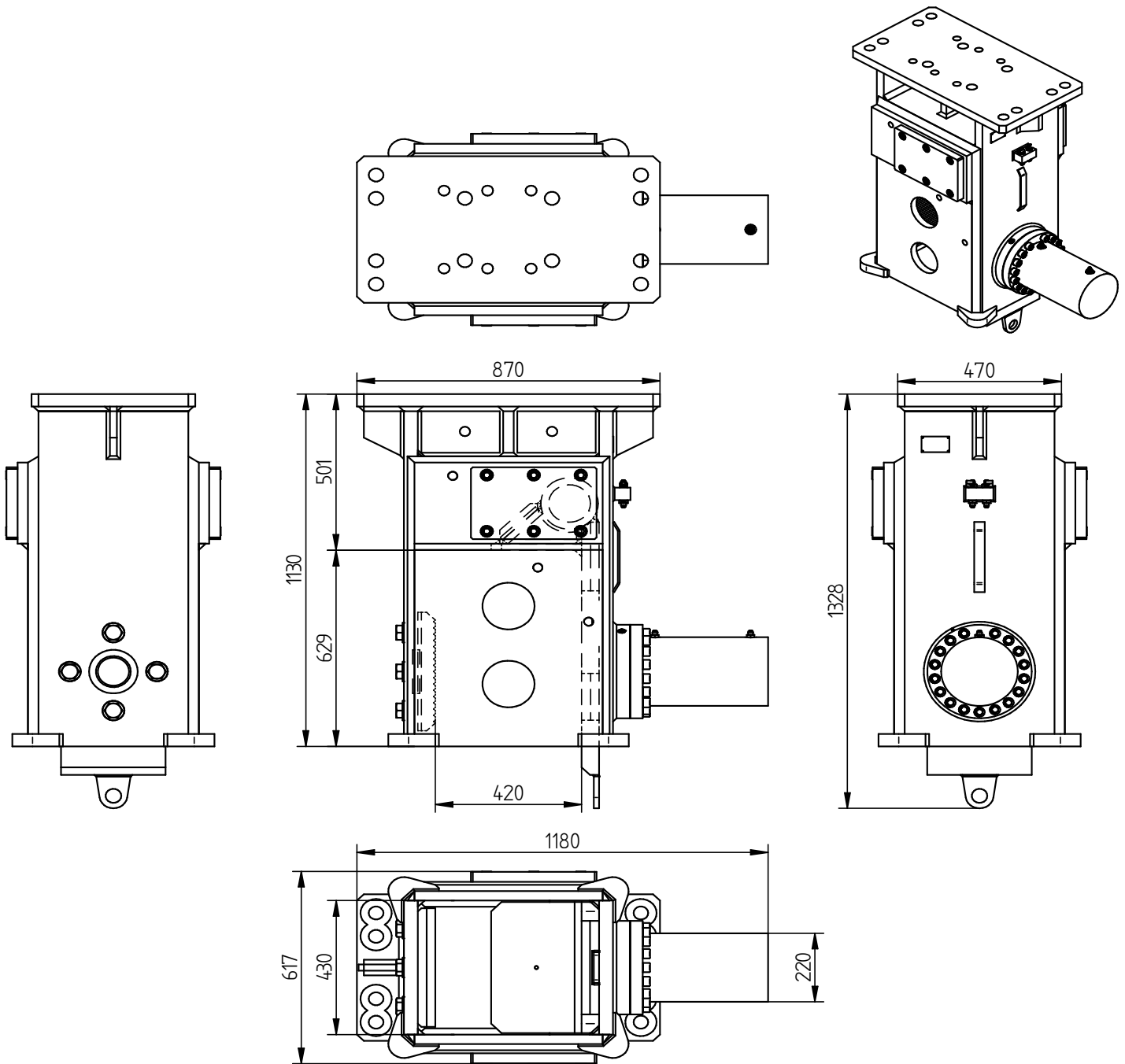


Specifications :

ICE 60TP

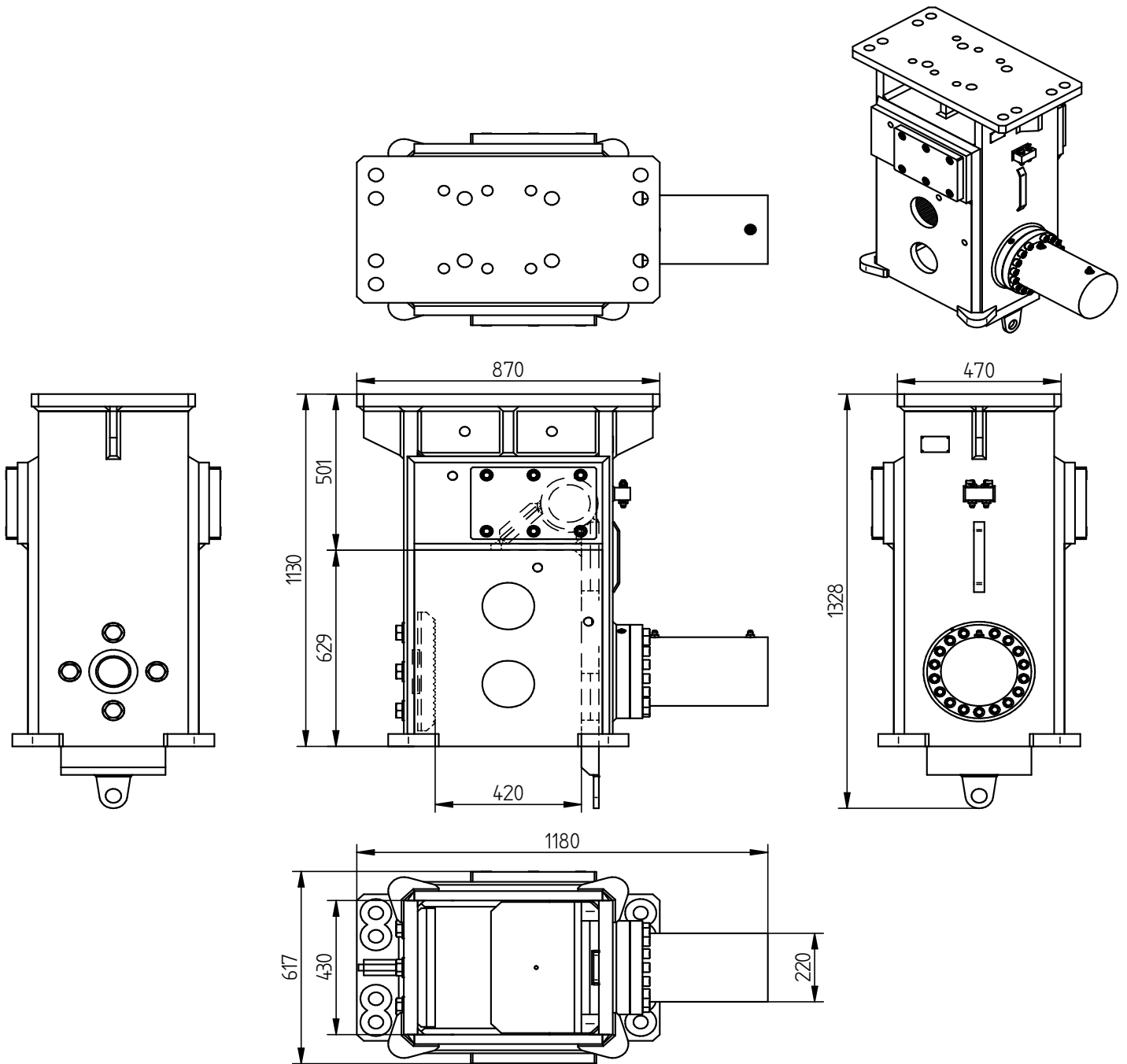
Pile clamp		
Clamping force	600	kN
Max. operating press.	300	bar
Max. clamp open press.	180	bar
Weight	1240	kg



Technische Daten :

ICE 60TP

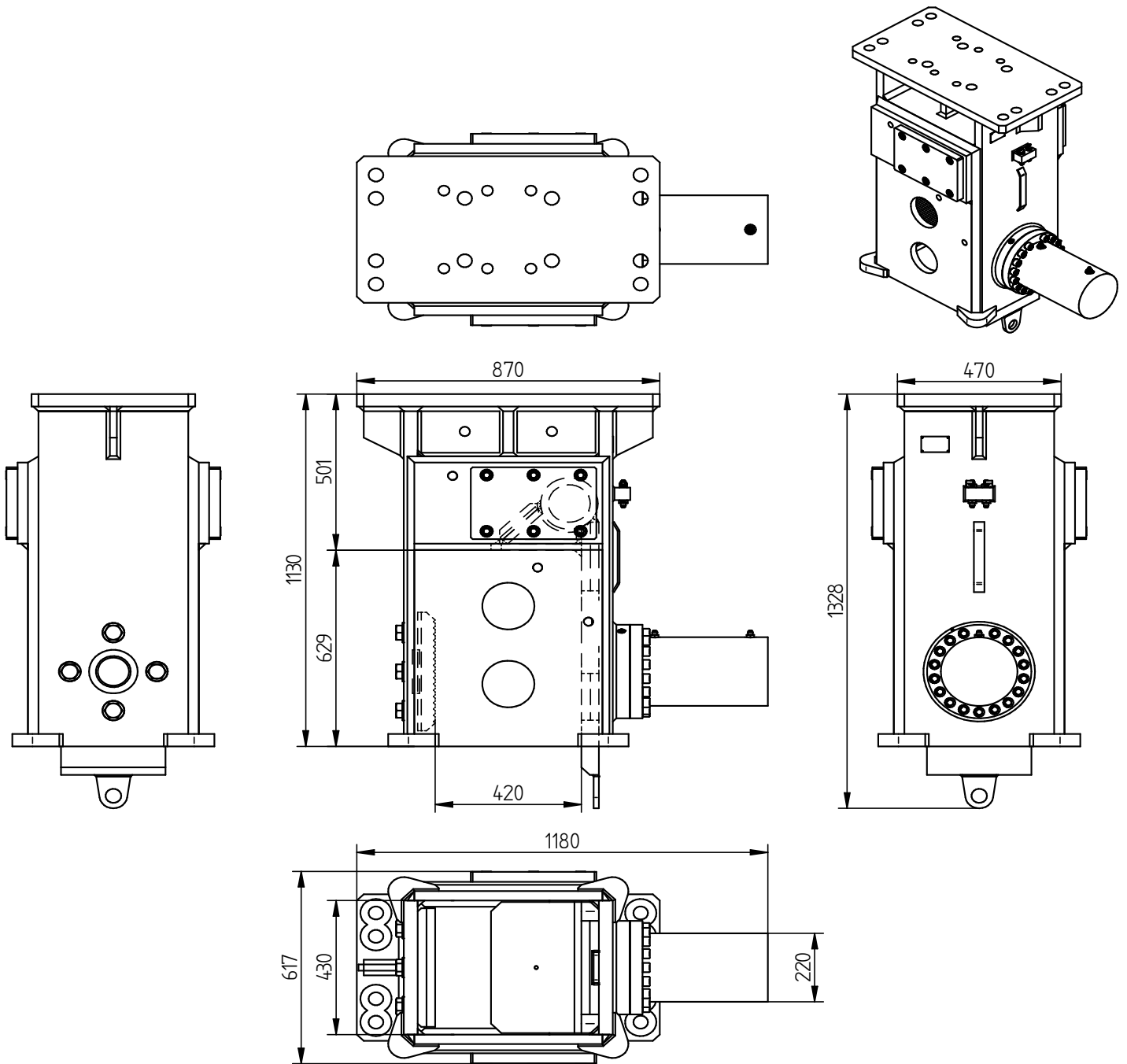
Staketzange		
Klemmkraft	600	kN
Max. Betriebsdruck	300	bar
Max. Druck Zange Offen	180	bar
Gewicht	1240	kg



Spécifications

ICE 60TP

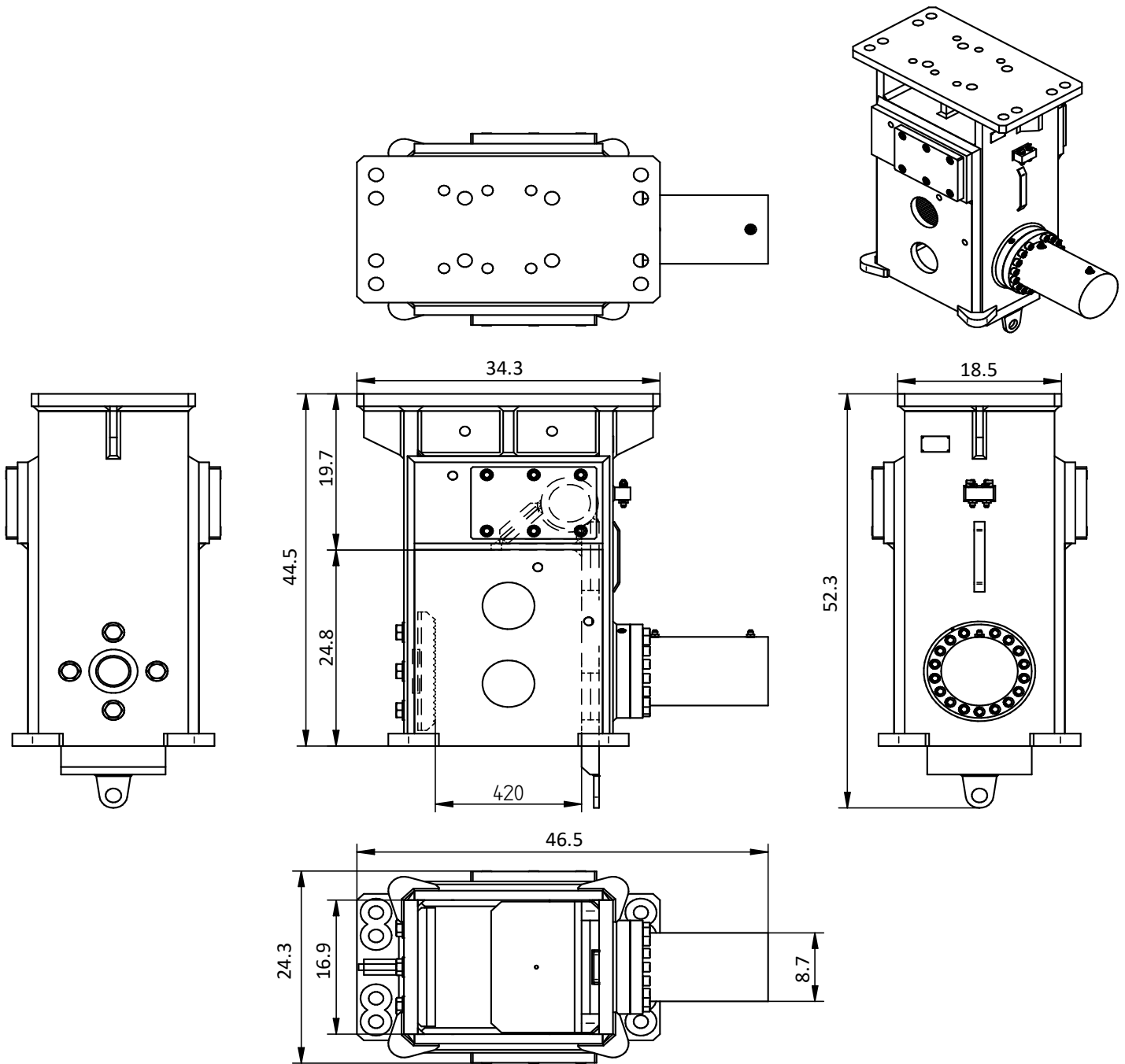
Spécifications	ICE 60TP	
Pince échalas		
Force de serrage	600	kN
Pression de travail max.	300	bar
Pression pince ouvert max.	180	bar
Poids	1240	kg



Specificaties

ICE 60TP

Paalklem		
Klemkracht	600	kN
Max. werkdruk	300	bar
Max. klem open druk	180	bar
Gewicht	1240	kg



Specifications

ICE 60TP

Pile clamp		
Clamping force	67	ton
Max. operating press.	4,351	psi
Max. clamp open press.	2,611	psi
Weight	2,734	lbs