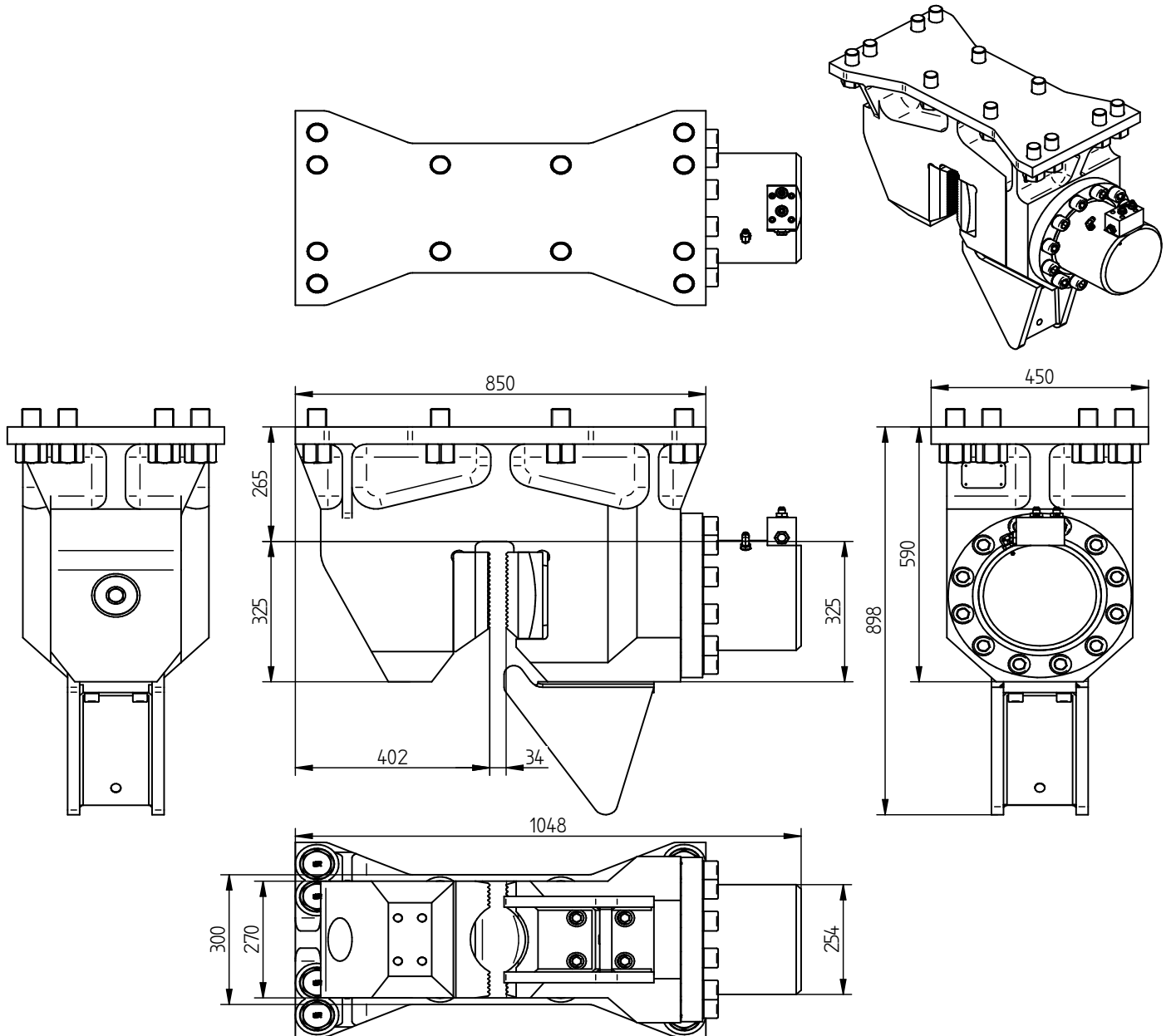




Specification sheet

PVE 110TU

Sheet Pile Clamp



Specifications :

PVE 110TU

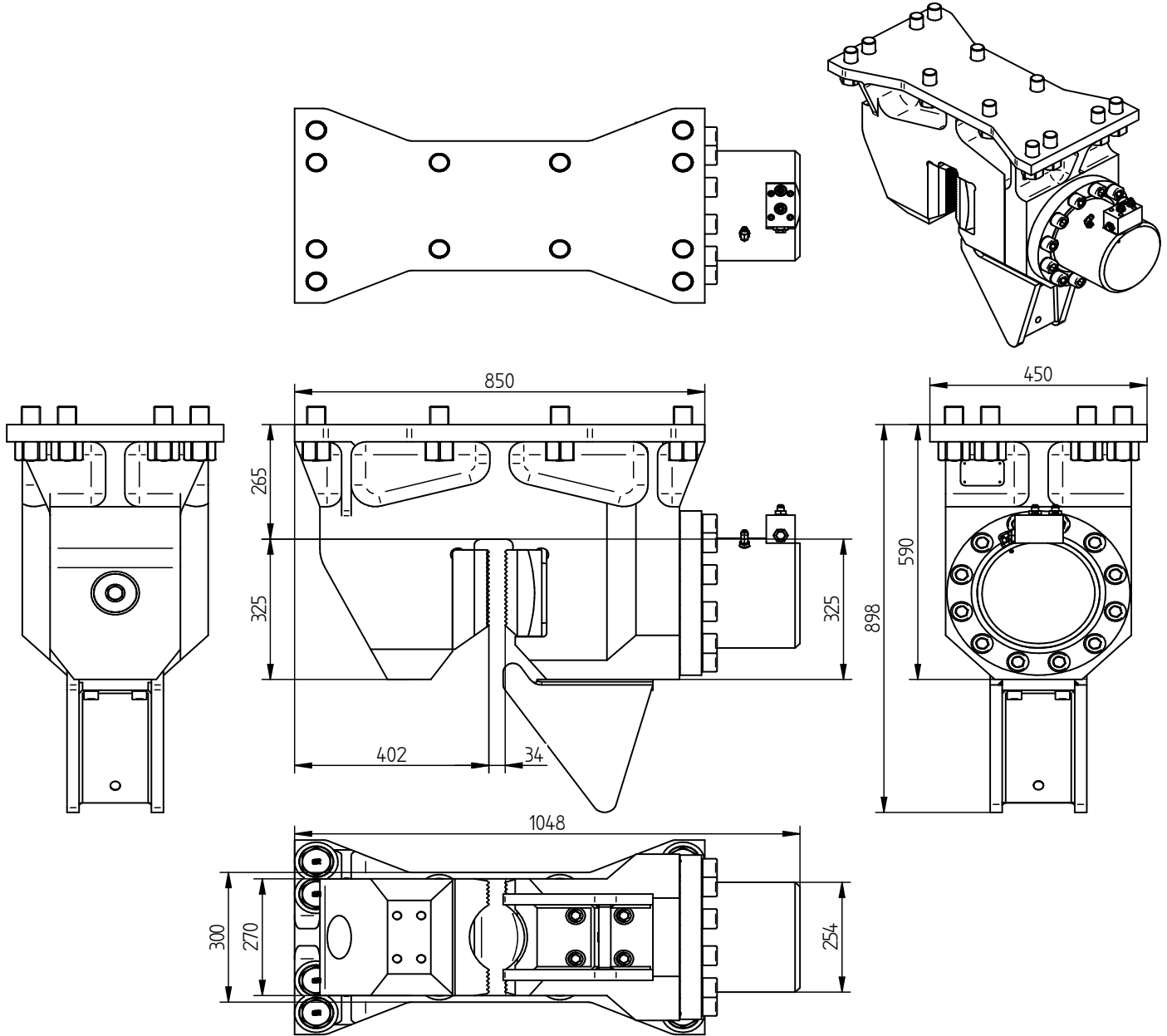
Sheet pile clamp		
Clamping force	1100	kN
Max. operating press.	300	bar
Max. clamp open press.	180	bar
Weight	750	kg



Technische Daten

PVE 110TU

Spundwandzange



Technische Daten :

PVE 110TU

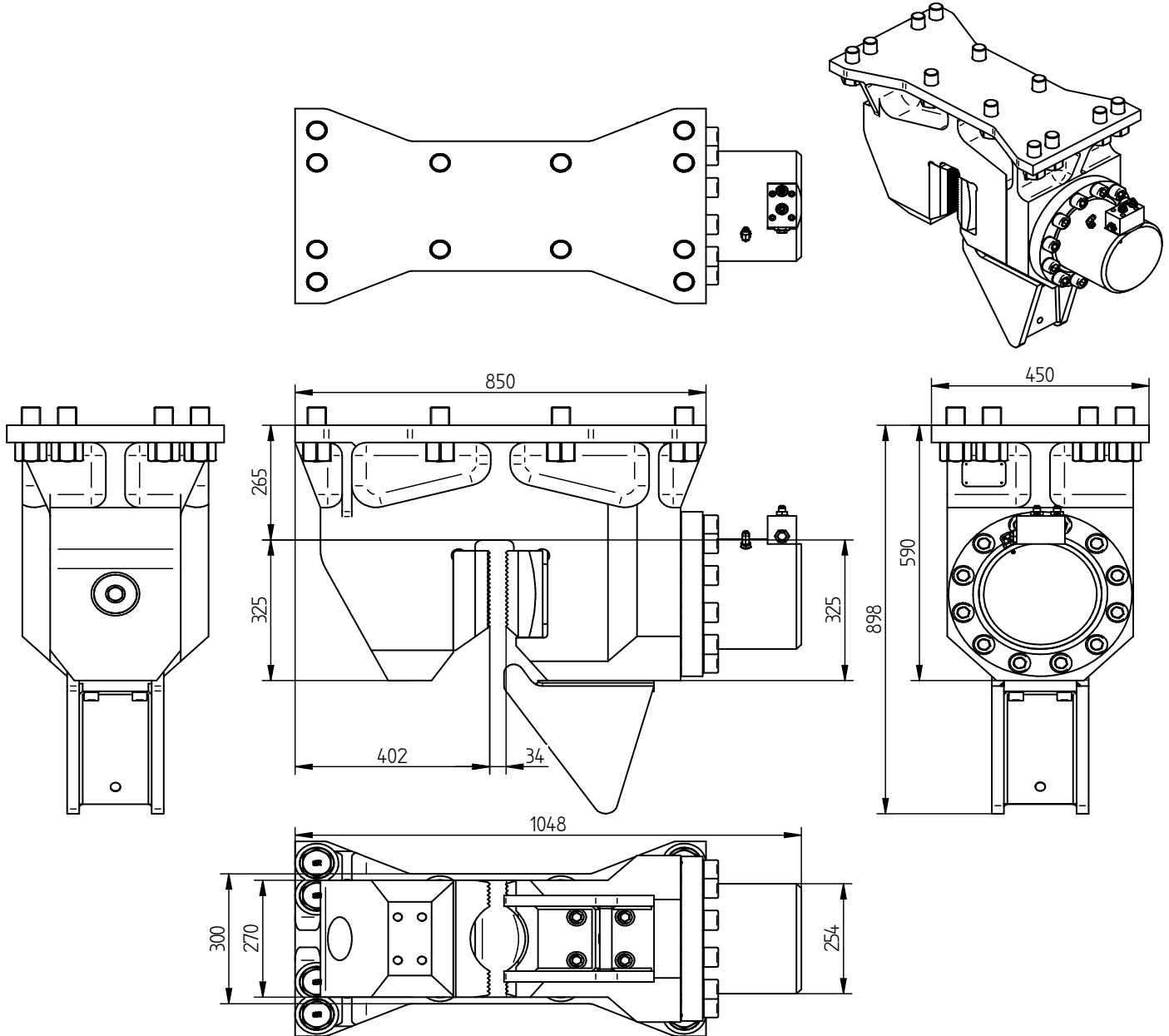
Spundwandzange		
Klemmkraft	1100	kN
Max. Betriebsdruck	300	bar
Max. Druck Zange Offen	180	bar
Gewicht	750	kg



Spécifications

PVE 110TU

Pince palplanches



Spécifications

PVE 110TU

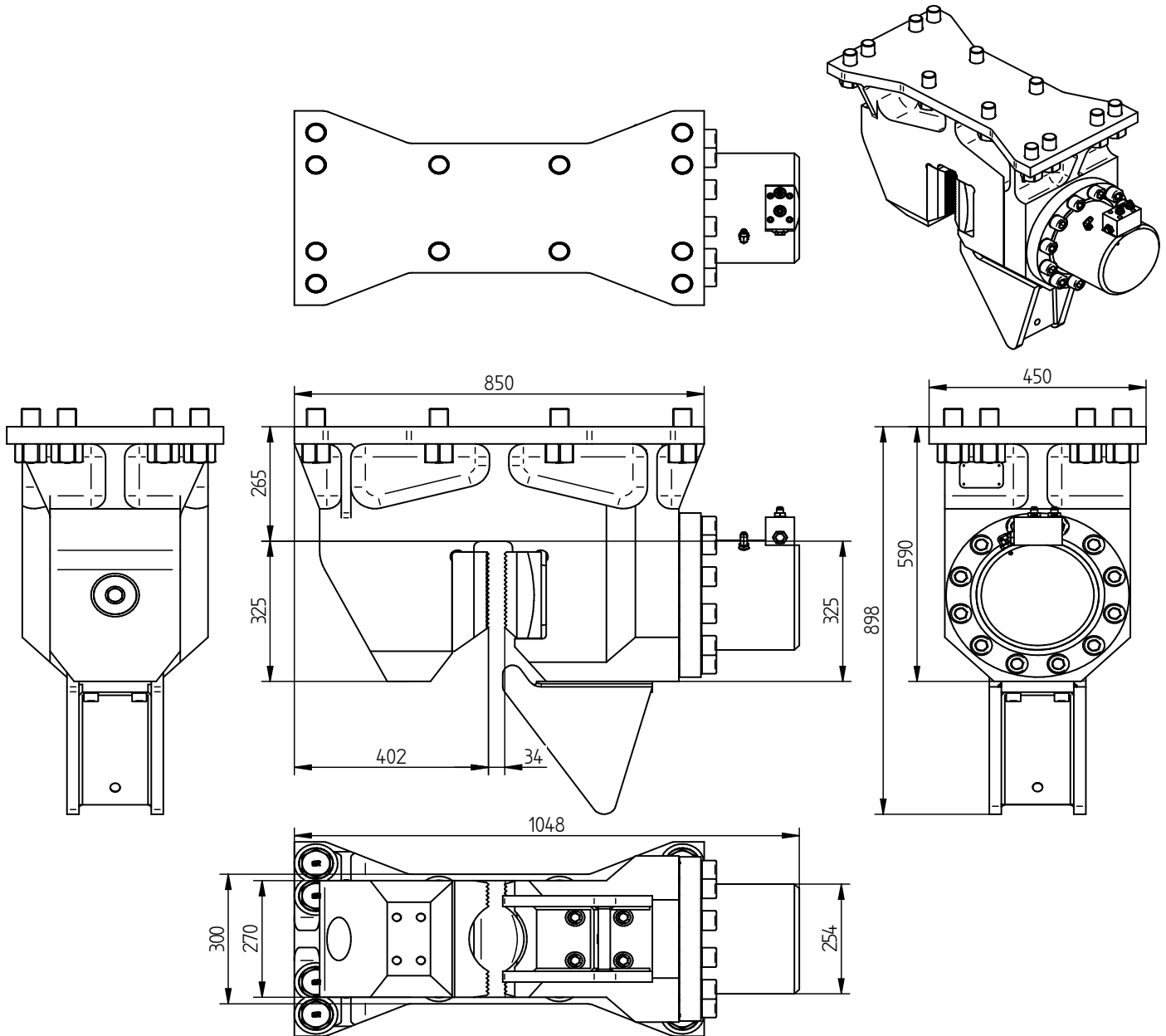
Pince palplanches		
Force de serrage	1100	kN
Pression de travail max.	300	bar
Pression pince ouvert max.	180	bar
Poids	750	kg



Specificaties

PVE 110TU

Damwandklem



Specificaties

PVE 110TU

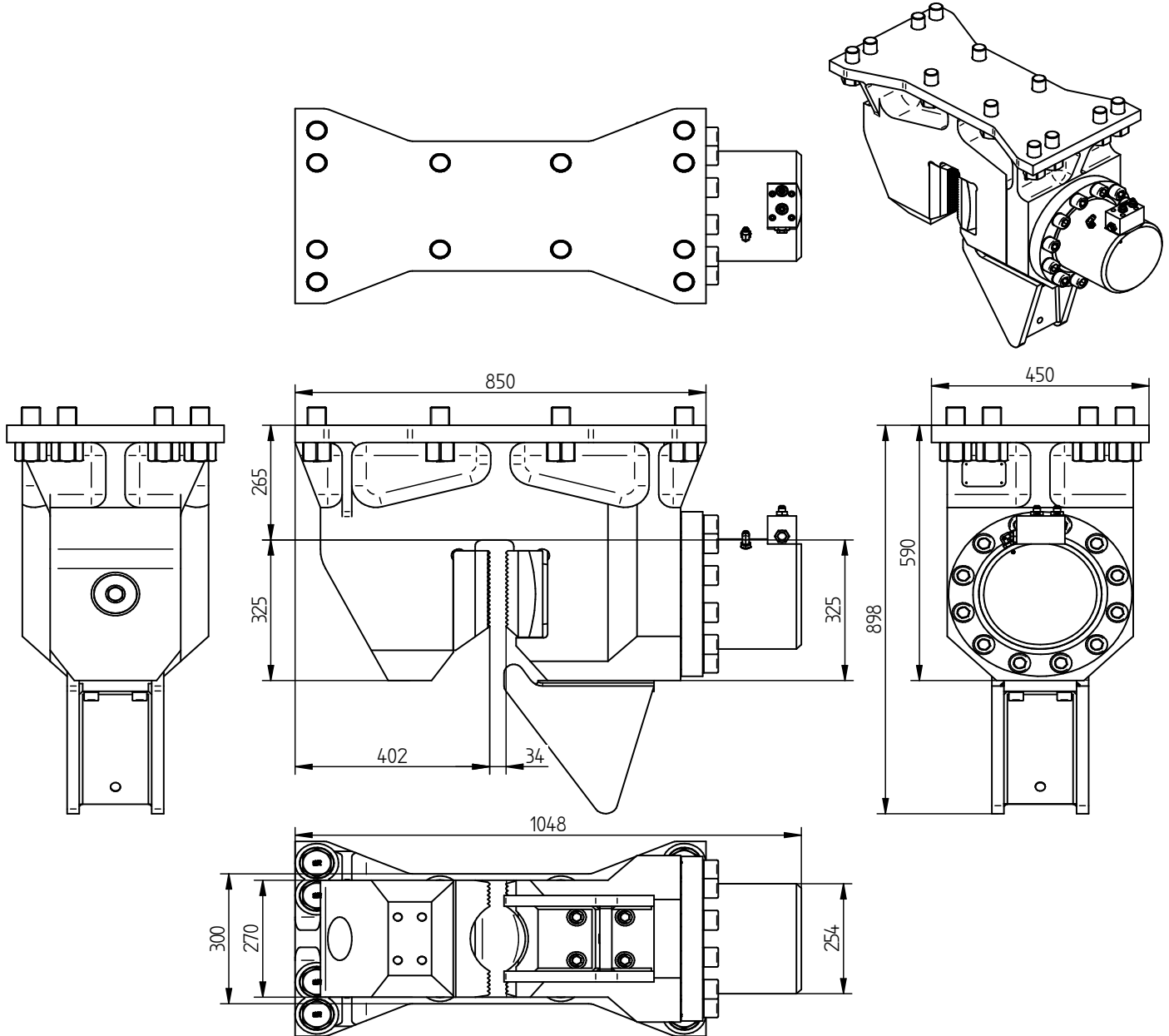
Damwandklem		
Klemkracht	1100	kN
Max. werkdruk	300	bar
Max. klem open druk	180	bar
Gewicht	750	kg



Specificatii

PVE 110TU

Menghina pentru palplanse



Specificatii

Menghina pentru palplanse

Putere de strangere

1100

kN

Presiunea maxima de lucru

300

bar

Presiunea maxima cu menghina deschisa

180

bar

Greutate

750

kg



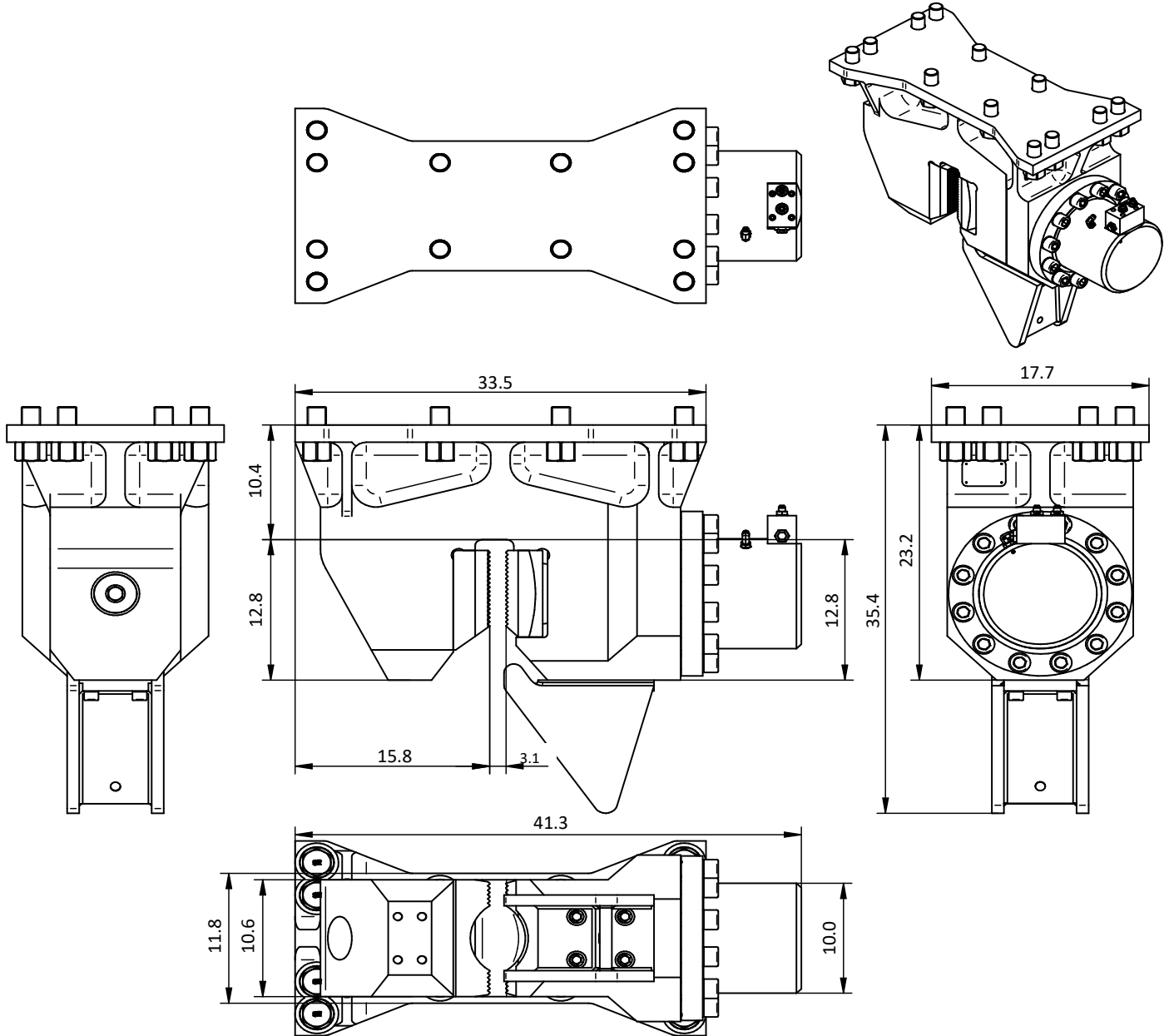
Specifications

PVE 110TU

Sheet pile clamp

USA

INCHES



Specifications

PVE 110TU

Sheet pile clamp		
Clamping force	124	ton
Max. operating press.	4,351	psi
Max. clamp open press.	2,611	psi
Weight	1,653	lbs