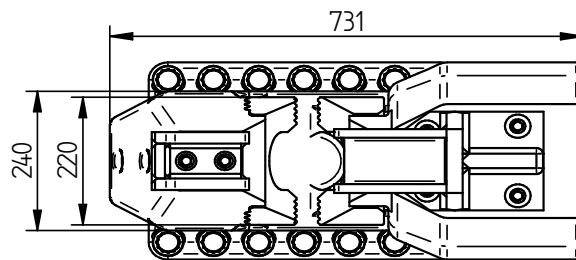
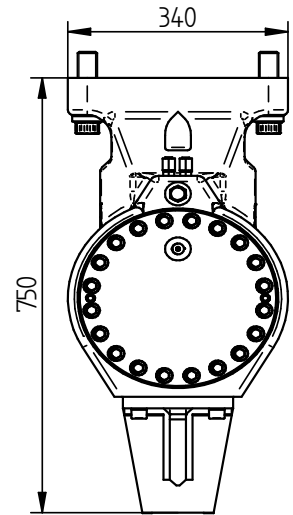
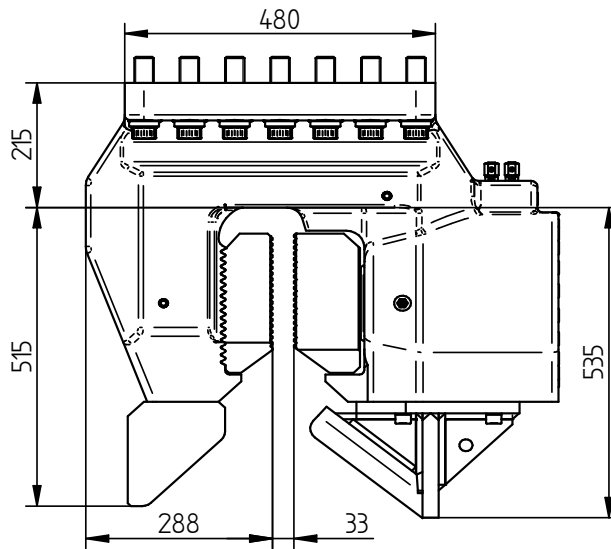
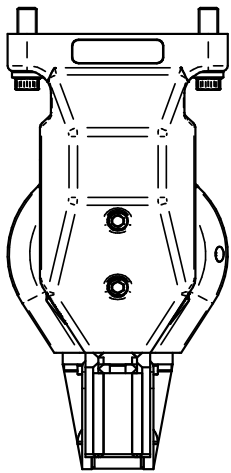
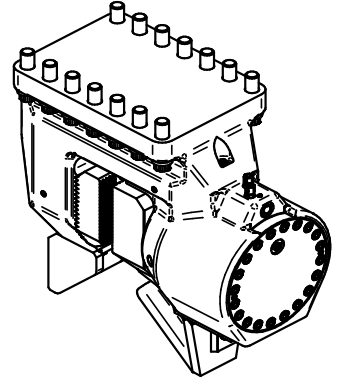
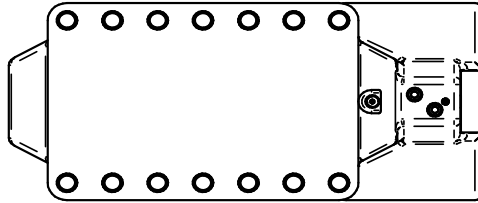




# Specification sheet

## PVE 130TU

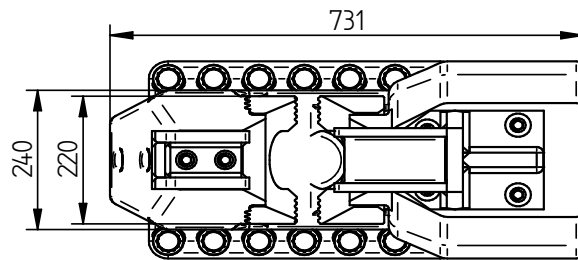
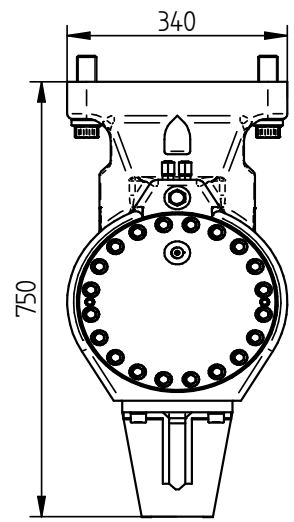
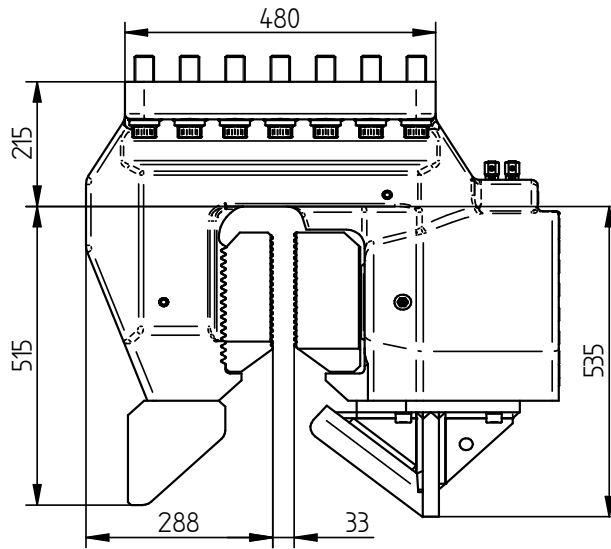
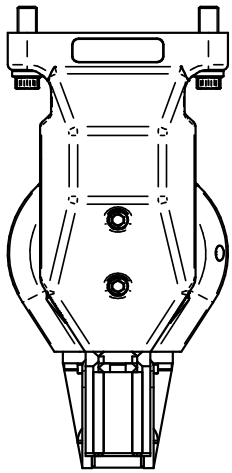
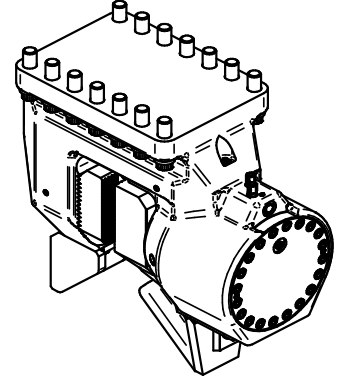
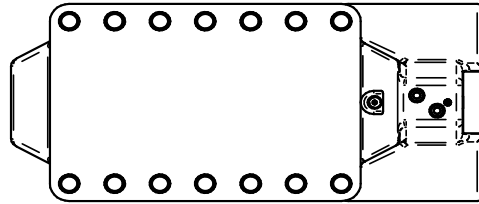
### Sheet Pile Clamp



#### Specifications :

#### PVE 130TU

Sheet pile clamp		
Clamping force	1300	kN
Max. operating press.	320	bar
Max. clamp open press.	180	bar
Weight	610	kg



#### Technische Daten :

#### PVE 130TU

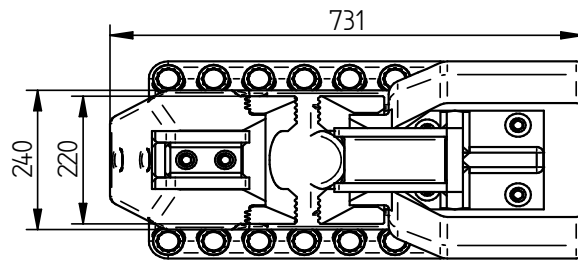
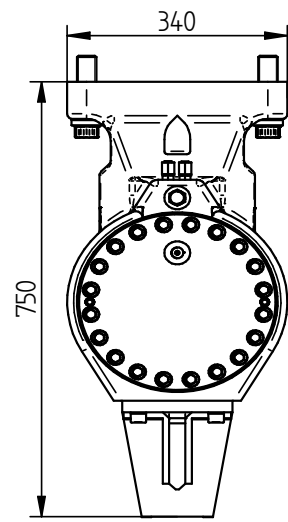
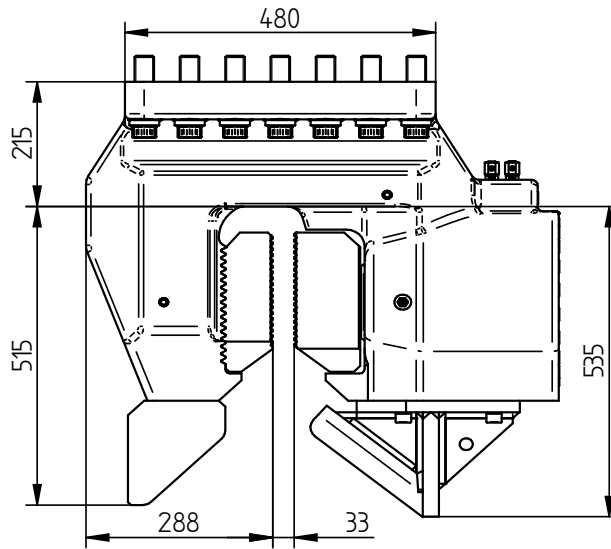
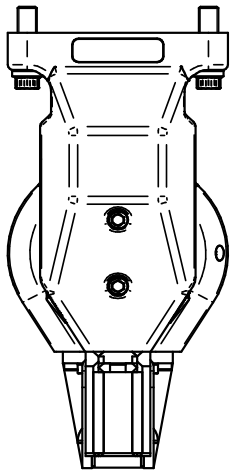
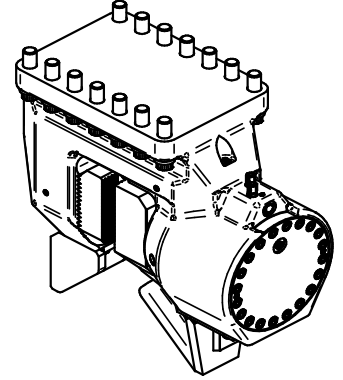
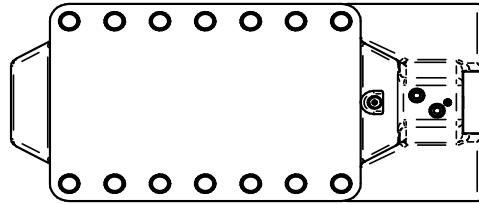
Spundwandzange		
Klemmkraft	1300	kN
Max. Betriebsdruck	320	bar
Max. Druck Zange Offen	180	bar
Gewicht	610	kg



# Spécifications

## PVE 130TU

Pince palplanches



### Spécifications

### PVE 130TU

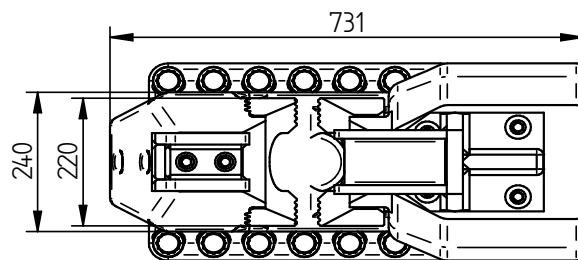
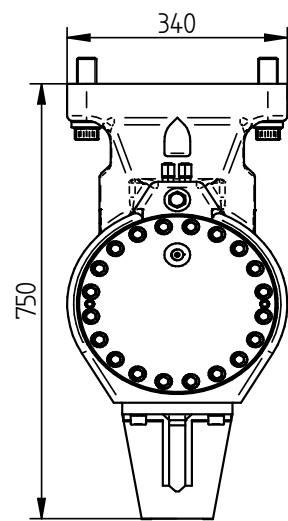
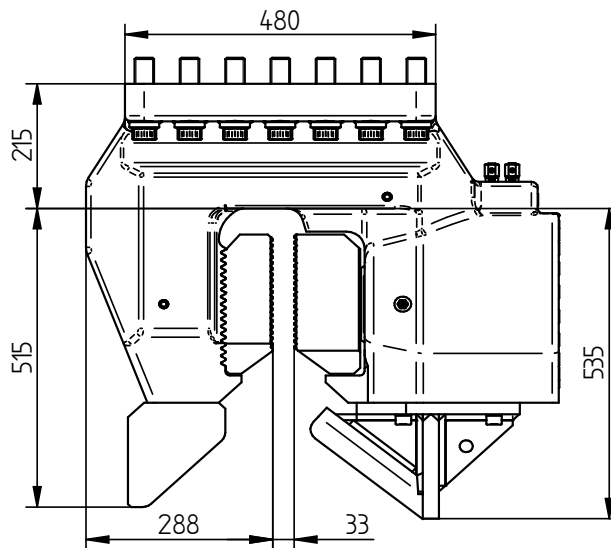
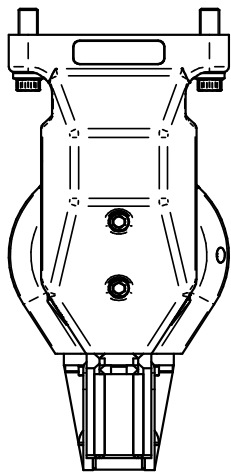
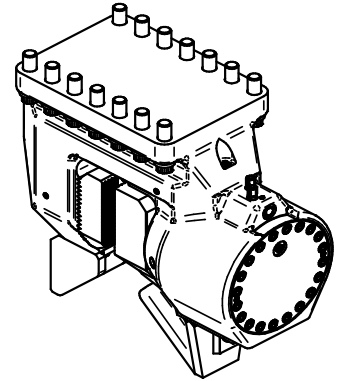
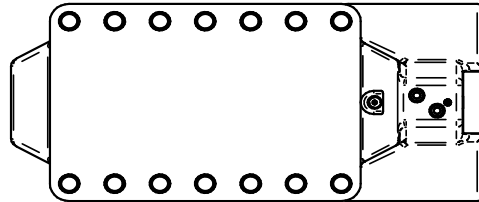
Pince palplanches		
Force de serrage	1300	kN
Pression de travail max.	320	bar
Pression pince ouvert max.	180	bar
Poids	610	kg



# Specificaties

## PVE 130TU

### Damwandklem



### Specificaties

### PVE 130TU

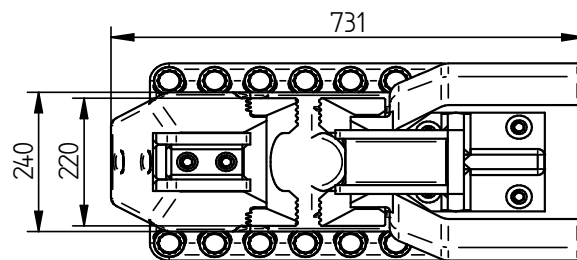
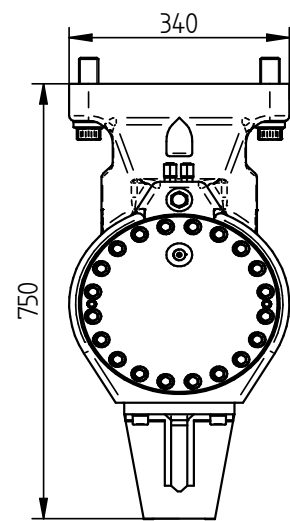
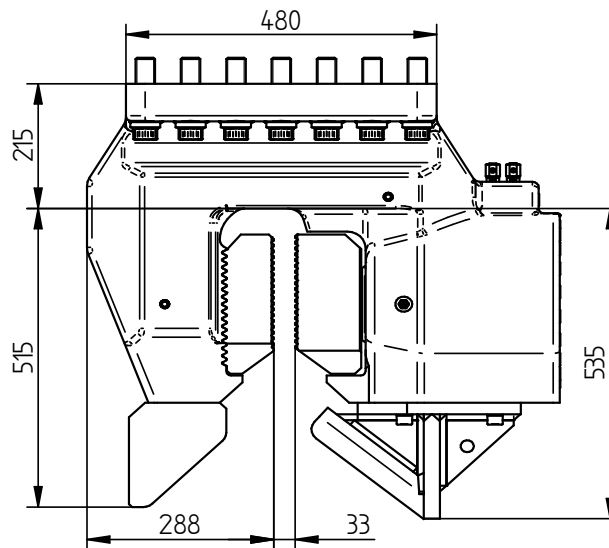
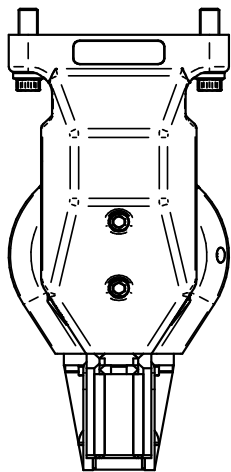
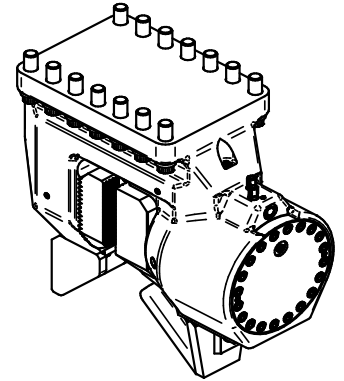
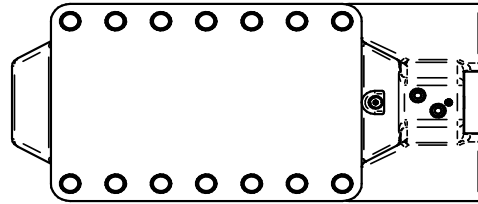
Damwandklem		
Klemkracht	1300	kN
Max. werkdruk	320	bar
Max. klem open druk	180	bar
Gewicht	610	kg



# Specificatii

## PVE 130TU

Menghina pentru palplanse



### Specificatii

### PVE 130TU

Menghina pentru palplanse		
Putere de strangere	1300	kN
Presiunea maxima de lucru	320	bar
Presiunea maxima cu menghina deschisa	180	bar
Greutate	610	kg



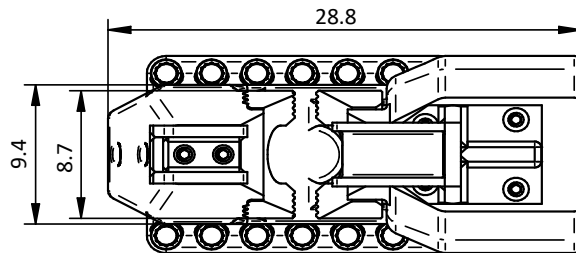
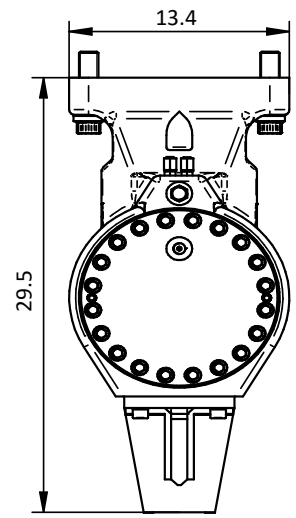
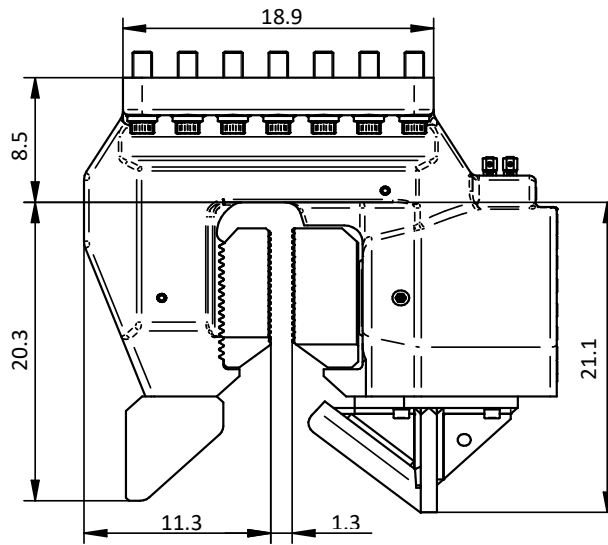
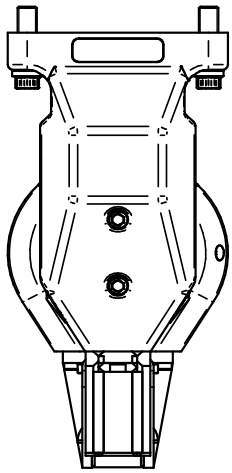
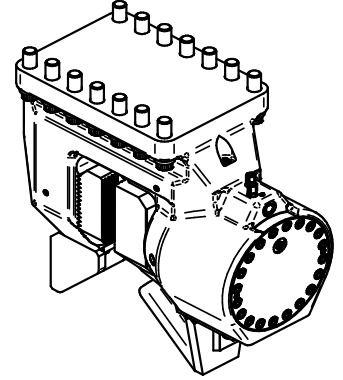
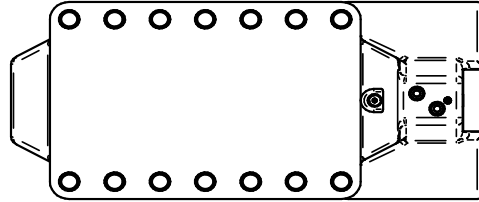
# Specifications

## PVE 130TU

### Sheet pile clamp

USA

INCHES



### Specifications

### PVE 130TU

Sheet pile clamp		
Clamping force	146	ton
Max. operating press.	4,641	psi
Max. clamp open press.	2,611	psi
Weight	1,345	lbs