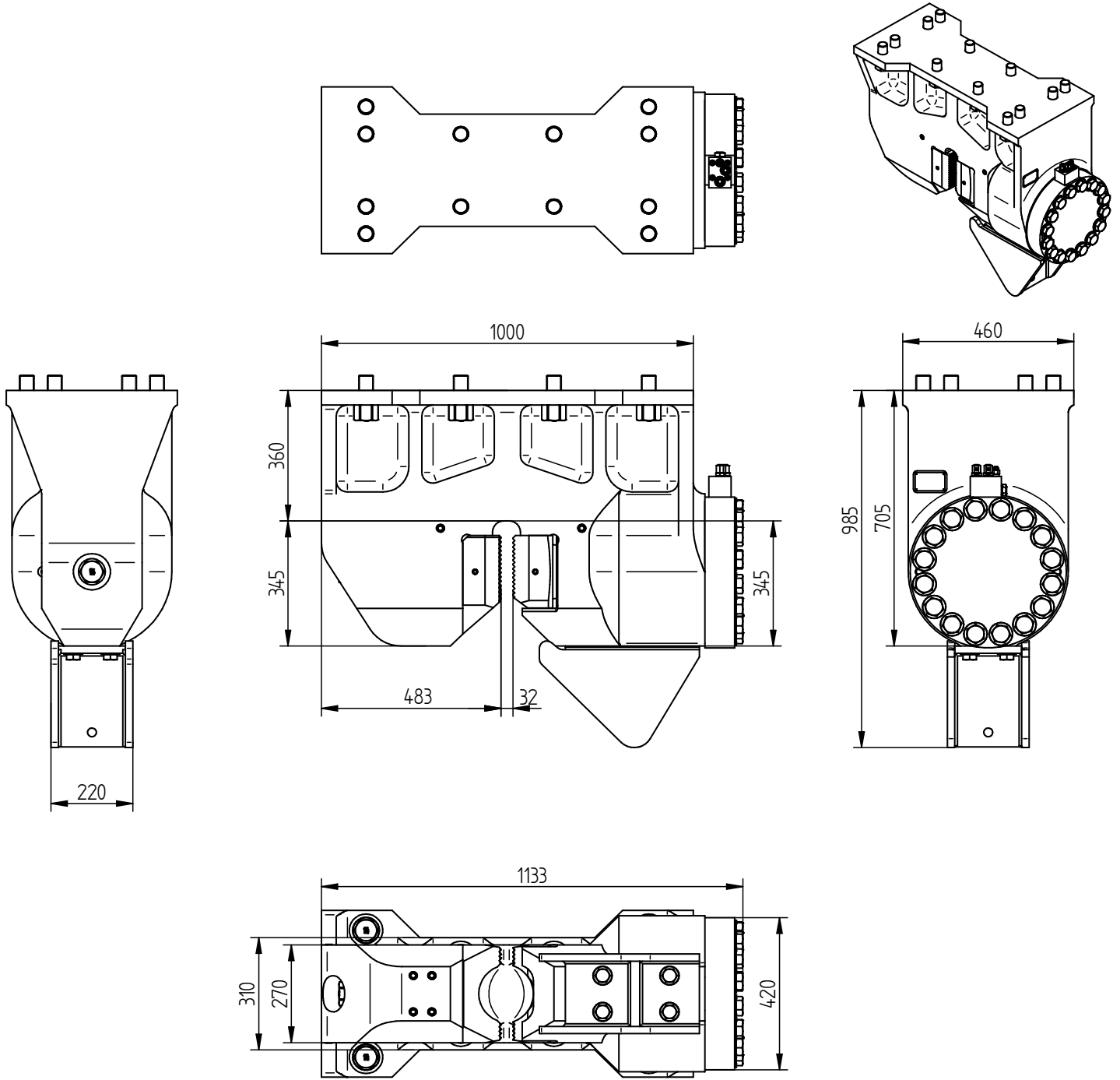




Specification sheet

PVE 150TU

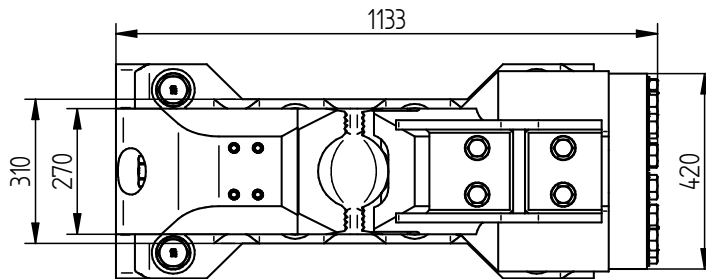
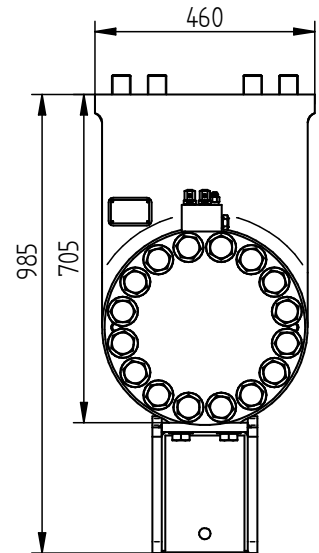
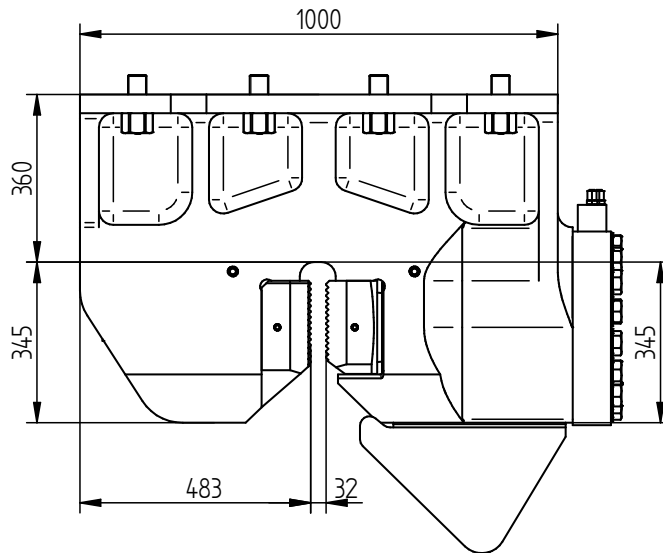
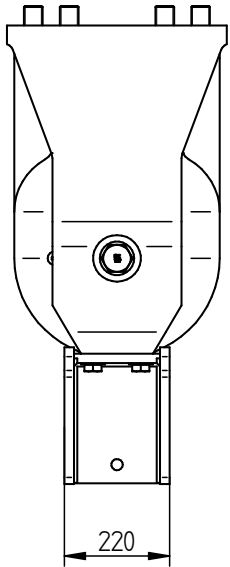
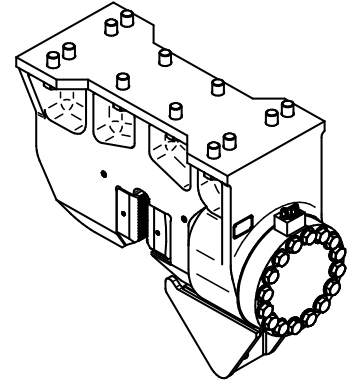
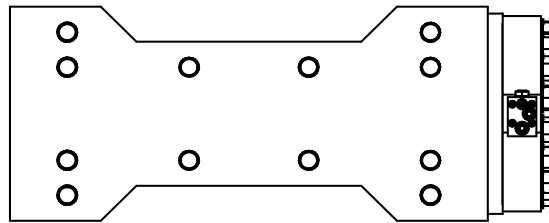
Sheet Pile Clamp



Specifications :

PVE 150TU

Sheet pile clamp		
Clamping force	1500	kN
Max. operating press.	300	bar
Max. clamp open press.	180	bar
Weight	1270	kg



Technische Daten :

PVE 150TU

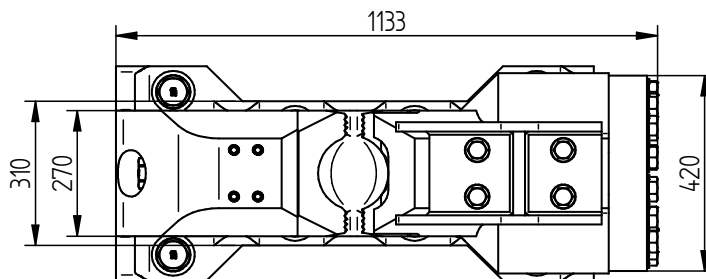
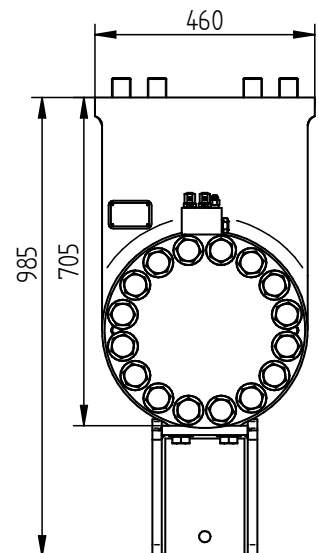
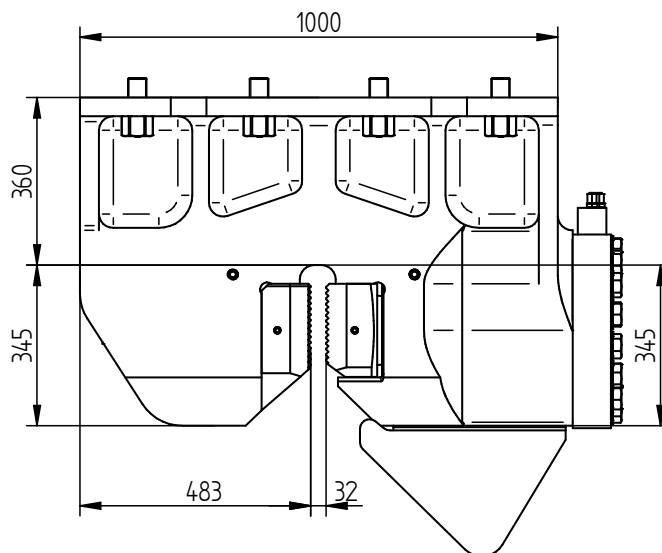
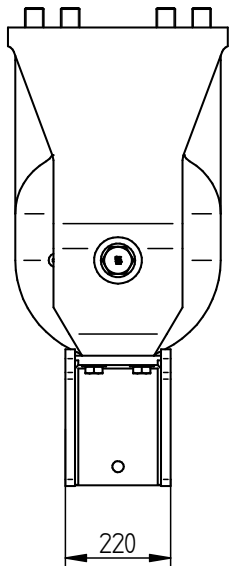
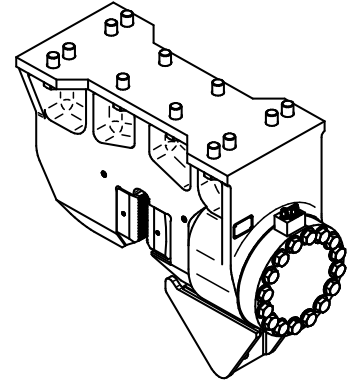
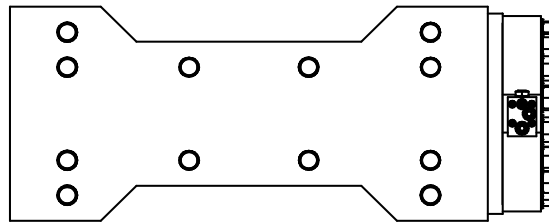
Spundwandzange		
Klemmkraft	1500	kN
Max. Betriebsdruck	300	bar
Max. Druck Zange Offen	180	bar
Gewicht	1270	kg



Spécifications

PVE 150TU

Pince palplanches



Spécifications

PVE 150TU

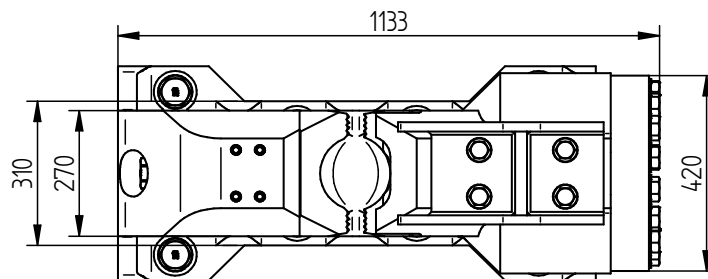
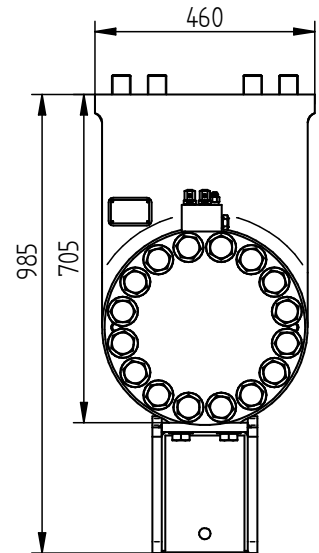
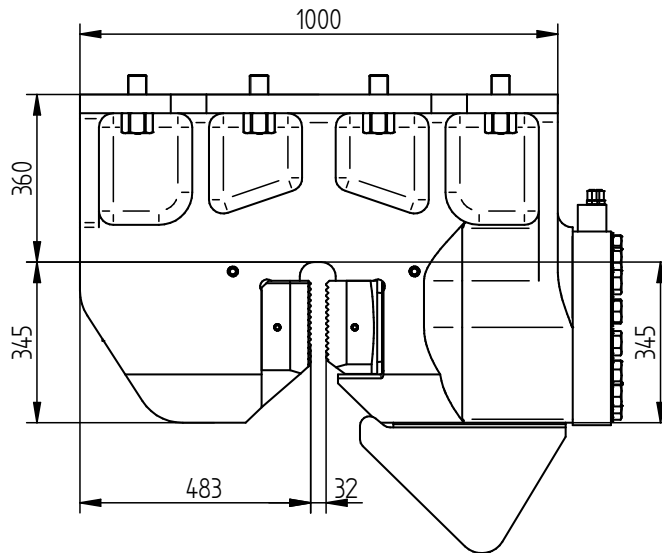
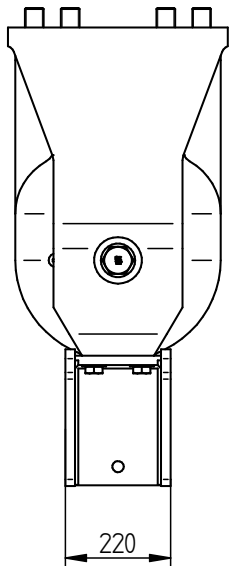
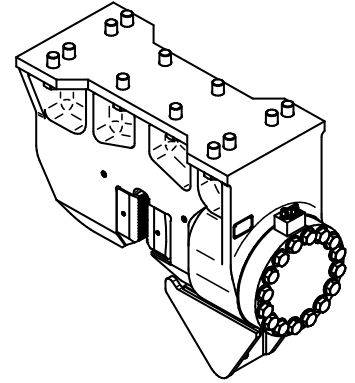
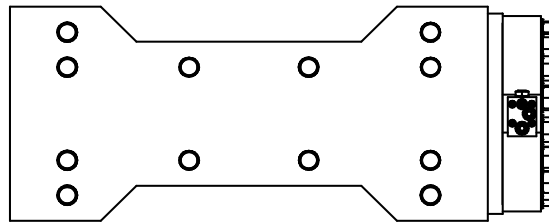
Pince palplanches		
Force de serrage	1500	kN
Pression de travail max.	300	bar
Pression pince ouvert max.	180	bar
Poids	1270	kg



Specificaties

PVE 150TU

Damwandklem



Specificaties

PVE 150TU

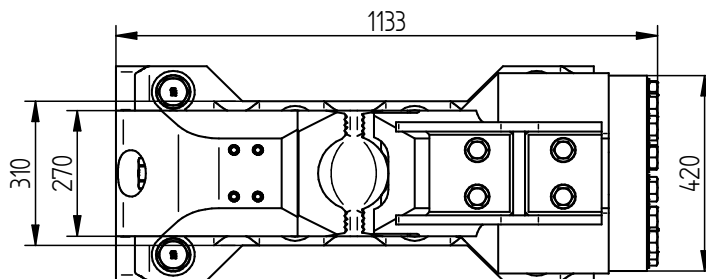
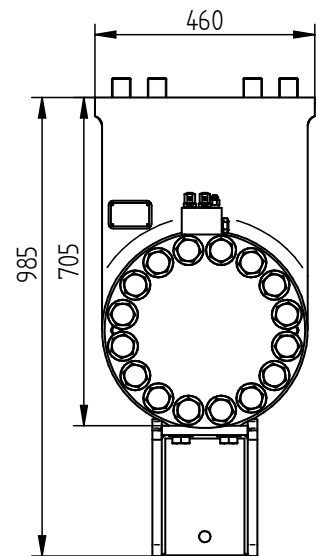
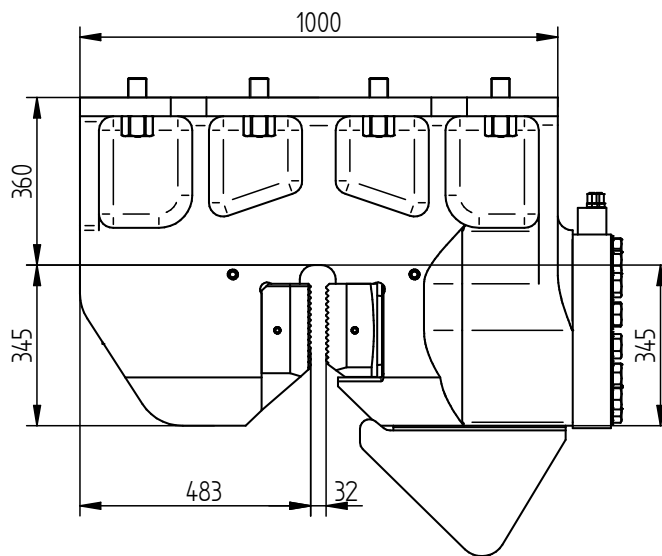
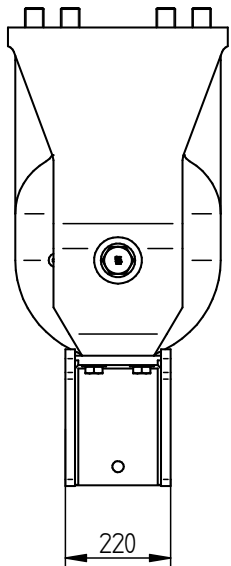
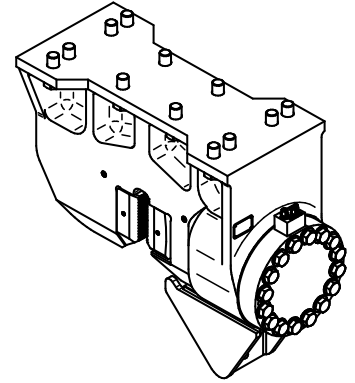
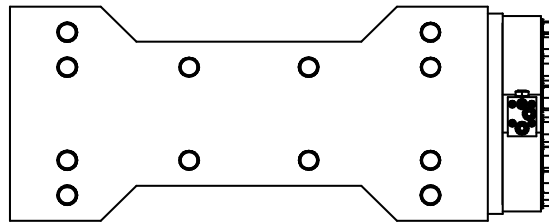
Damwandklem		
Klemkracht	1500	kN
Max. werkdruk	300	bar
Max. klem open druk	180	bar
Gewicht	1270	kg



Specificatii

PVE 150TU

Menghina pentru palplanse



Specificatii

PVE 150TU

Menghina pentru palplanse		
Putere de strangere	1500	kN
Presiunea maxima de lucru	300	bar
Presiunea maxima cu menghina deschisa	180	bar
Greutate	1270	kg



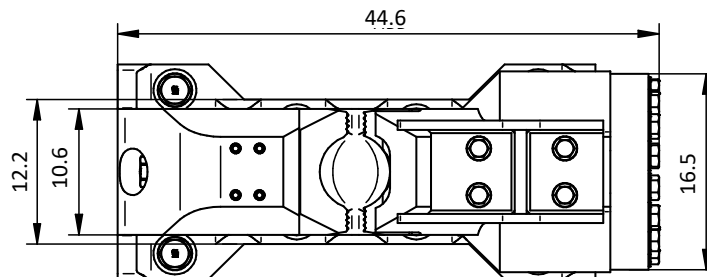
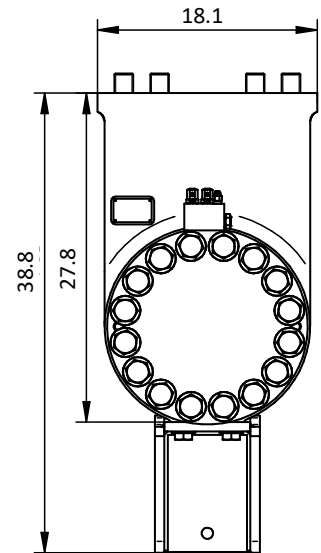
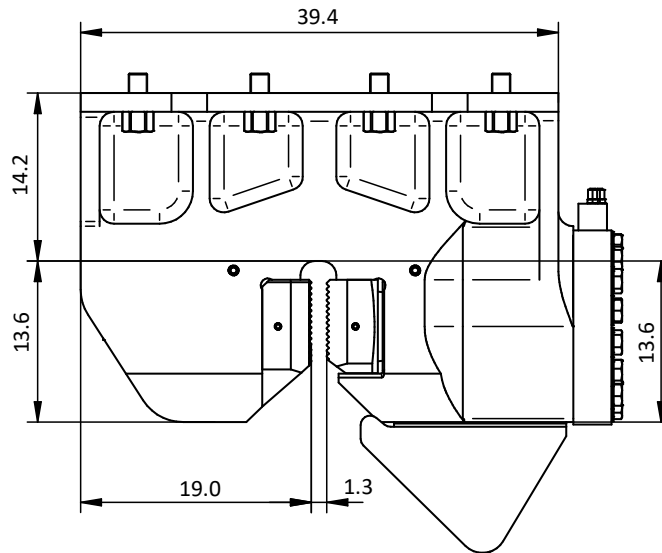
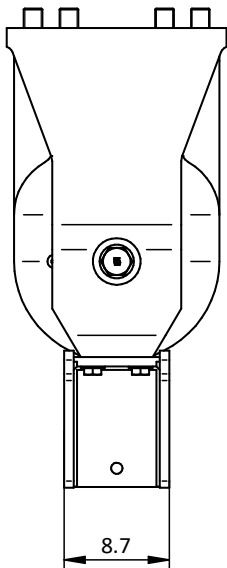
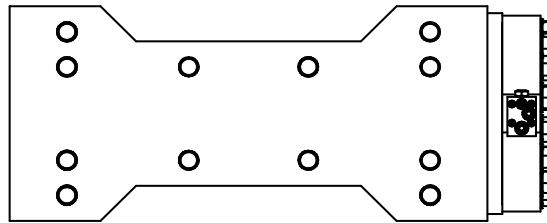
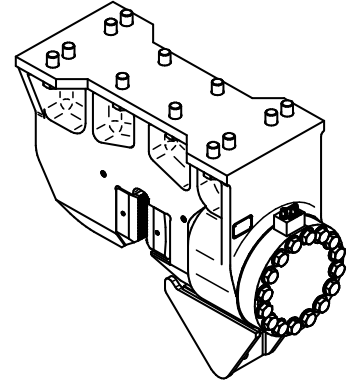
Specifications

PVE 150TU

Sheet pile clamp

USA

INCHES



Specifications

PVE 150TU

Sheet pile clamp		
Clamping force	169	ton
Max. operating press.	4,351	psi
Max. clamp open press.	2,611	psi
Weight	2,800	lbs