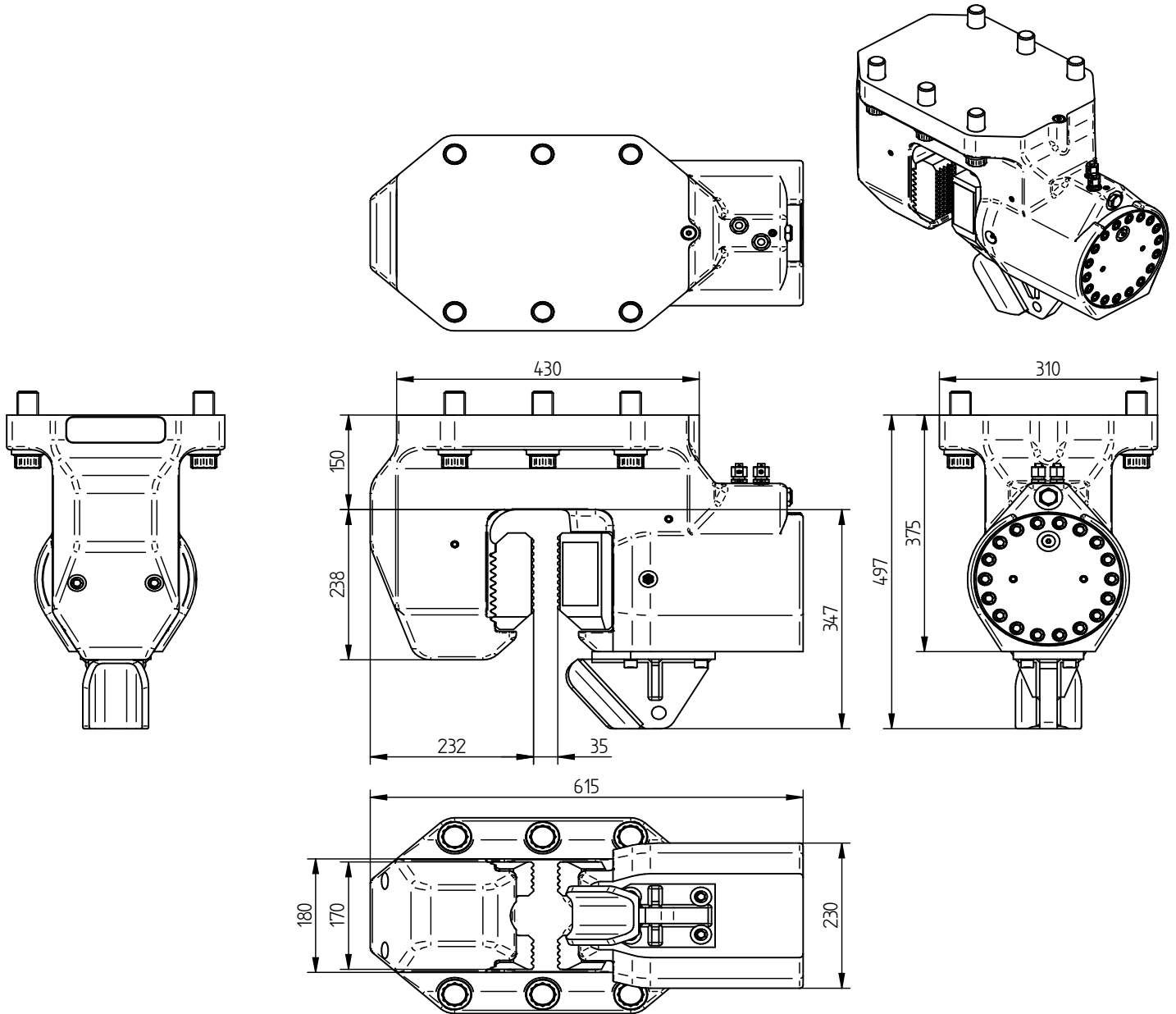




Specification sheet

PVE 60TU

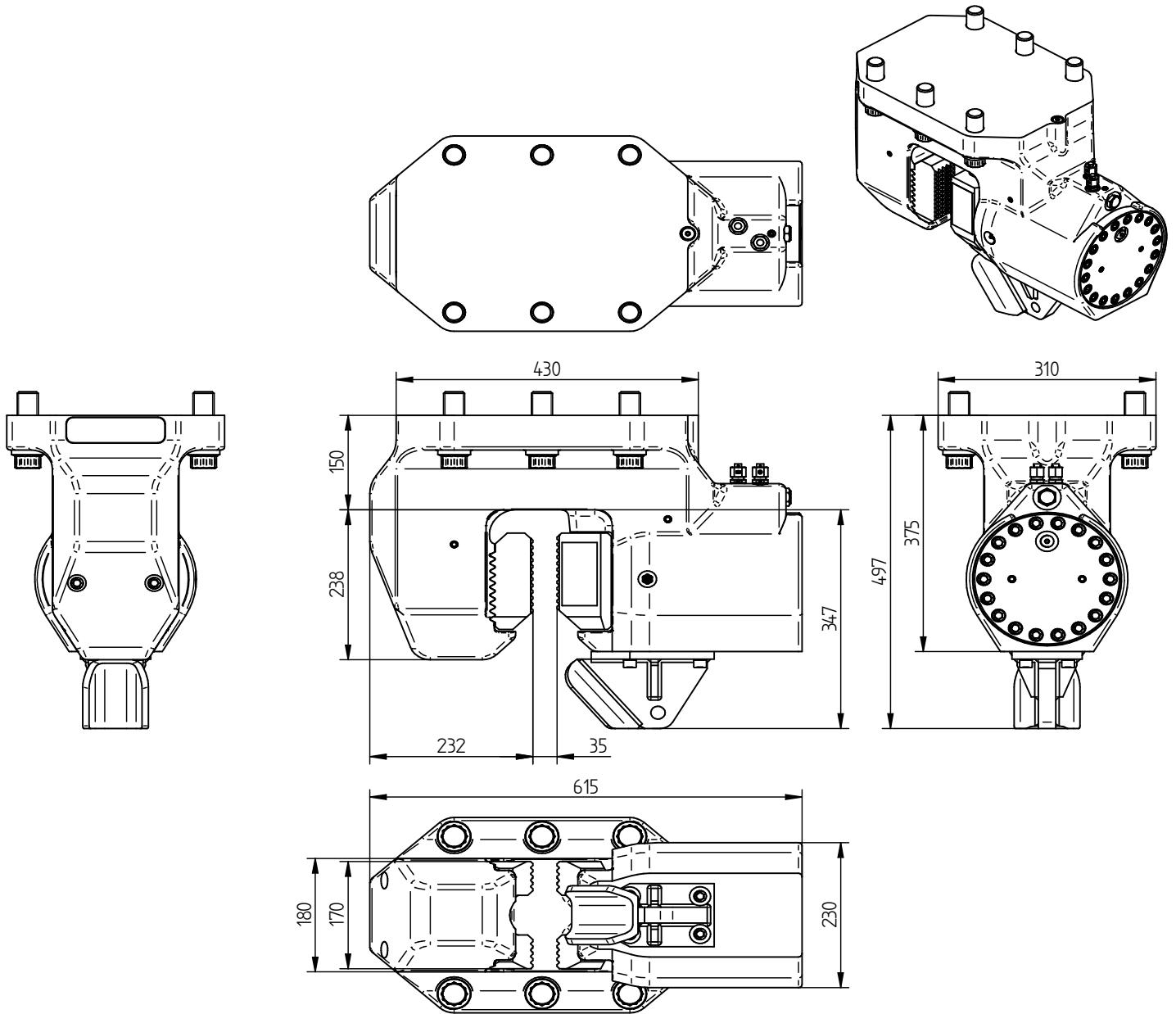
Sheet Pile Clamp



Specifications :

PVE 60TU

Sheet pile clamp		
Clamping force	600	kN
Max. operating press.	320	bar
Max. clamp open press.	180	bar
Weight	250	kg



Technische Daten :

PVE 60TU

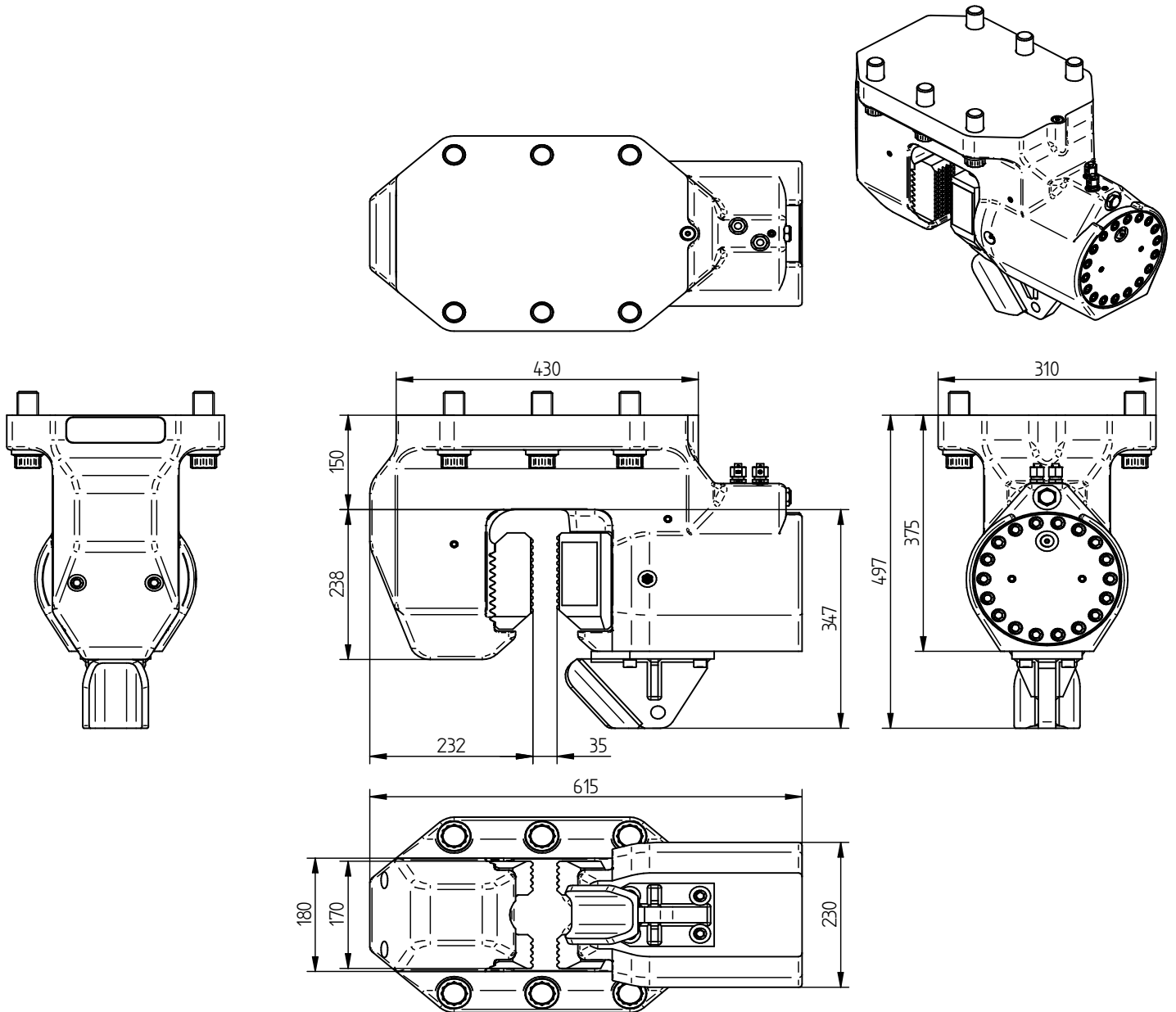
Spundwandzange		
Klemmkraft	600	kN
Max. Betriebsdruck	320	bar
Max. Druck Zange Offen	180	bar
Gewicht	250	kg



Spécifications

PVE 60TU

Pince palplanches



Spécifications

PVE 60TU

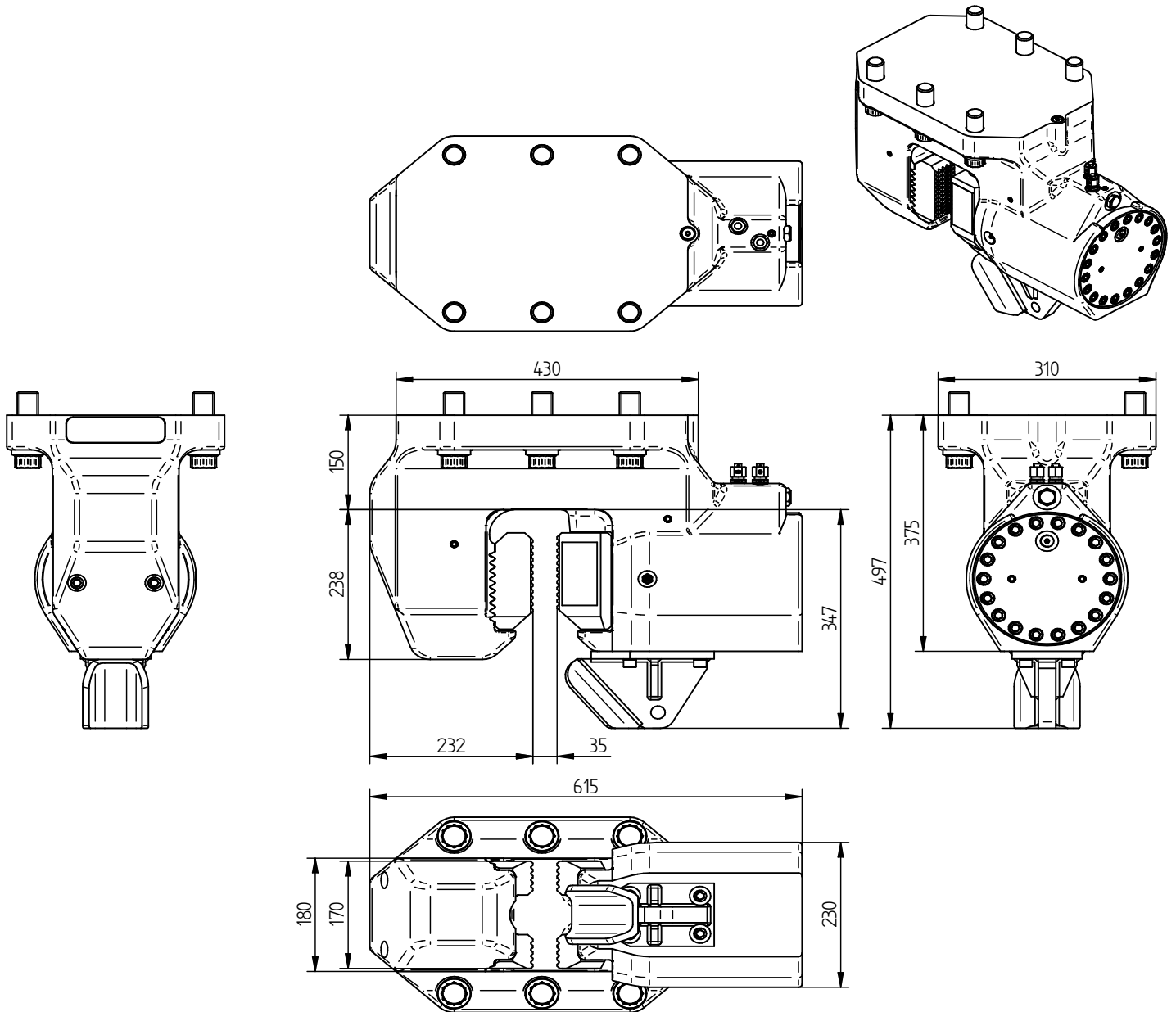
Pince palplanches		
Force de serrage	600	kN
Pression de travail max.	320	bar
Pression pince ouvert max.	180	bar
Poids	250	kg



Specificaties

PVE 60TU

Damwandklem



Specificaties	PVE 60TU	
Damwandklem		
Klemkracht	600	kN
Max. werkdruk	320	bar
Max. klem open druk	180	bar
Gewicht	250	kg

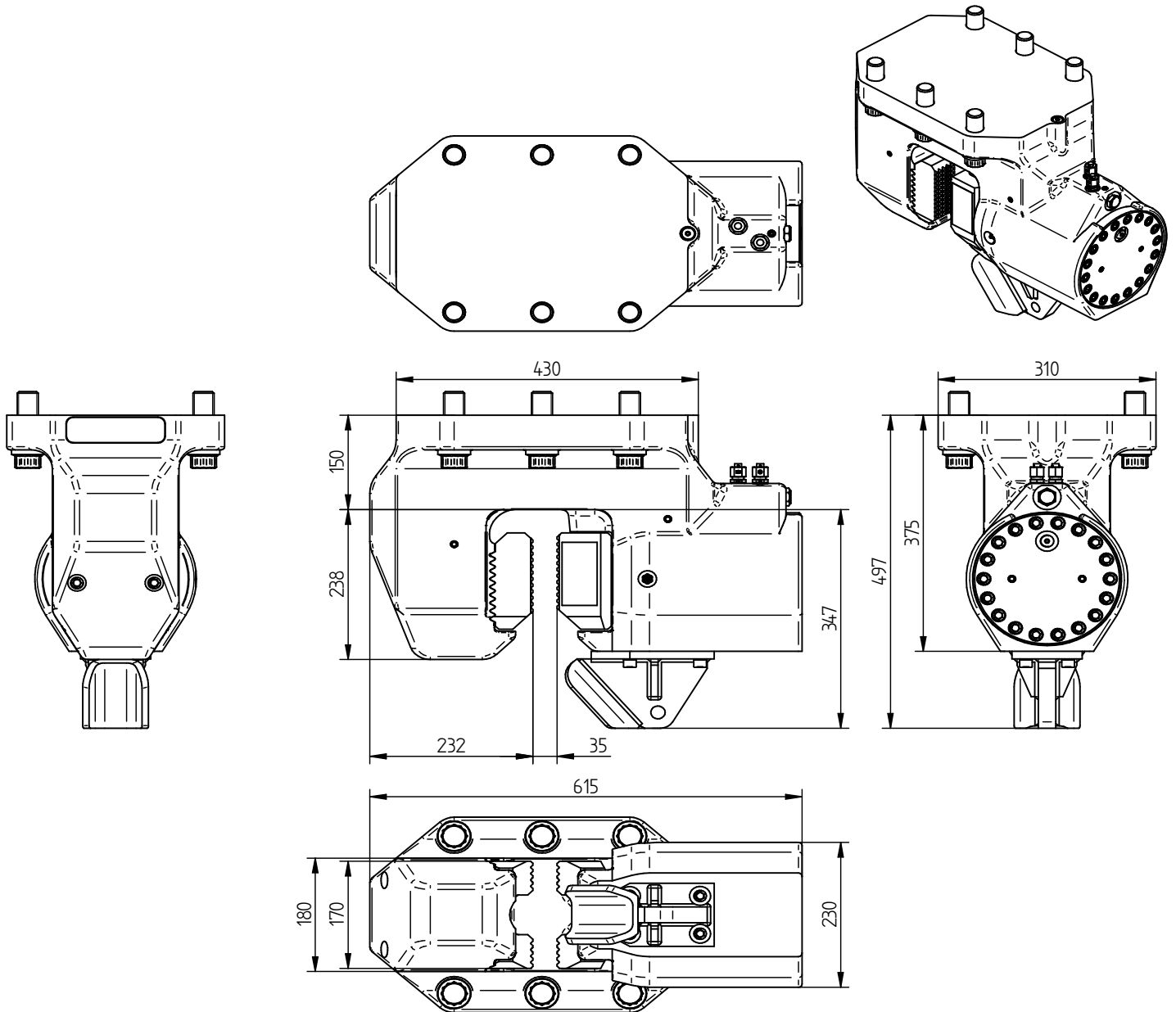


Specificatii

PVE 60TU

Menghina pentru palplanse

Español



Specificatii

PVE 60TU

Menghina pentru palplanse		
Putere de strangere	600	kN
Presiunea maxima de lucru	320	bar
Presiunea maxima cu menghina deschisa	180	bar
Greutate	250	kg



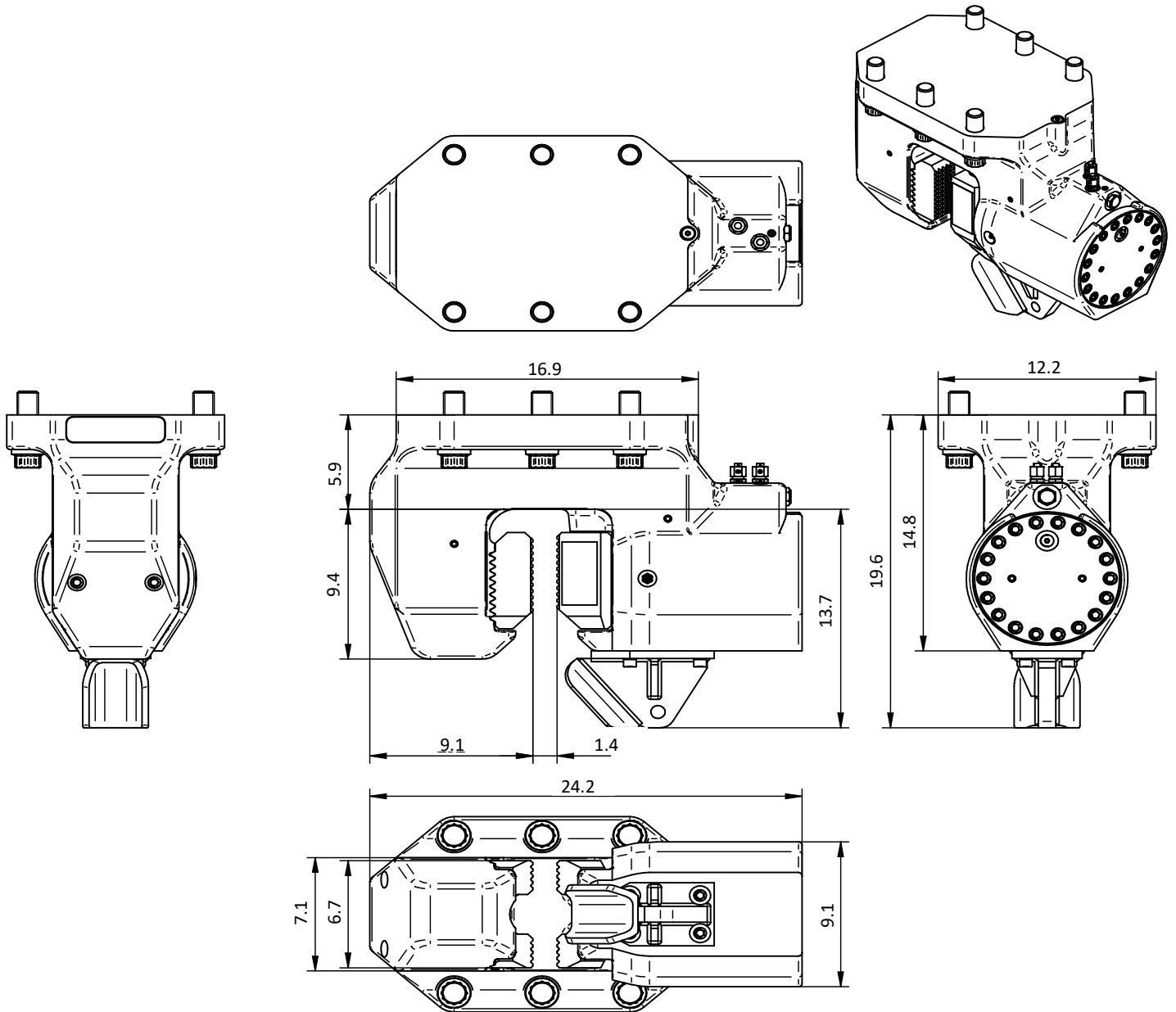
Specifications

PVE 60TU

Sheet pile clamp

USA

INCHES



Specifications

PVE 60TU

Sheet pile clamp		
Clamping force	67	ton
Max. operating press.	4,641	psi
Max. clamp open press.	2,611	psi
Weight	551	lbs