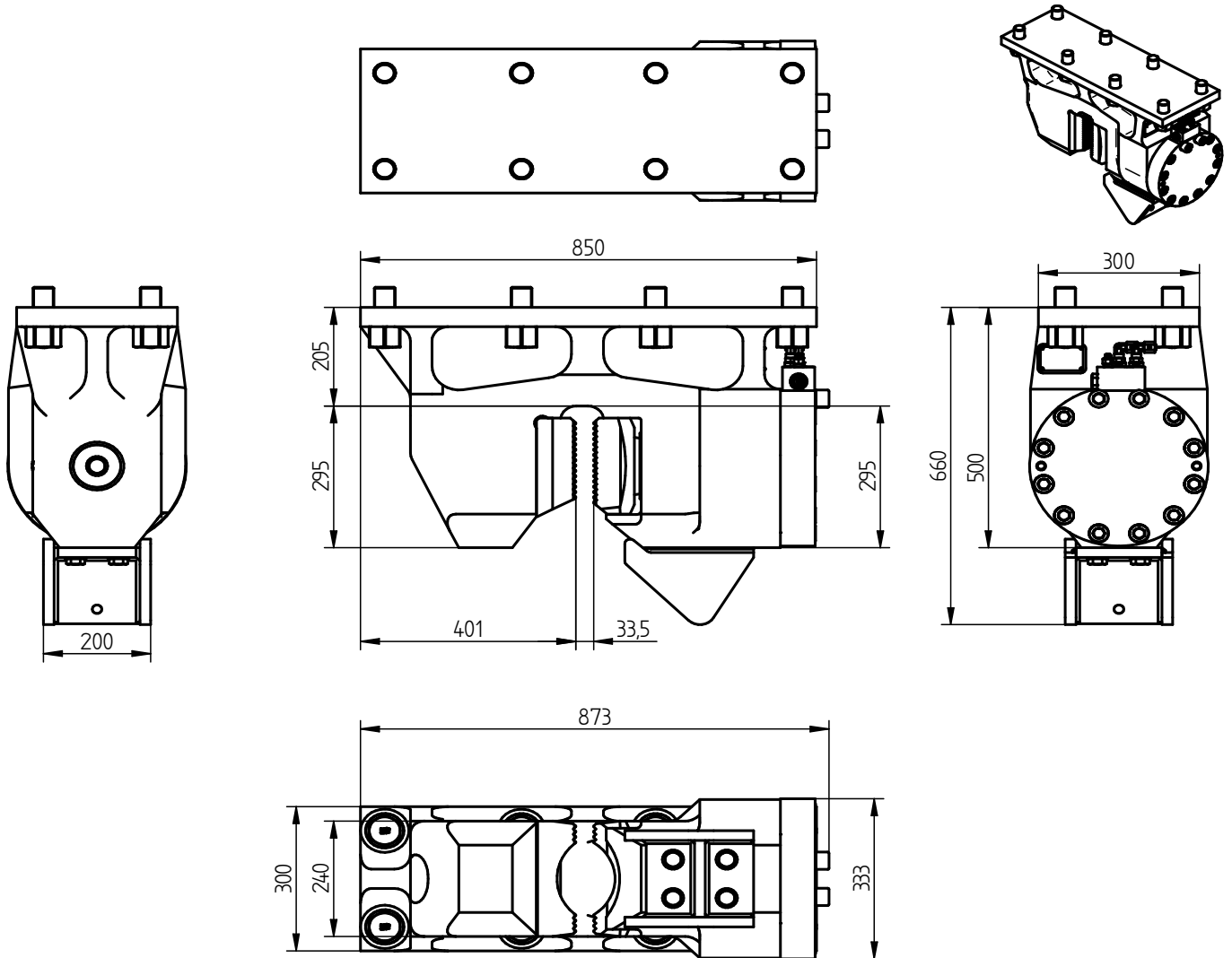




# Specification sheet

## PVE 85TU

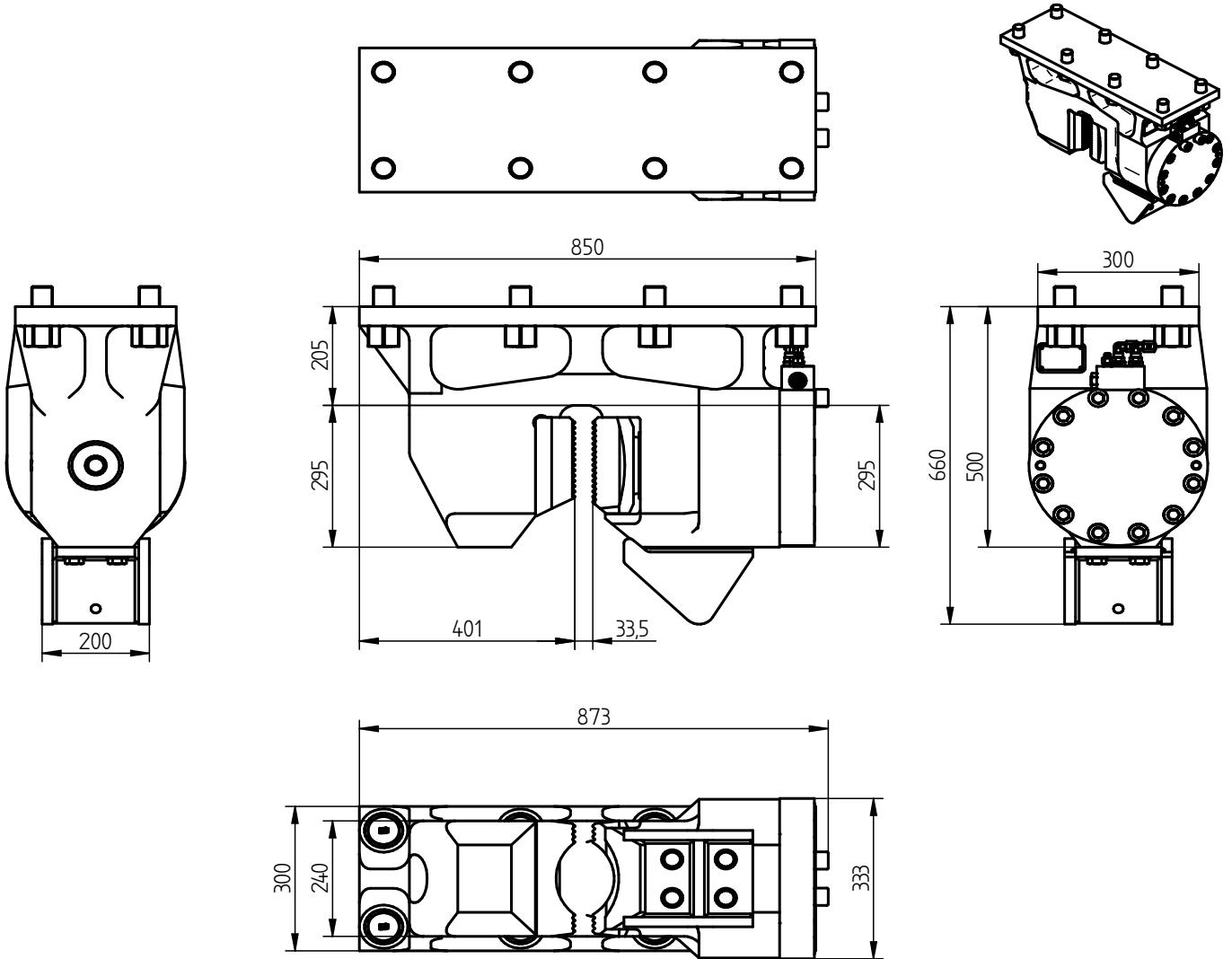
### Sheet Pile Clamp



#### Specifications :

#### PVE 85TU

Sheet pile clamp		
Clamping force	850	kN
Max. operating press.	300	bar
Max. clamp open press.	180	bar
Weight	600	kg



#### Technische Daten :

#### PVE 85TU

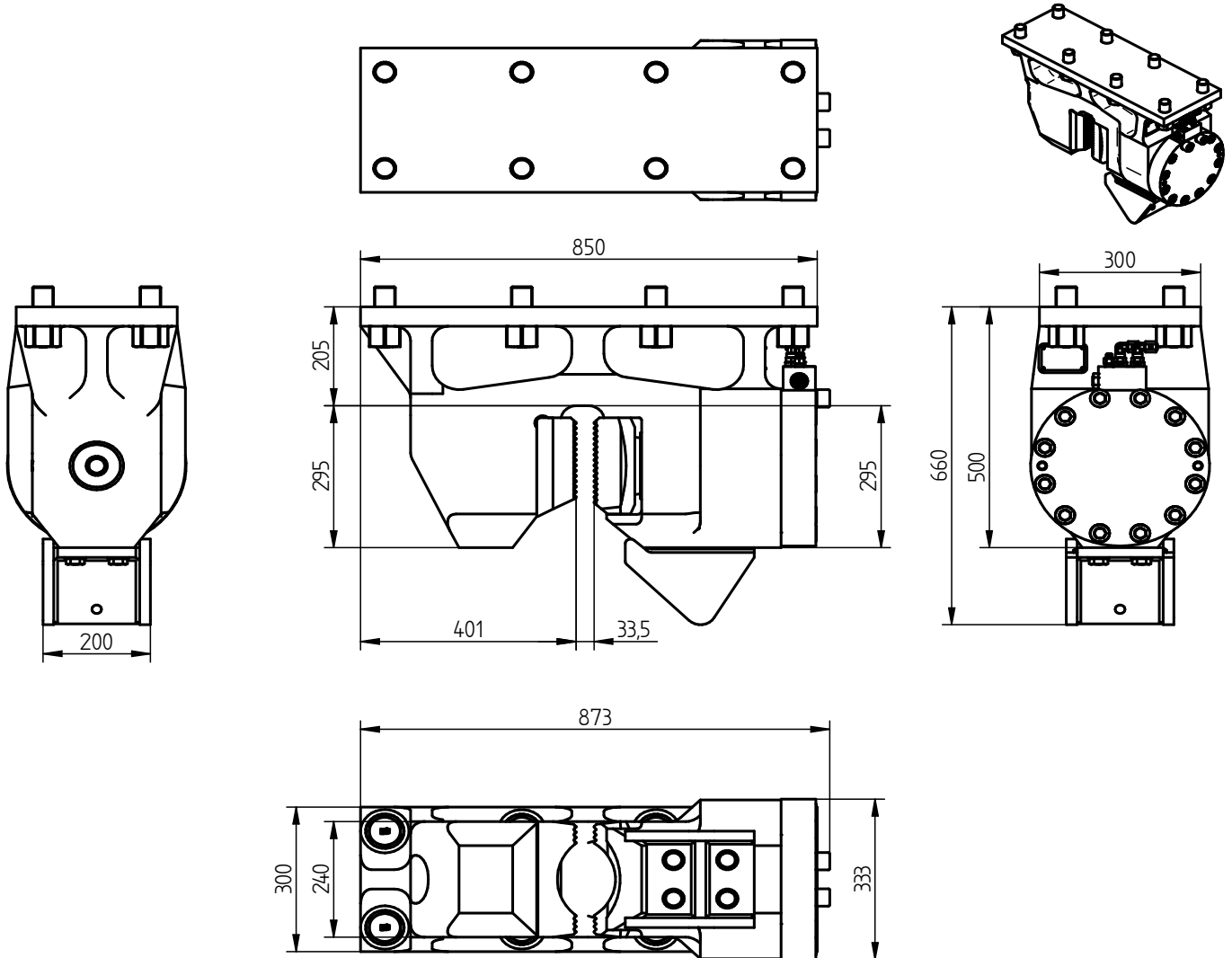
Spundwandzange		
Klemmkraft	850	kN
Max. Betriebsdruck	300	bar
Max. Druck Zange Offen	180	bar
Gewicht	600	kg



# Spécifications

## PVE 85TU

Pince palplanches



### Spécifications

### PVE 85TU

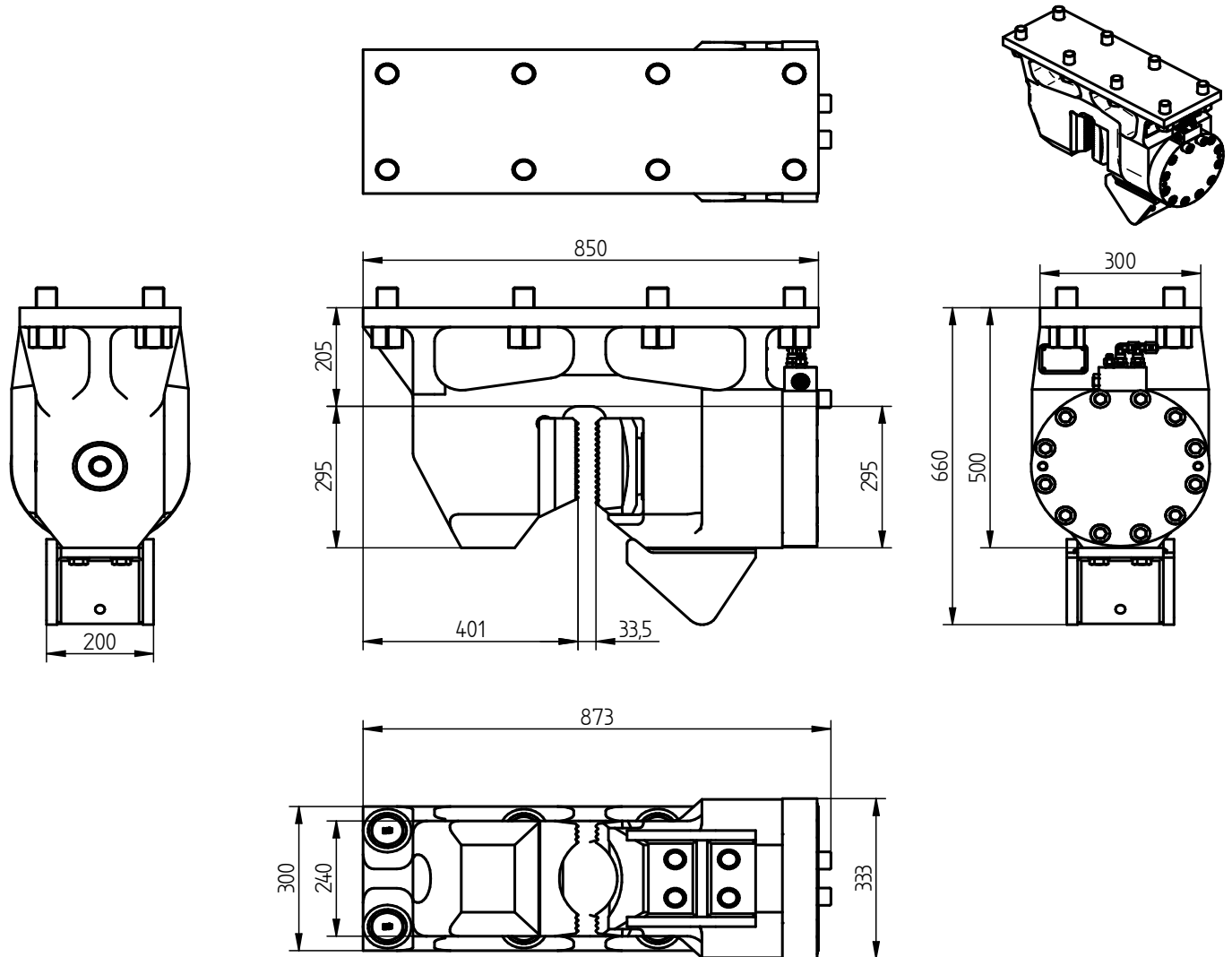
Pince palplanches		
Force de serrage	850	kN
Pression de travail max.	300	bar
Pression pince ouvert max.	180	bar
Poids	600	kg



# Specificaties

## PVE 85TU

Damwandklem



### Specificaties

### PVE 85TU

Specificaties	PVE 85TU	
Damwandklem		
Klemkracht	850	kN
Max. werkdruk	300	bar
Max. klem open druk	180	bar
Gewicht	600	kg

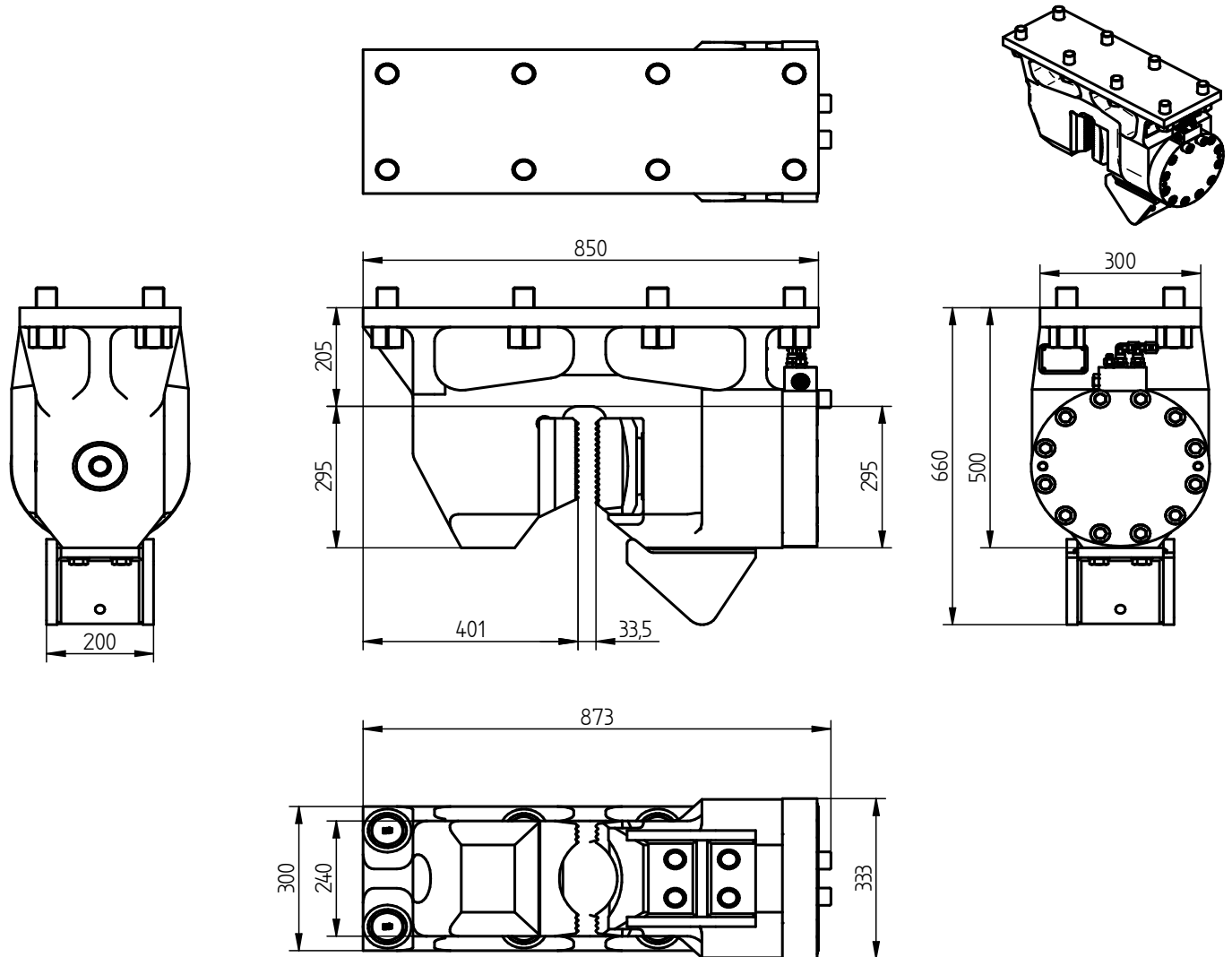


## Specificatii

## PVE 85TU

Menghina pentru palplanse

Español



## Specificatii

## PVE 85TU

Menghina pentru palplanse		
Putere de strangere	850	kN
Presiunea maxima de lucru	300	bar
Presiunea maxima cu menghina deschisa	180	bar
Greutate	600	kg



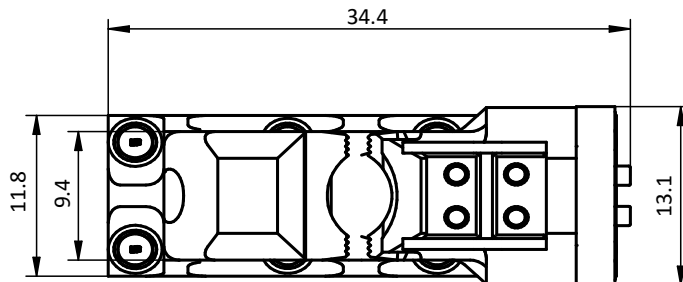
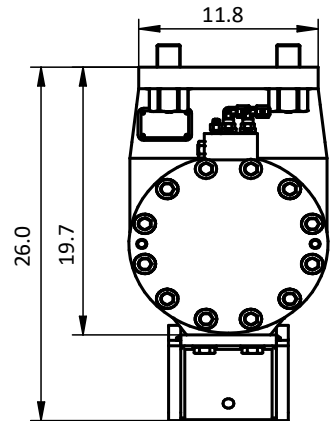
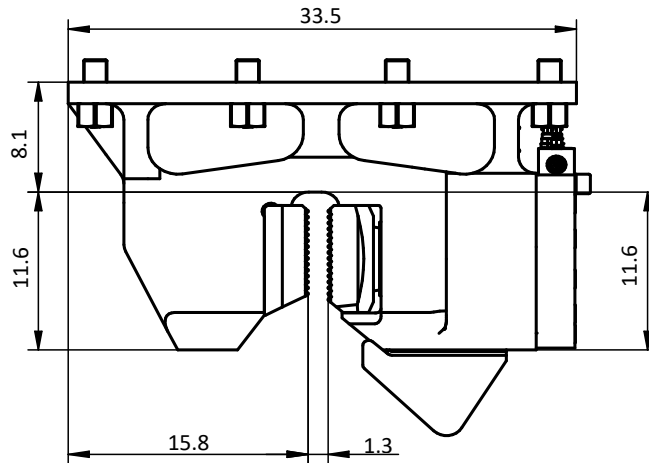
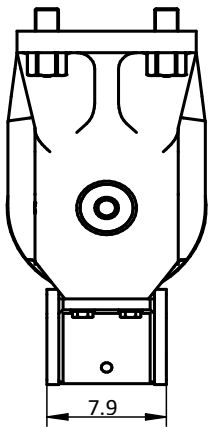
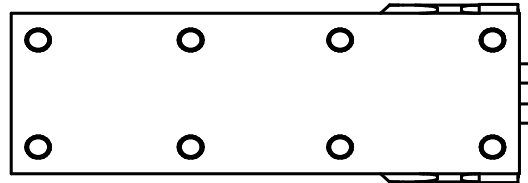
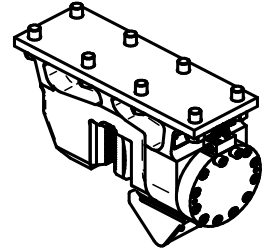
# Specifications

## PVE 85TU

### Sheet pile clamp

USA

INCHES



### Specifications

### PVE 85TU

Sheet pile clamp		
Clamping force	96	ton
Max. operating press.	4,351	psi
Max. clamp open press.	2,611	psi
Weight	1,323	lbs