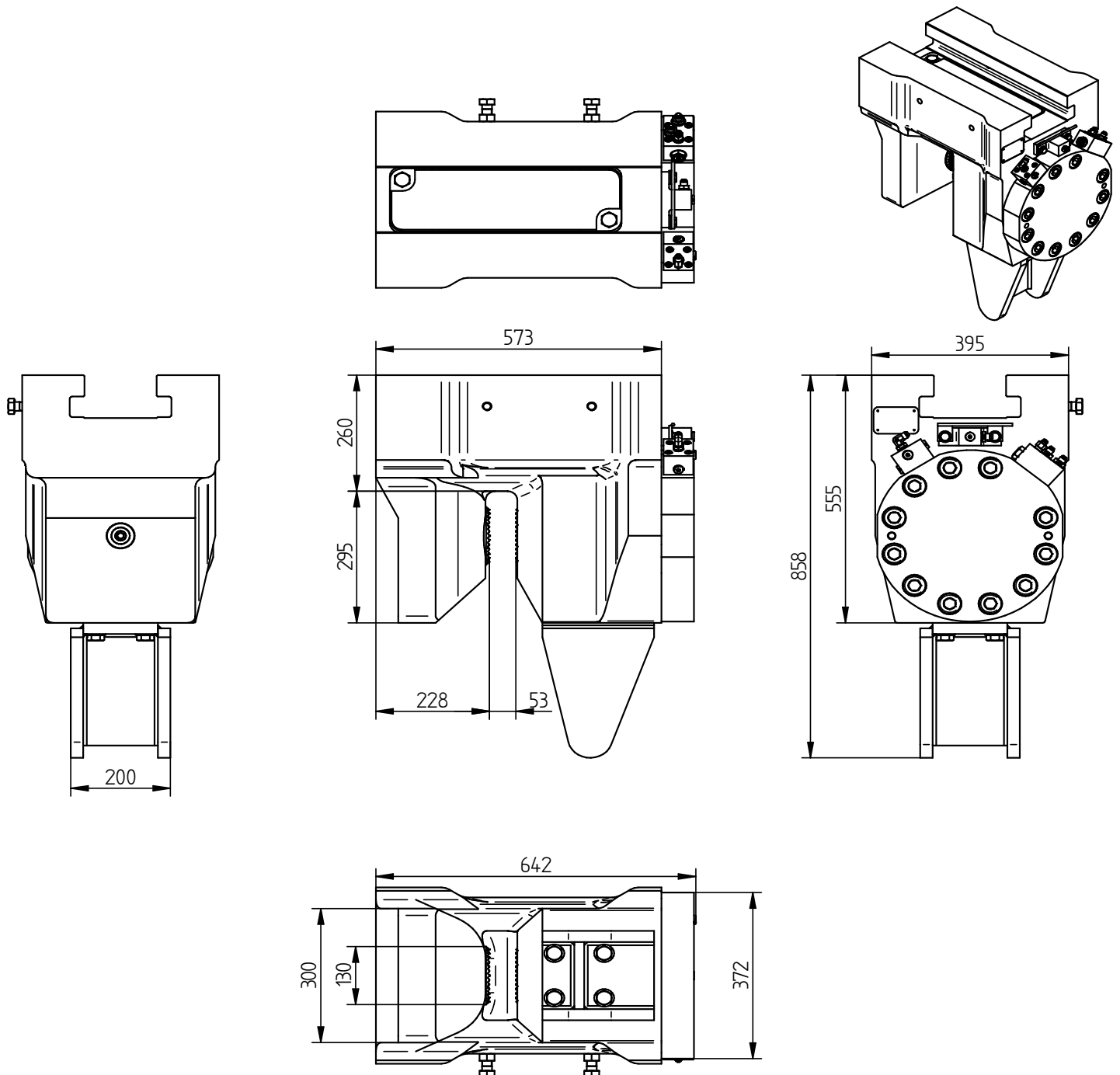


Specifications :

ICE 100TC

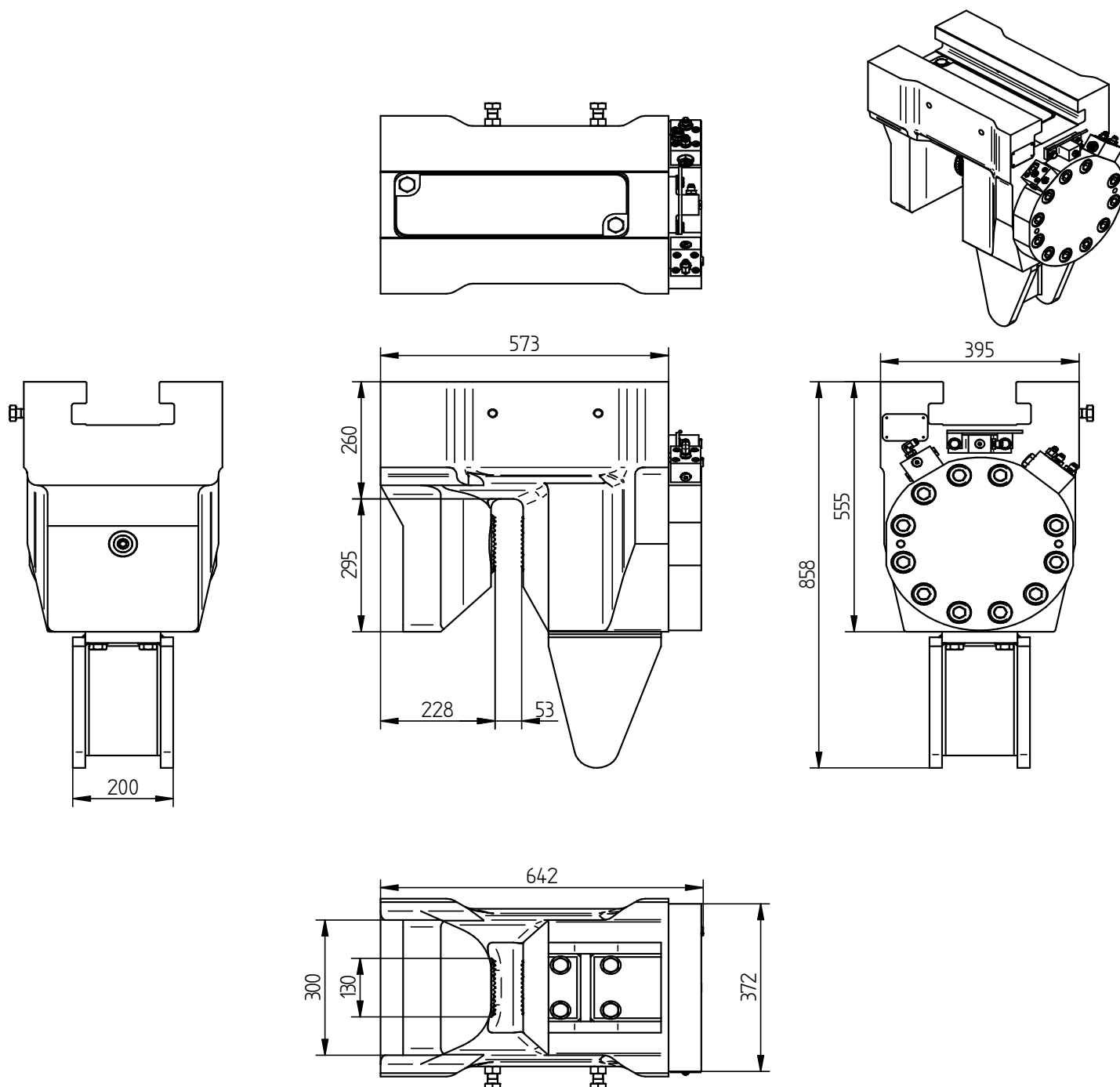
| | | |
|------------------------|------|-----|
| Tube pile clamp | | |
| Clamping force | 1000 | kN |
| Max. operating press. | 300 | bar |
| Max. clamp open press. | 180 | bar |
| Min. Inner diameter | 480 | mm |
| Weight | 690 | kg |



Technische Daten :

ICE 100TC

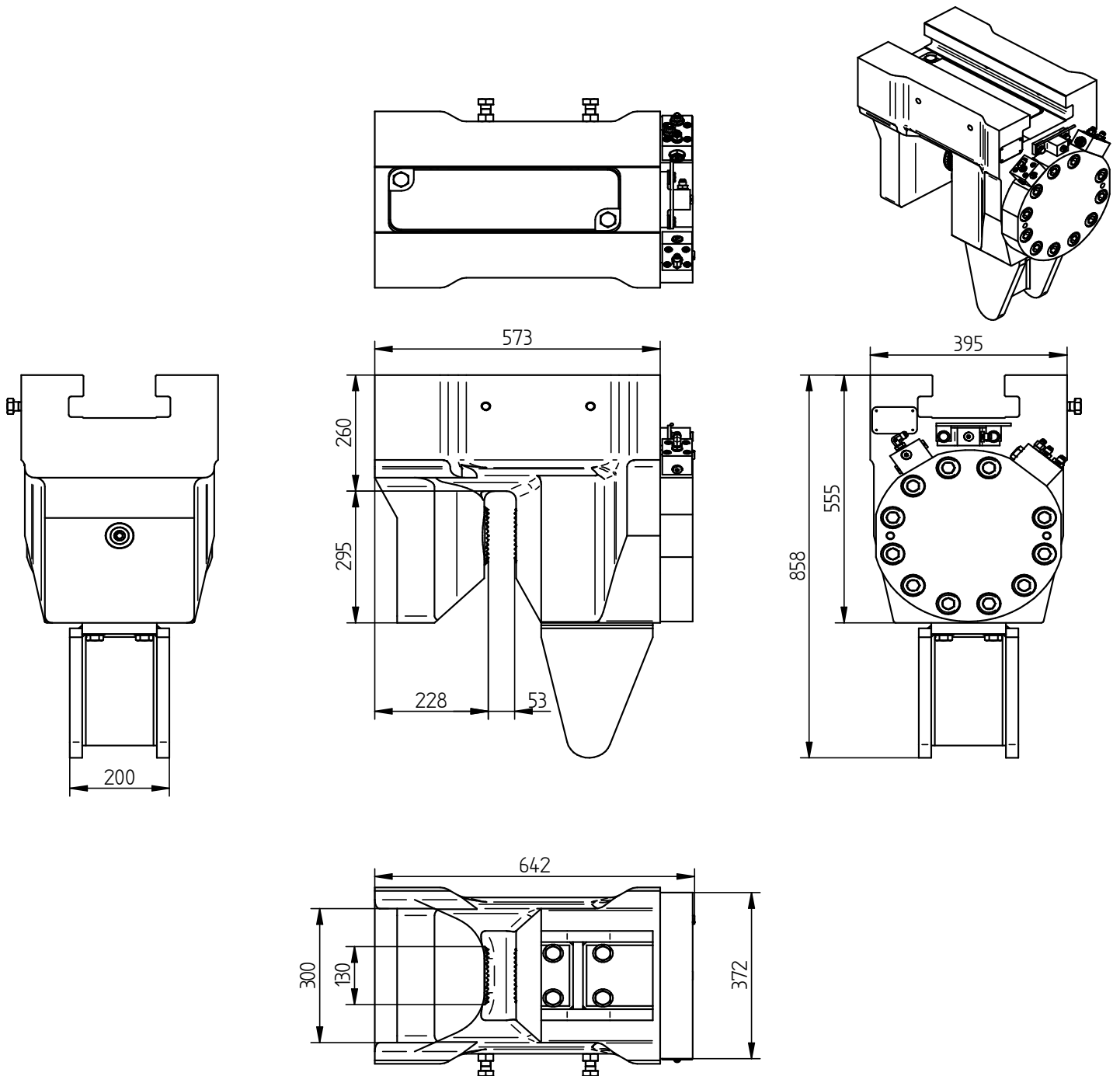
| | | |
|-----------------------------|------|-----|
| Rohrzange | | |
| Klemmkraft | 1000 | kN |
| Max. Betriebsdruck | 300 | bar |
| Max. Druck Zange Offen | 180 | bar |
| Min. Rohr inner durchmesser | 480 | mm |
| Gewicht | 690 | kg |



Spécifications

ICE 100TC

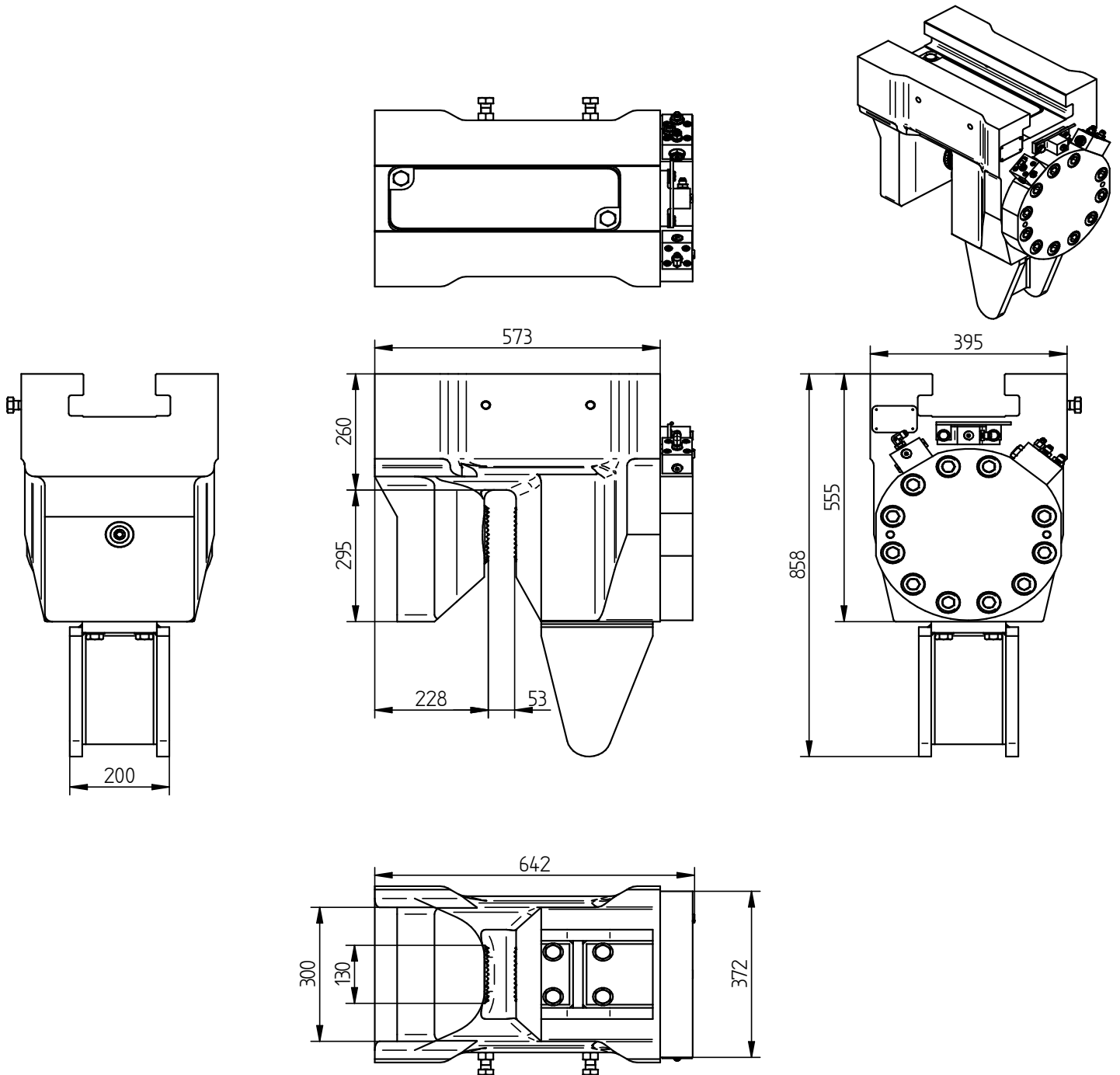
| | | |
|----------------------------|------|-----|
| Pince tube | | |
| Force de serrage | 1000 | kN |
| Pression de travail max. | 300 | bar |
| Pression pince ouvert max. | 180 | bar |
| Diamètre tube dedans min. | 480 | mm |
| Poids | 690 | kg |



Specificaties

ICE 100TC

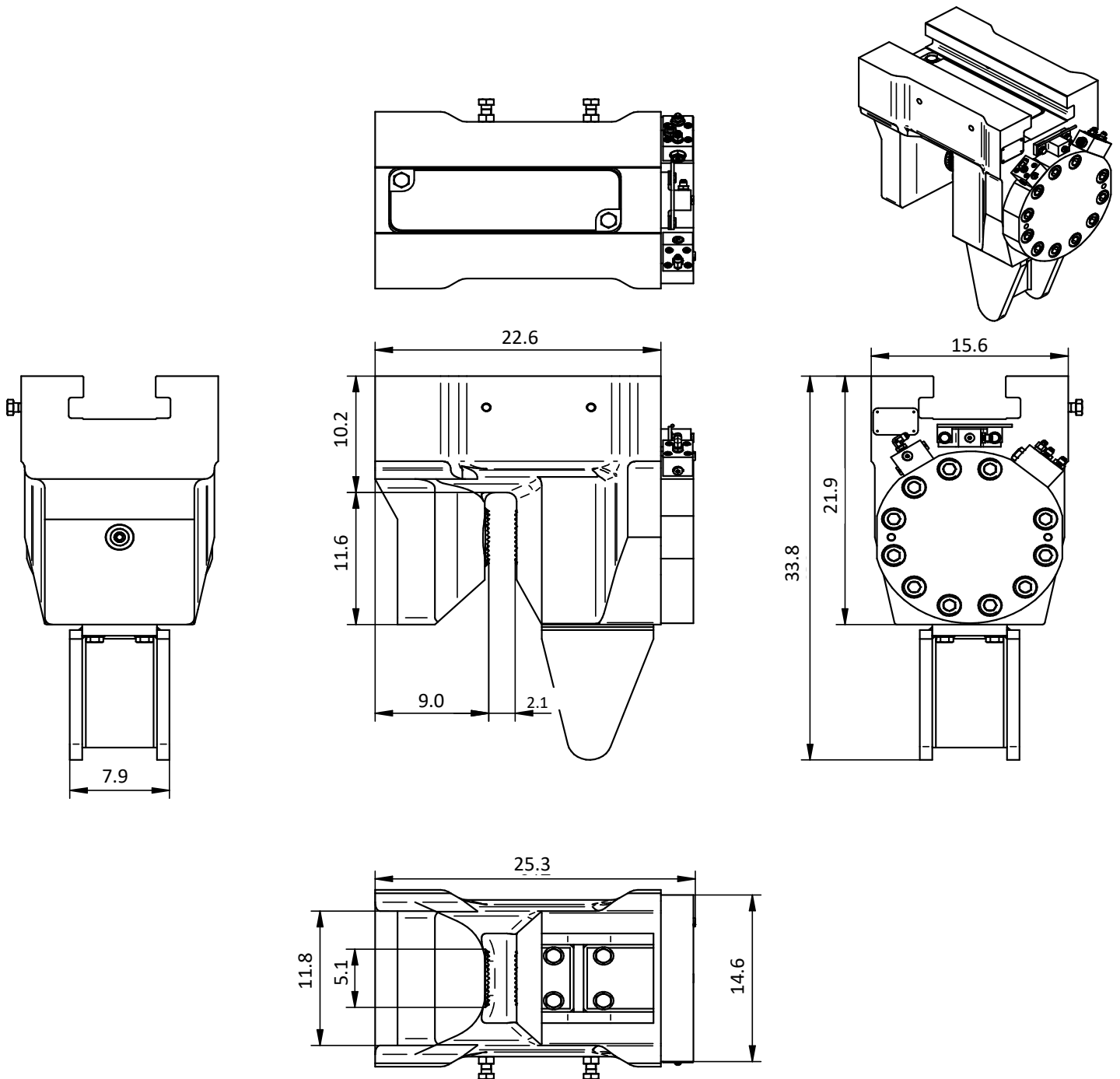
| | | |
|---------------------------|------|-----|
| Damwandklem | | |
| Klemkracht | 1000 | kN |
| Max. werkdruk | 300 | bar |
| Max. klem open druk | 180 | bar |
| Min. buis binnen diameter | 480 | mm |
| Gewicht | 690 | kg |



Specificatii

ICE 100TC

| | | |
|---|------|-----|
| Menhina pentru tuburi | | |
| Forta de strangere | 1000 | kN |
| Presiune maxima de lucru | 300 | bar |
| Presiunea maxima de prindere a menhinei | 180 | bar |
| Diametru min. tub în interior | 480 | mm |
| Greutate | 690 | kg |



Specifications

ICE 100TC

| | | |
|------------------------|-------|------|
| Tube pile clamp | | |
| Clamping force | 112 | ton |
| Max. operating press. | 4,351 | psi |
| Max. clamp open press. | 2,611 | psi |
| Min. Inner diameter | 19 | inch |
| Weight | 1,521 | lbs |