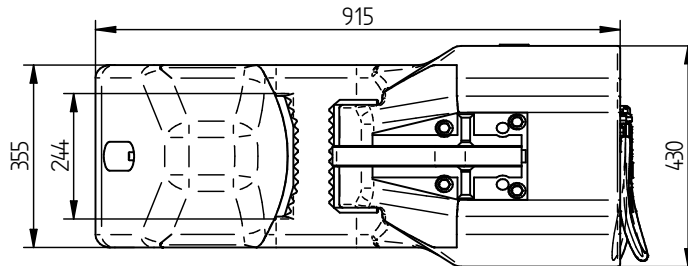
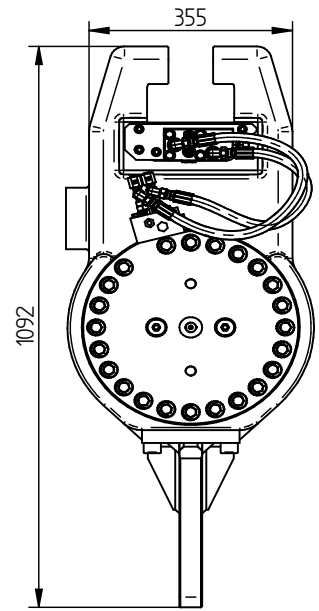
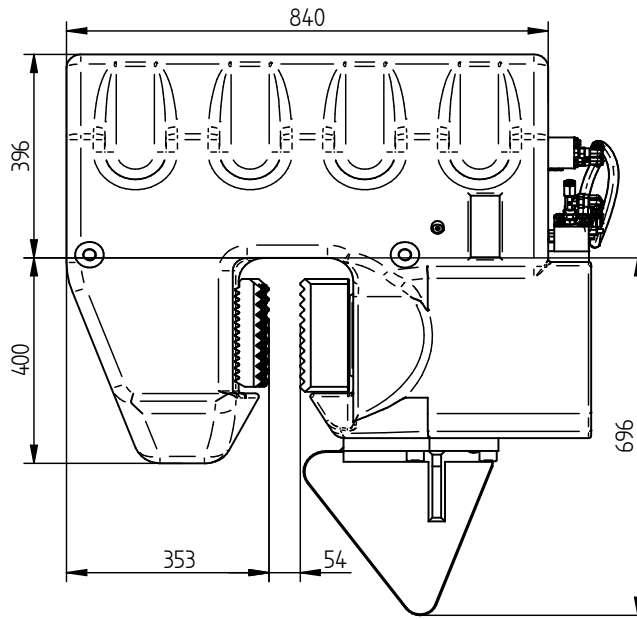
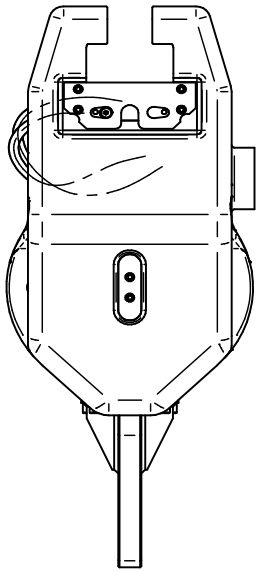
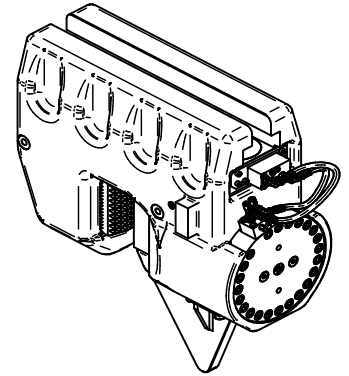
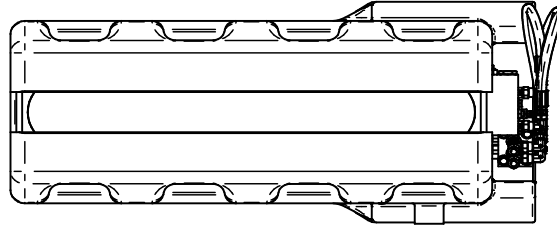




# Specification sheet

## PVE 200TC

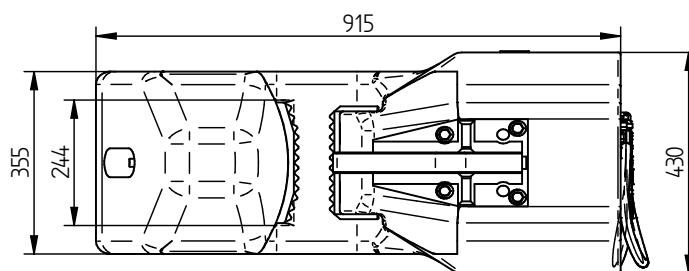
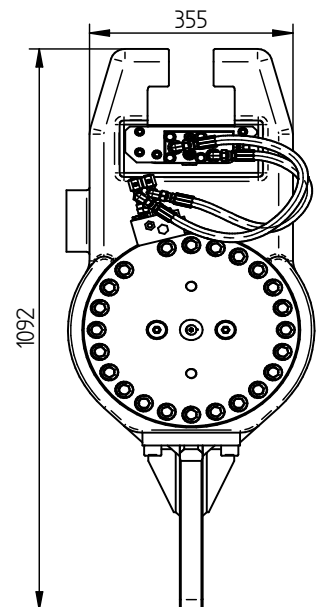
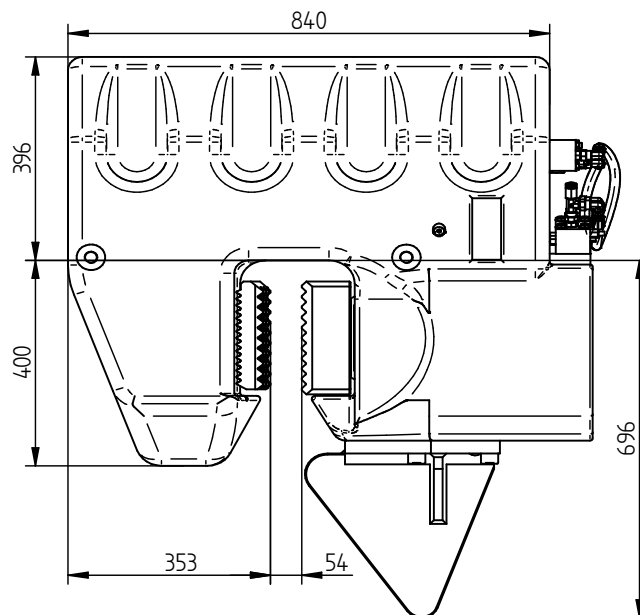
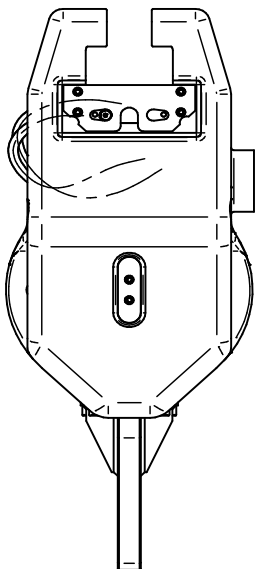
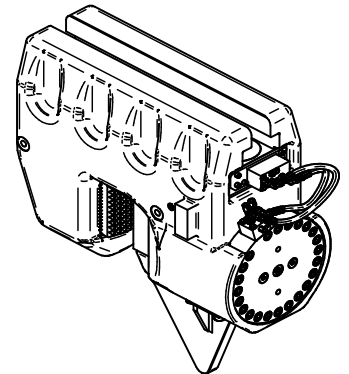
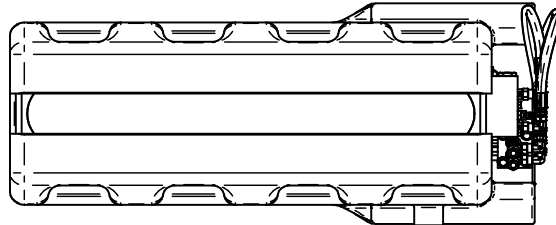
### Tube Clamp



### Specifications :

### PVE 200TC

Tube pile clamp		
Clamping force	2000	kN
Max. operating press.	320	bar
Max. clamp open press.	180	bar
Min. Inner diameter	725	mm
Weight	1350	kg



### Technische Daten :

### PVE 200TC

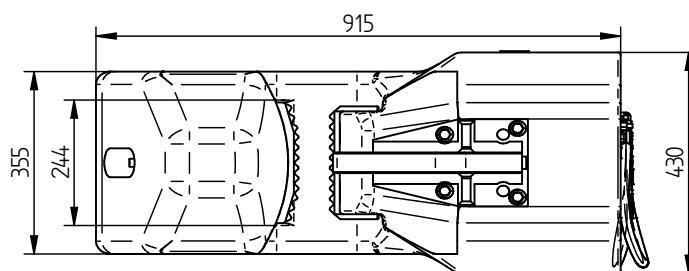
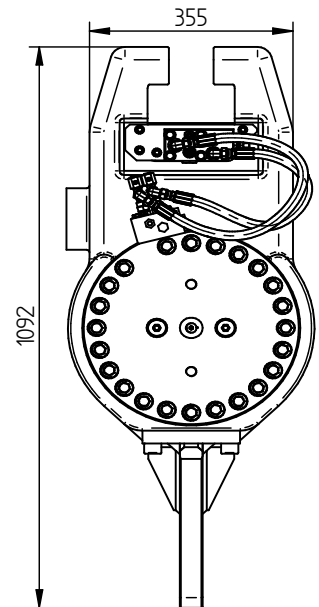
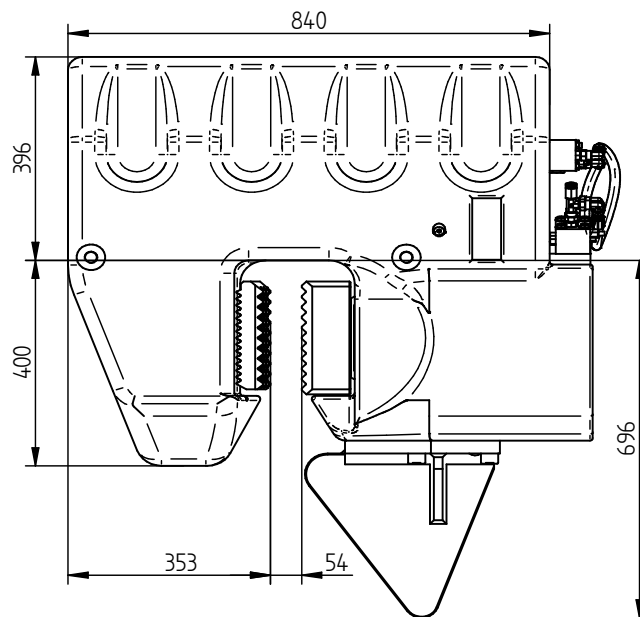
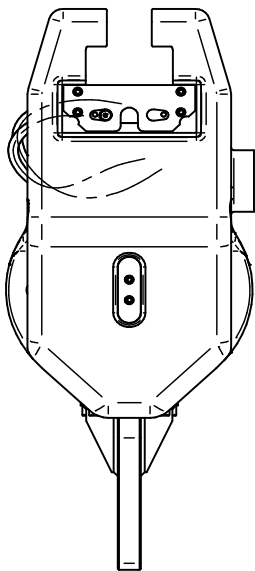
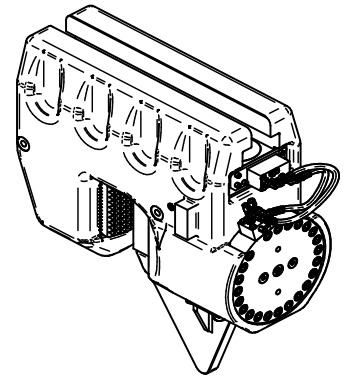
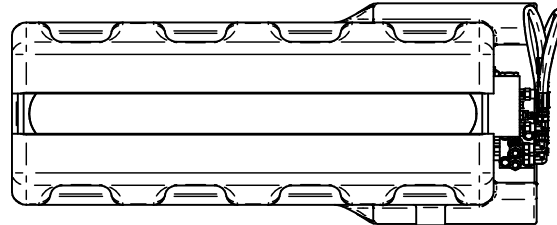
Rohrzange		
Klemmkraft	2000	kN
Max. Betriebsdruck	320	bar
Max. Druck Zange Offen	180	bar
Min. Rohr inner durchmesser	725	mm
Gewicht	1350	kg



# Spécifications

## PVE 200TC

Pince tube



### Spécifications

### PVE 200TC

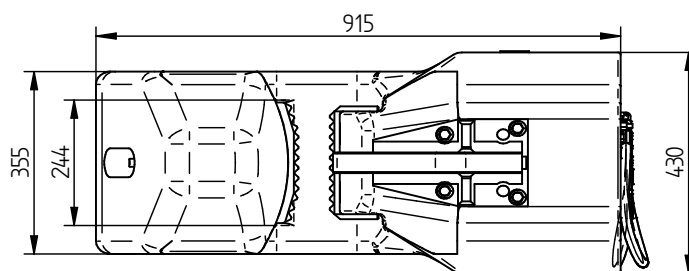
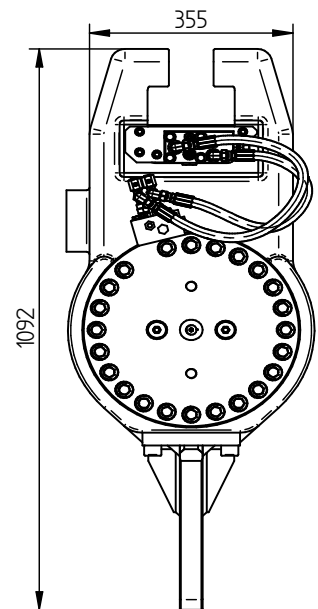
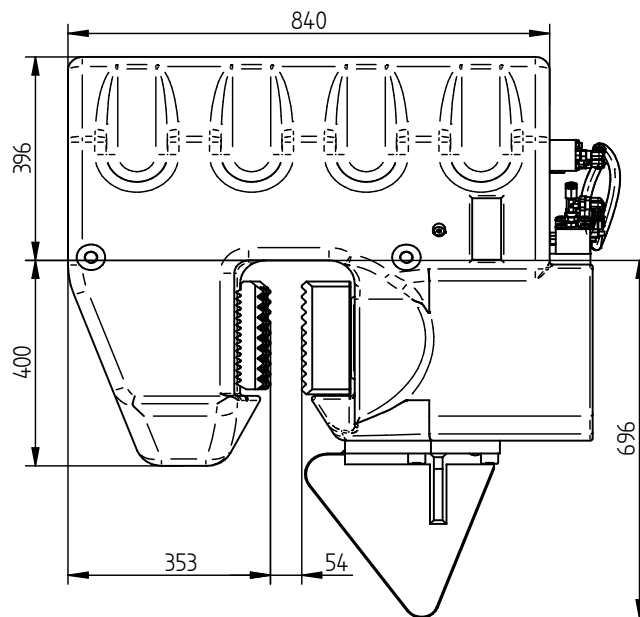
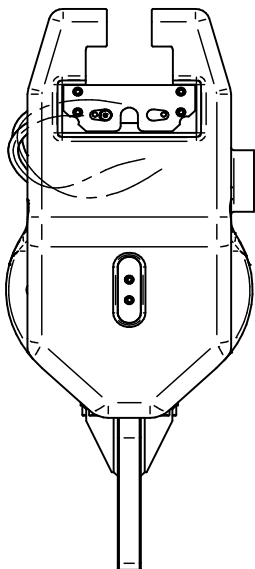
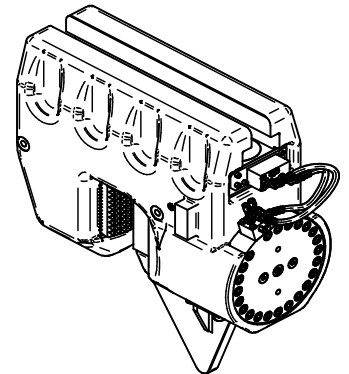
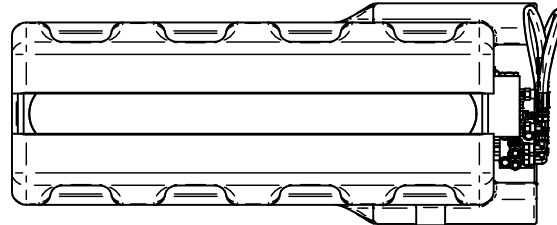
Pince tube		
Force de serrage	2000	kN
Pression de travail max.	320	bar
Pression pince ouvert max.	180	bar
Diamètre tube dedans min.	725	mm
Poids	1350	kg



# Specificaties

## PVE 200TC

### Damwandklem



### Specificaties

### PVE 200TC

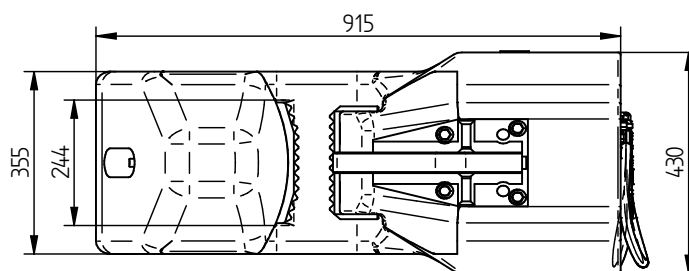
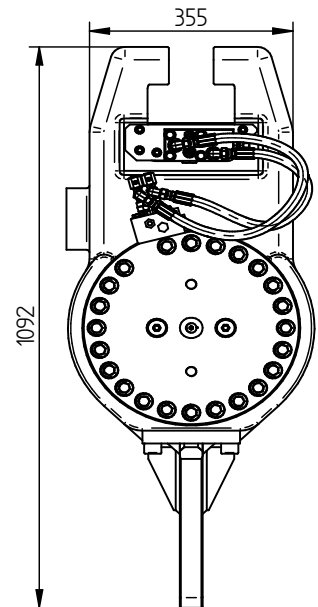
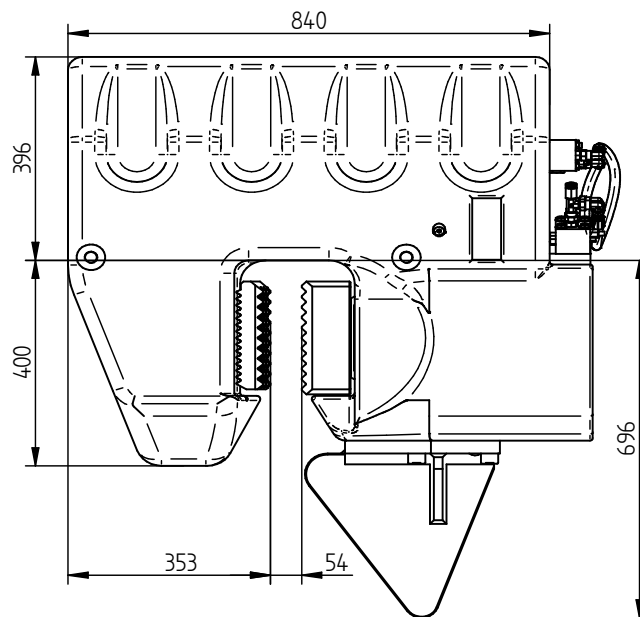
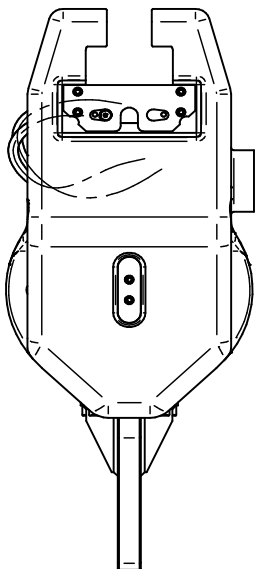
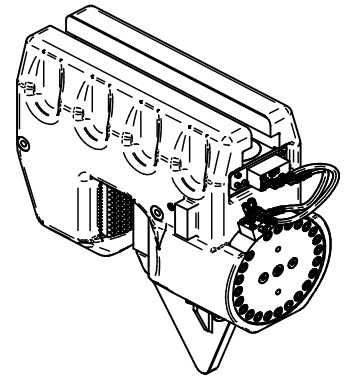
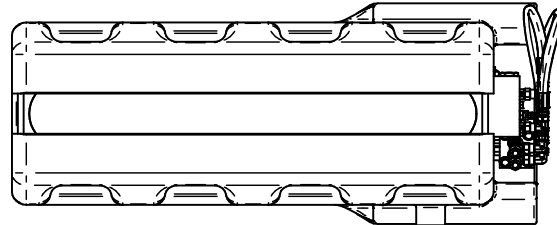
Damwandklem		
Klemkracht	2000	kN
Max. werkdruk	320	bar
Max. klem open druk	180	bar
Min. buis binnen diameter	725	mm
Gewicht	1350	kg



# Specificatii

## PVE 200TC

Menghina pentru tuburi



### Specificatii

### PVE 200TC

Menghina pentru tuburi		
Putere de strangere	2000	kN
Presiunea maxima de lucru	320	bar
Presiunea maxima cu menghina deschisa	180	bar
Diametrul interior minim	725	mm
Greutate	1350	kg



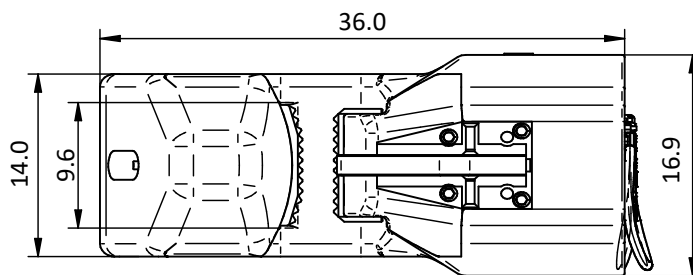
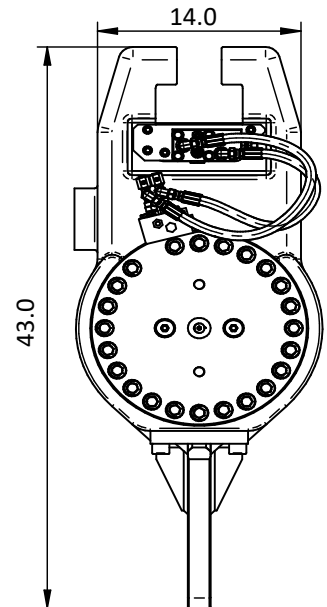
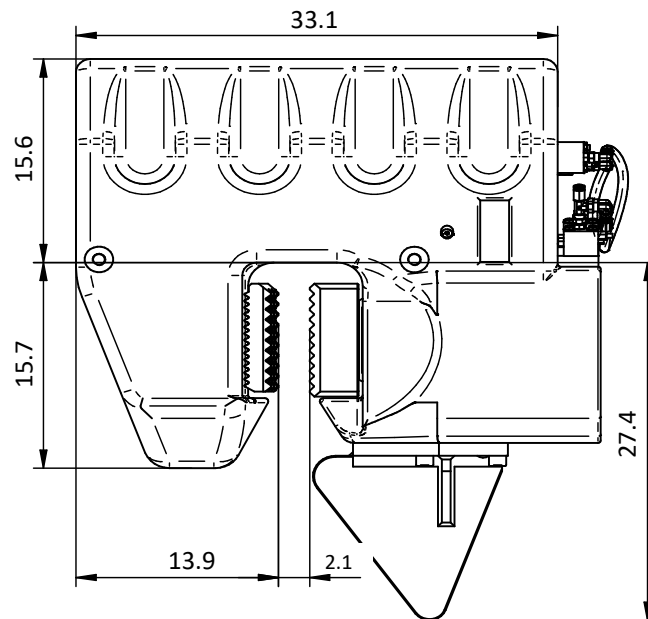
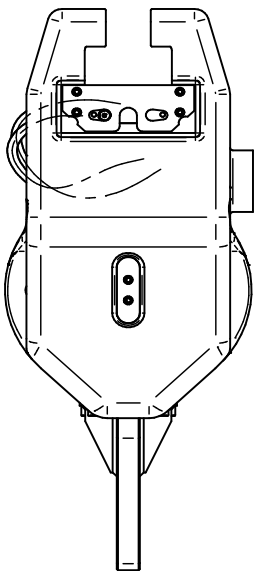
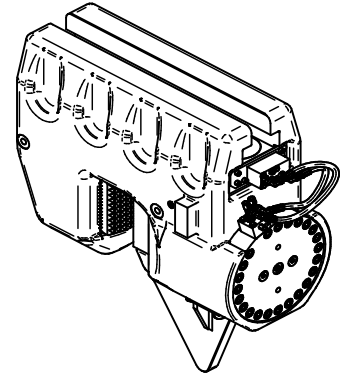
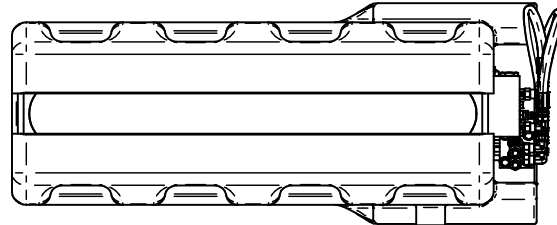
# Specifications

## PVE 200TC

Tube pile clamp

USA

INCHES



### Specifications

### PVE 200TC

Tube pile clamp		
Clamping force	225	ton
Max. operating press.	4,641	psi
Max. clamp open press.	2,611	psi
Min. Inner diameter	29	inch
Weight	2,976	lbs