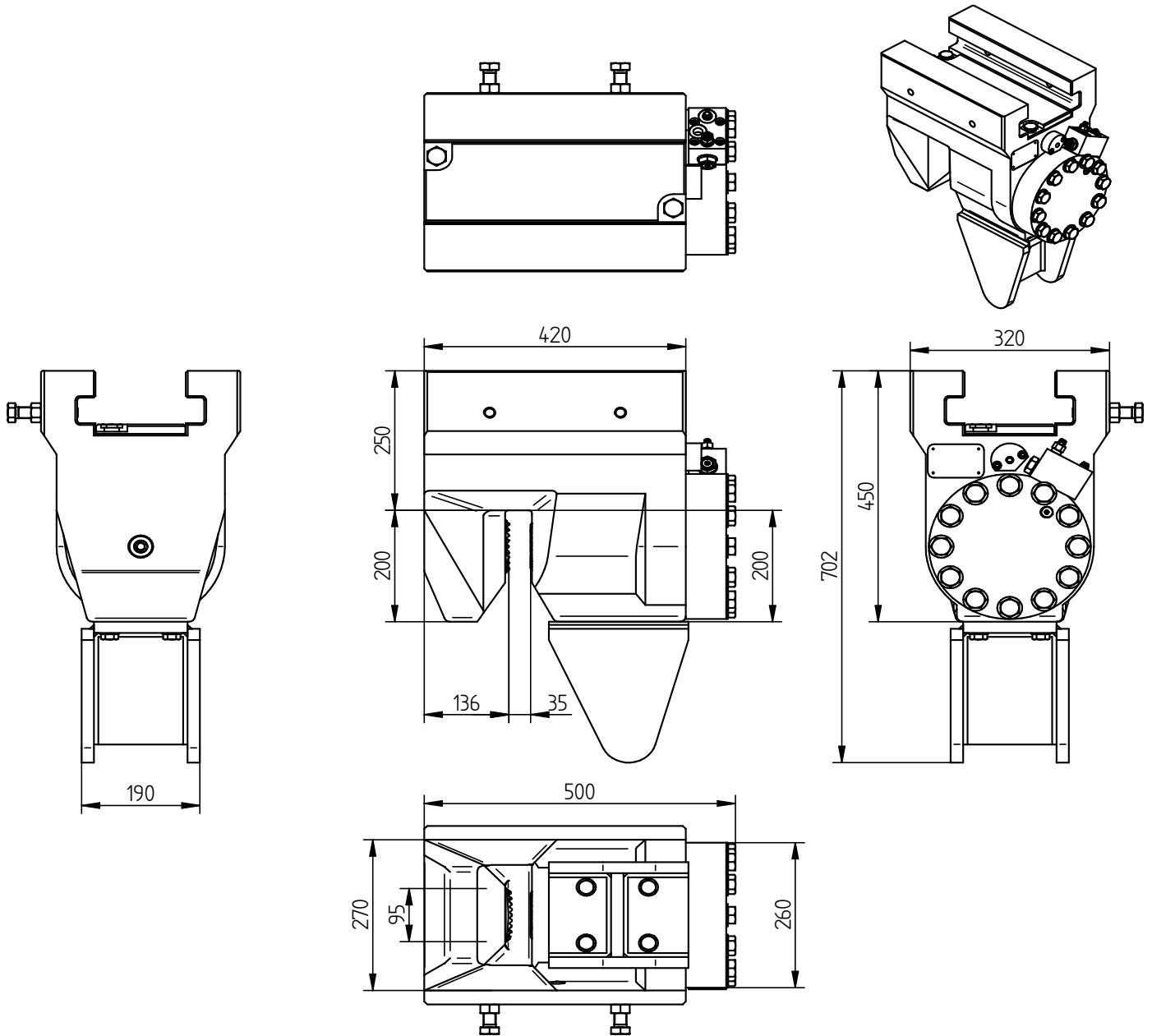


Specifications :

ICE 55TC

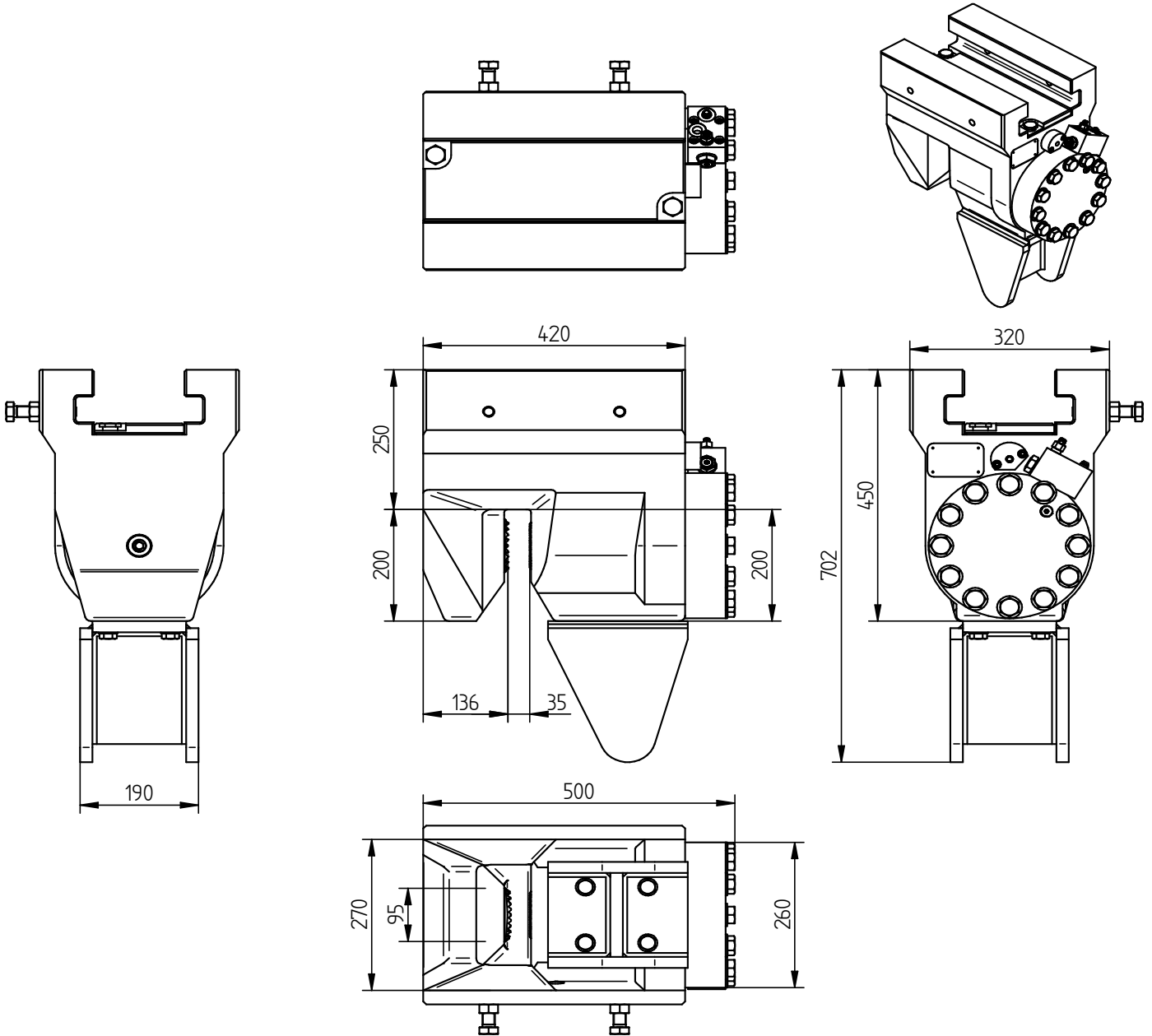
Tube pile clamp		
Clamping force	550	kN
Max. operating press.	300	bar
Max. clamp open press.	180	bar
Min. Inner diameter	294	mm
Weight	310	kg



Technische Daten :

ICE 55TC

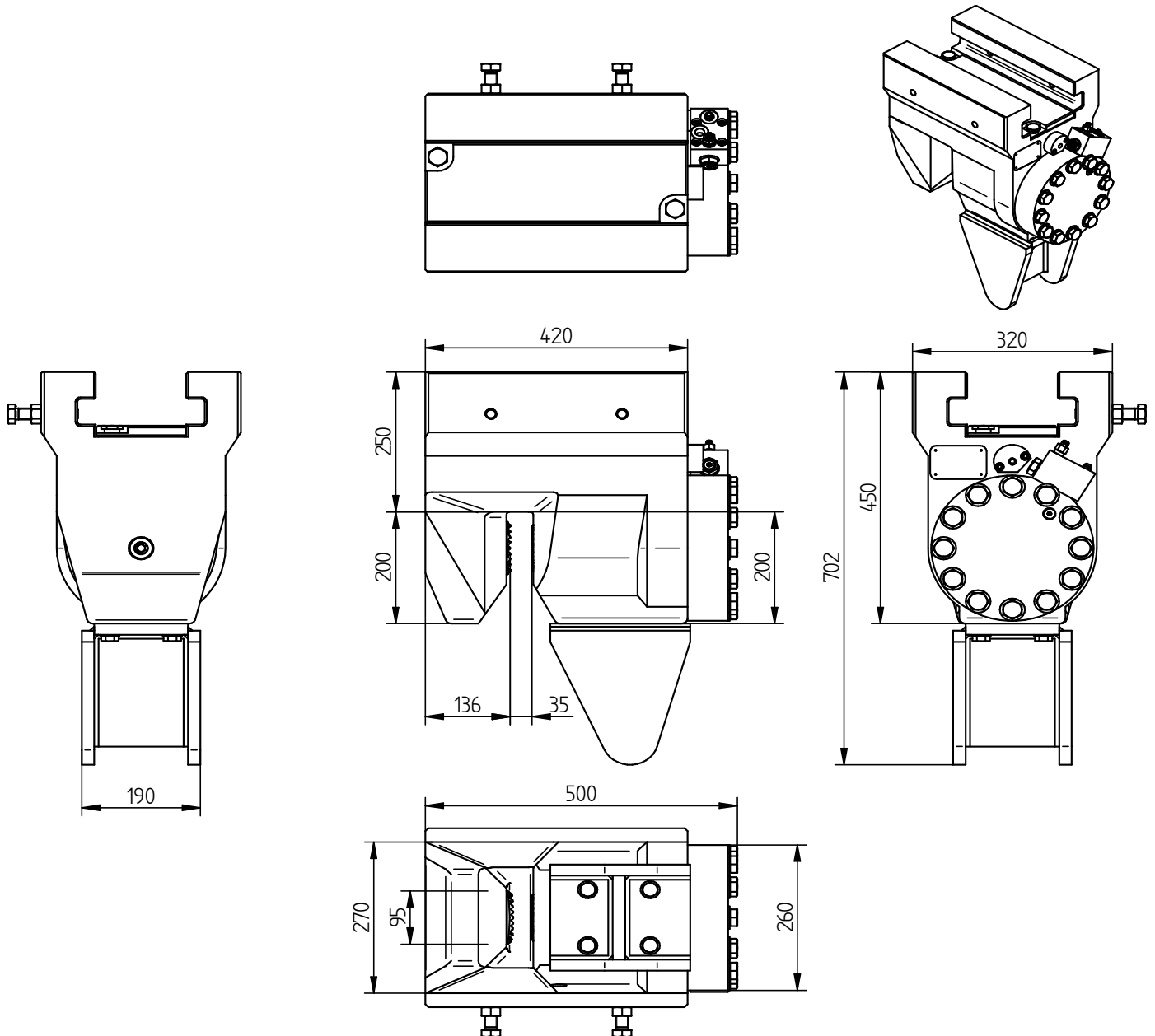
Rohrzange		
Klemmkraft	550	kN
Max. Betriebsdruck	300	bar
Max. Druck Zange Offen	180	bar
Min. Rohr inner durchmesser	294	mm
Gewicht	310	kg



Spécifications

ICE 55TC

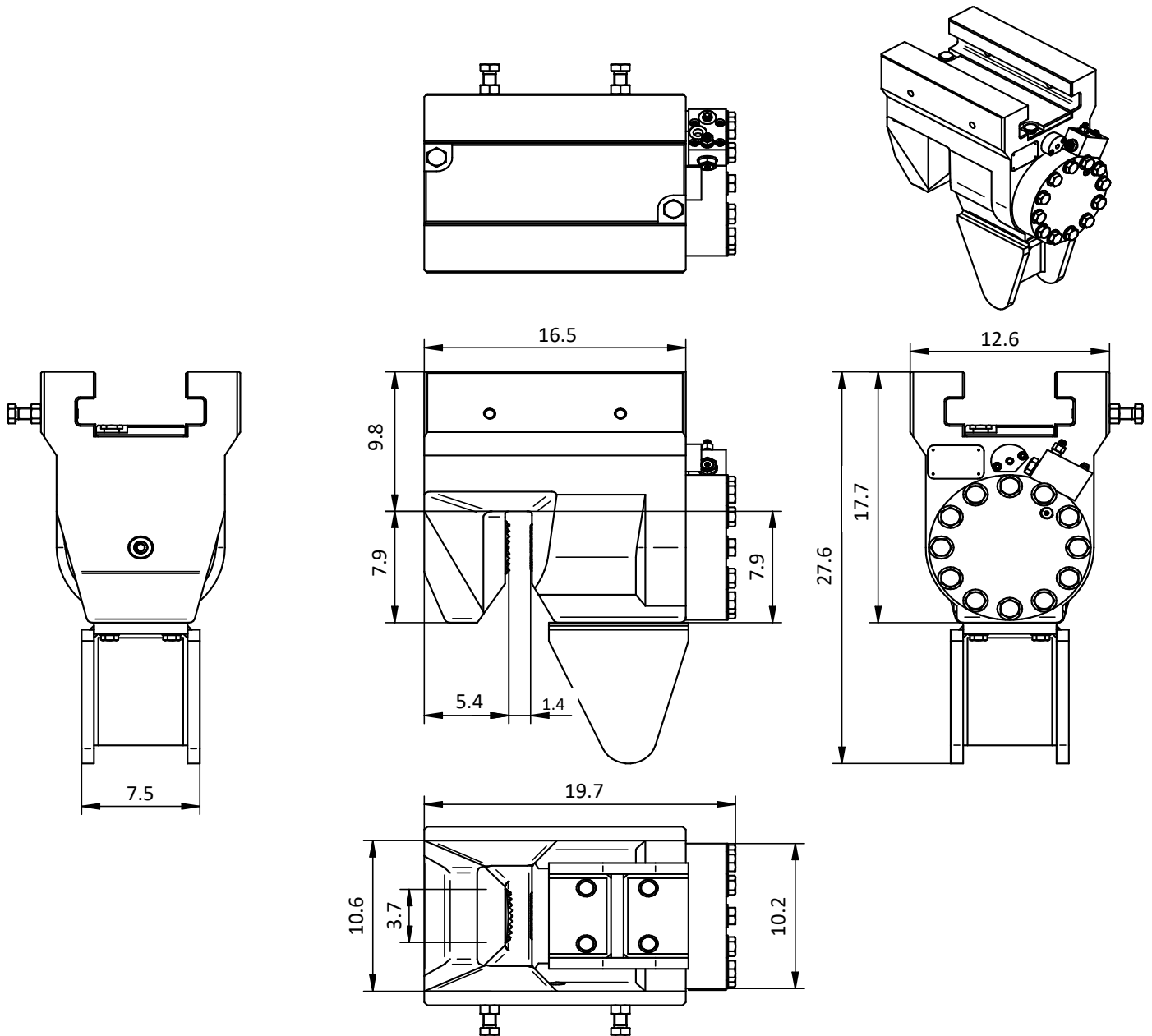
Pince tube		
Force de serrage	550	kN
Pression de travail max.	300	bar
Pression pince ouvert max.	180	bar
Diamètre tube dedans min.	294	mm
Poids	310	kg



Specificaties

ICE 55TC

Damwandklem		
Klemkracht	550	kN
Max. werkdruk	300	bar
Max. klem open druk	180	bar
Min. buis binnen diameter	294	mm
Gewicht	310	kg



Specifications	ICE 55TC	
Tube pile clamp		
Clamping force	62	ton
Max. operating press.	4,351	psi
Max. clamp open press.	2,611	psi
Min. Inner diameter	12	inch
Weight	683	lbs