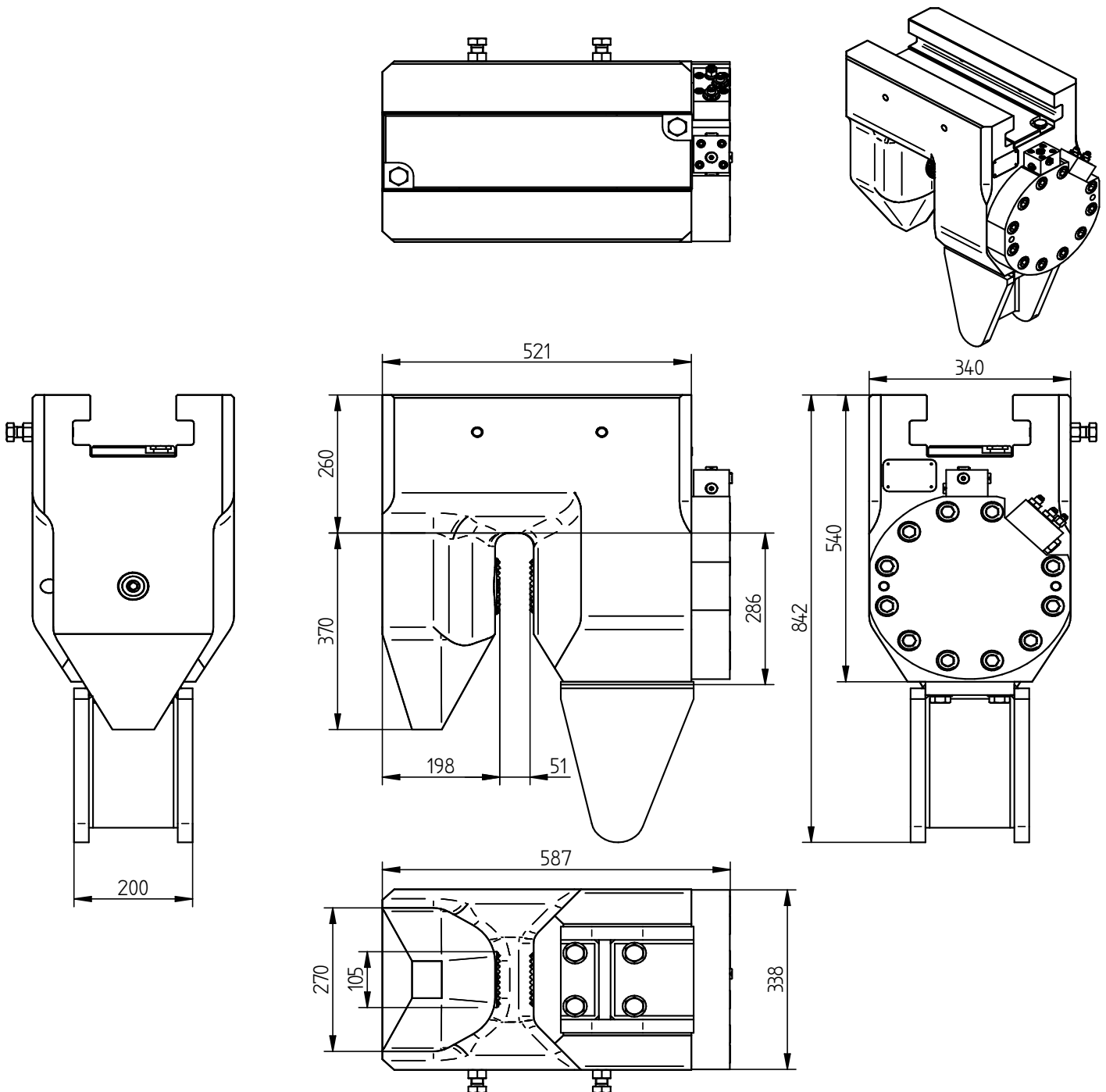


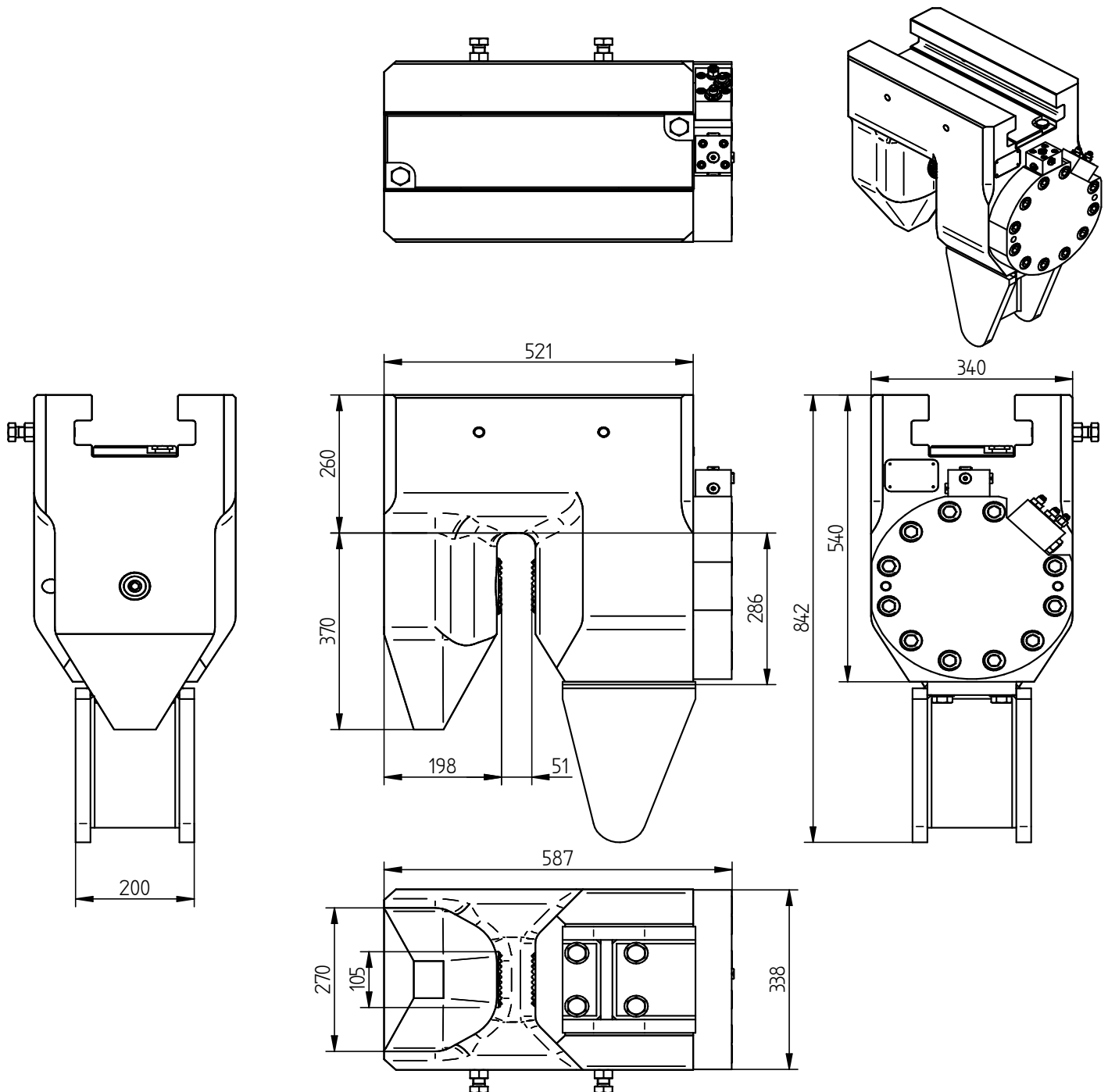
Specifications :

ICE 80TC

Tube pile clamp		
Clamping force	800	kN
Max. operating press.	300	bar
Max. clamp open press.	180	bar
Min. Inner diameter	417	mm
Weight	500	kg



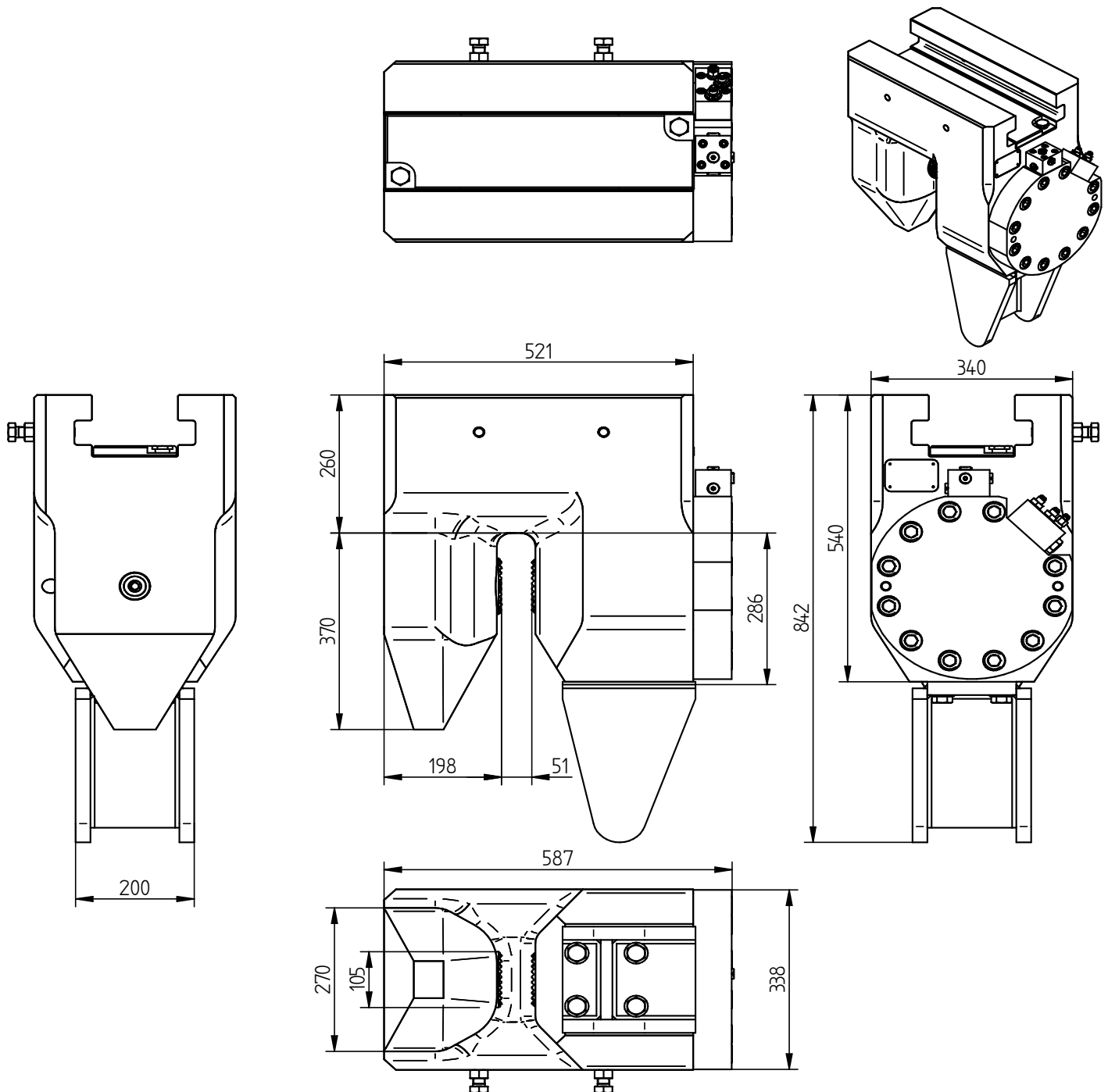
Technische Daten :		ICE 80TC	
Rohrzange			
Klemmkraft		800	kN
Max. Betriebsdruck		300	bar
Max. Druck Zange Offen		180	bar
Min. Rohr inner durchmesser		417	mm
Gewicht		500	kg



Spécifications

ICE 80TC

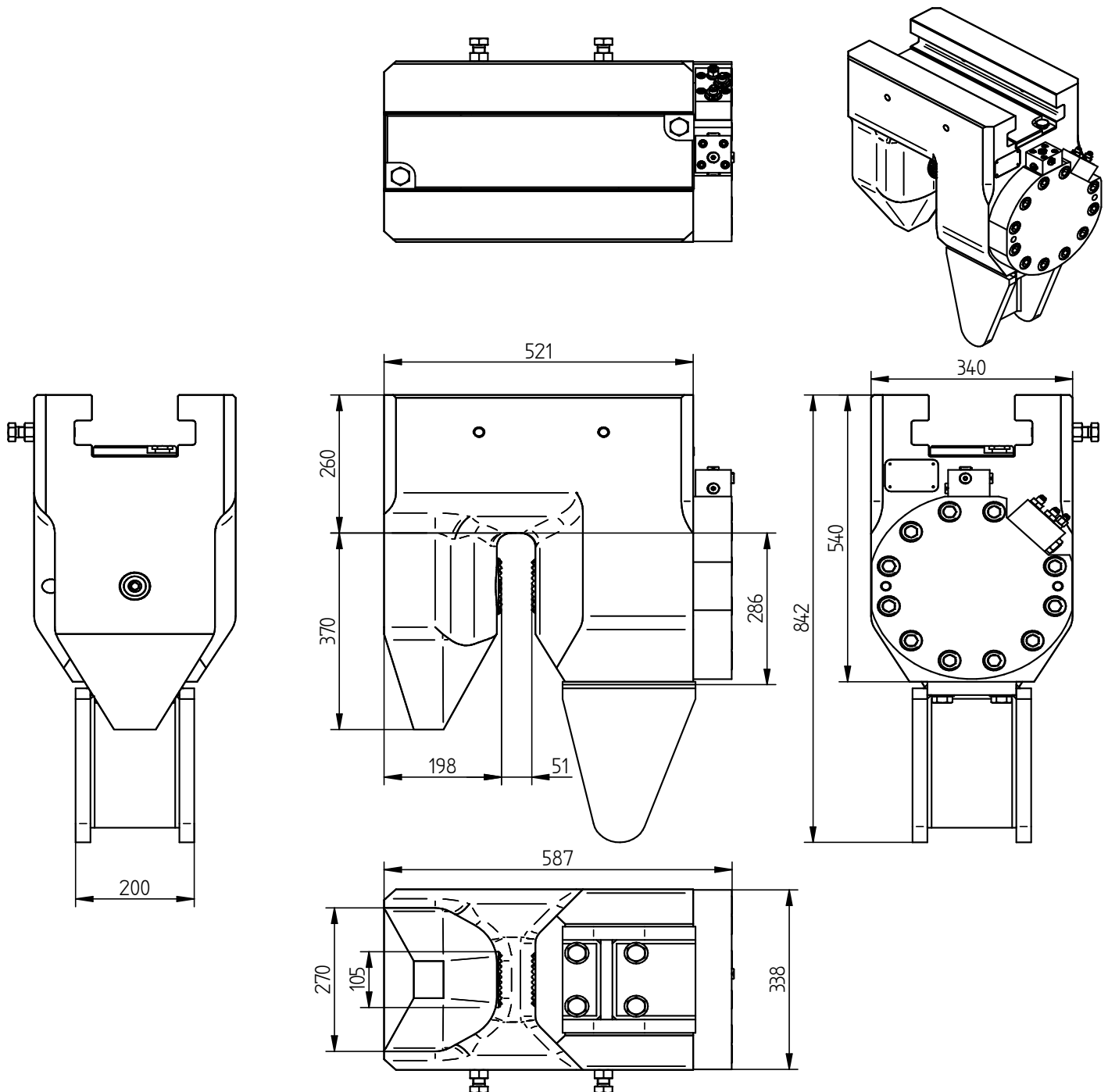
Pince tube		
Force de serrage	800	kN
Pression de travail max.	300	bar
Pression pince ouvert max.	180	bar
Diamètre tube dedans min.	417	mm
Poids	500	kg



Specificaties

ICE 80TC

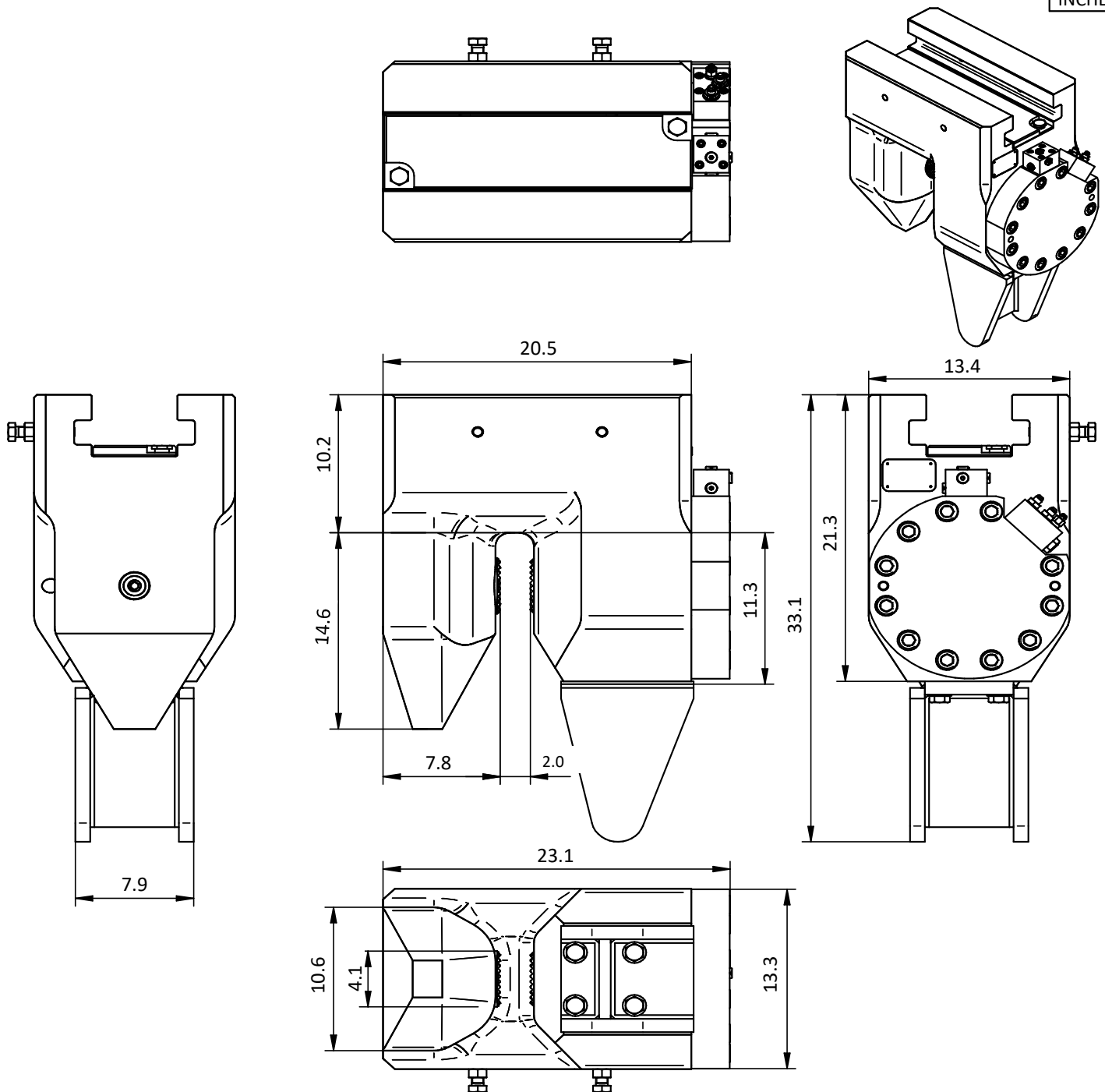
Damwandklem		
Klemkracht	800	kN
Max. werkdruk	300	bar
Max. klem open druk	180	bar
Min. buis binnen diameter	417	mm
Gewicht	500	kg



Specificatii

ICE 80TC

Menghina pentru tuburi		
Forta de strangere	800	kN
Presiune maxima de lucru	300	bar
Presiunea maxima de prindere a menghinei	180	bar
Diametru min. tub în interior	417	mm
Greutate	500	kg



Specifications	ICE 80TC	
Tube pile clamp		
Clamping force	90	ton
Max. operating press.	4,351	psi
Max. clamp open press.	2,611	psi
Min. Inner diameter	16	inch
Weight	1,102	lbs