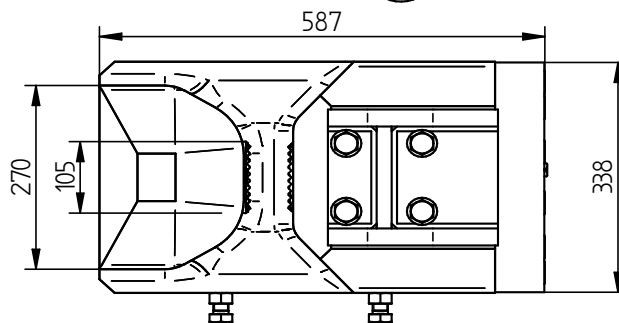
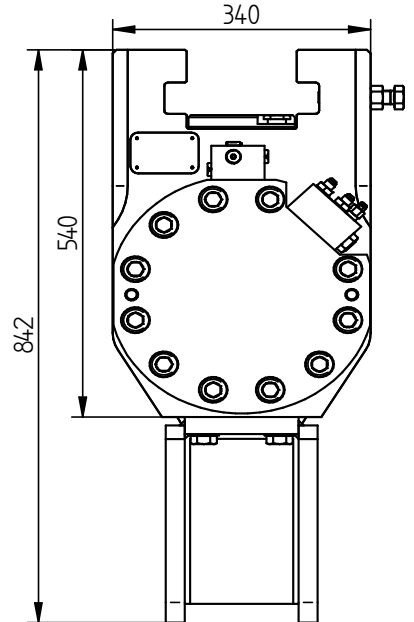
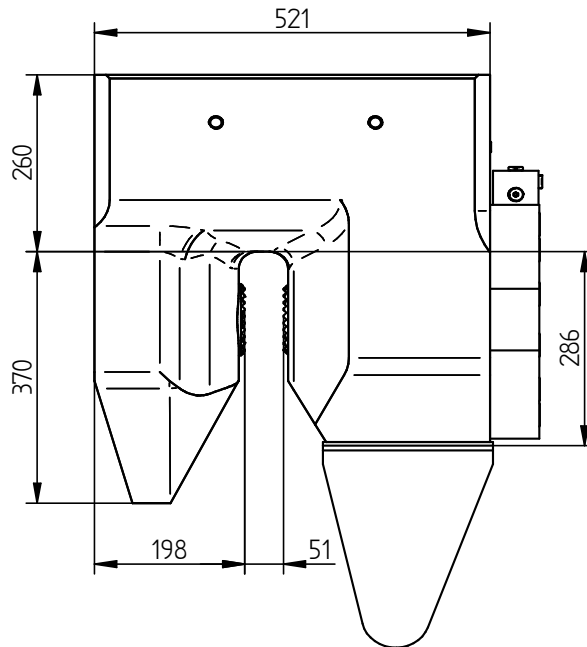
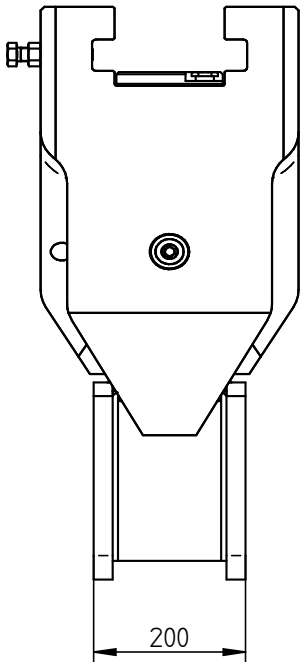
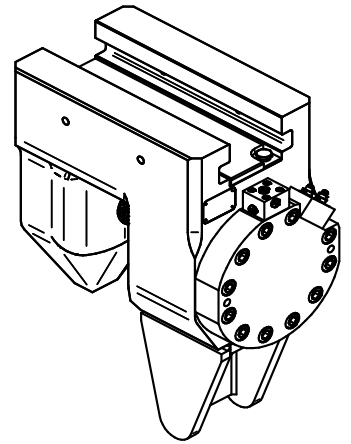
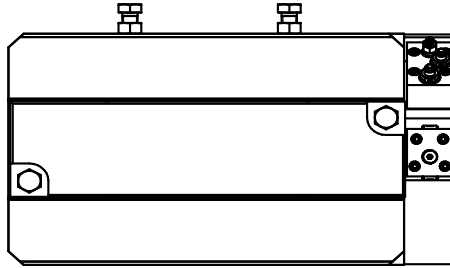




Specification sheet

PVE 80TC

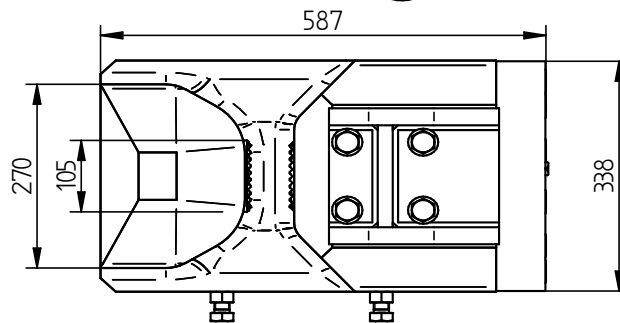
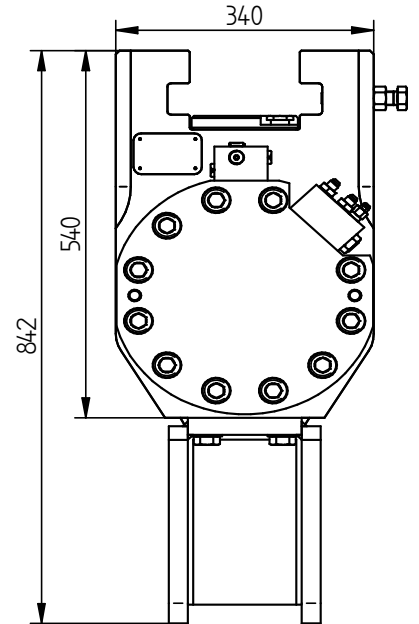
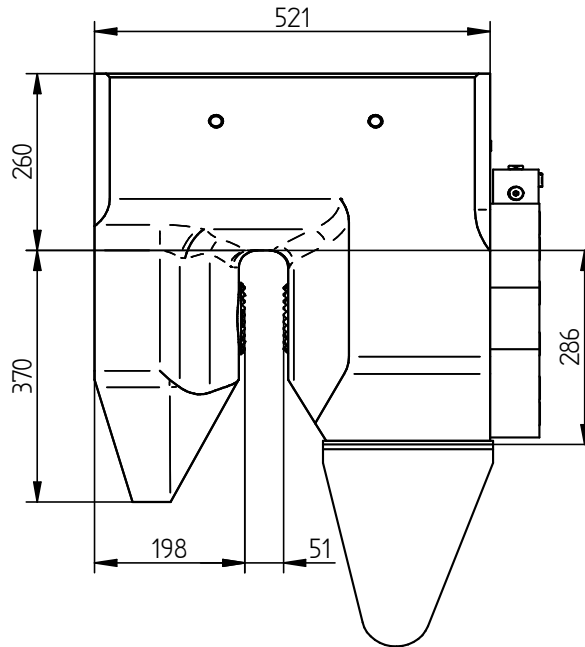
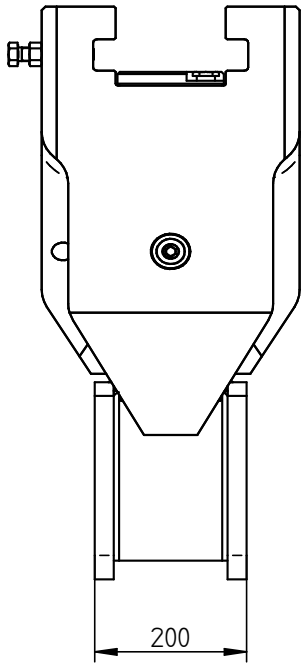
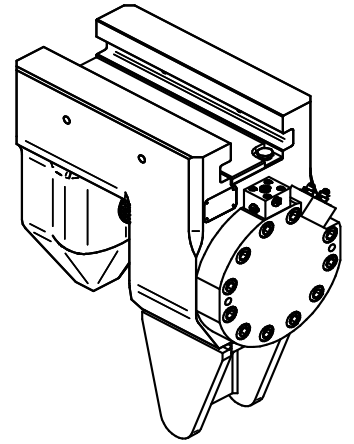
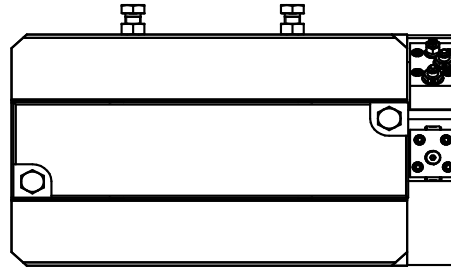
Tube Clamp



Specifications :

PVE 80TC

Tube pile clamp		
Clamping force	800	kN
Max. operating press.	300	bar
Max. clamp open press.	180	bar
Min. Inner diameter	417	mm
Weight	500	kg



Technische Daten :

PVE 80TC

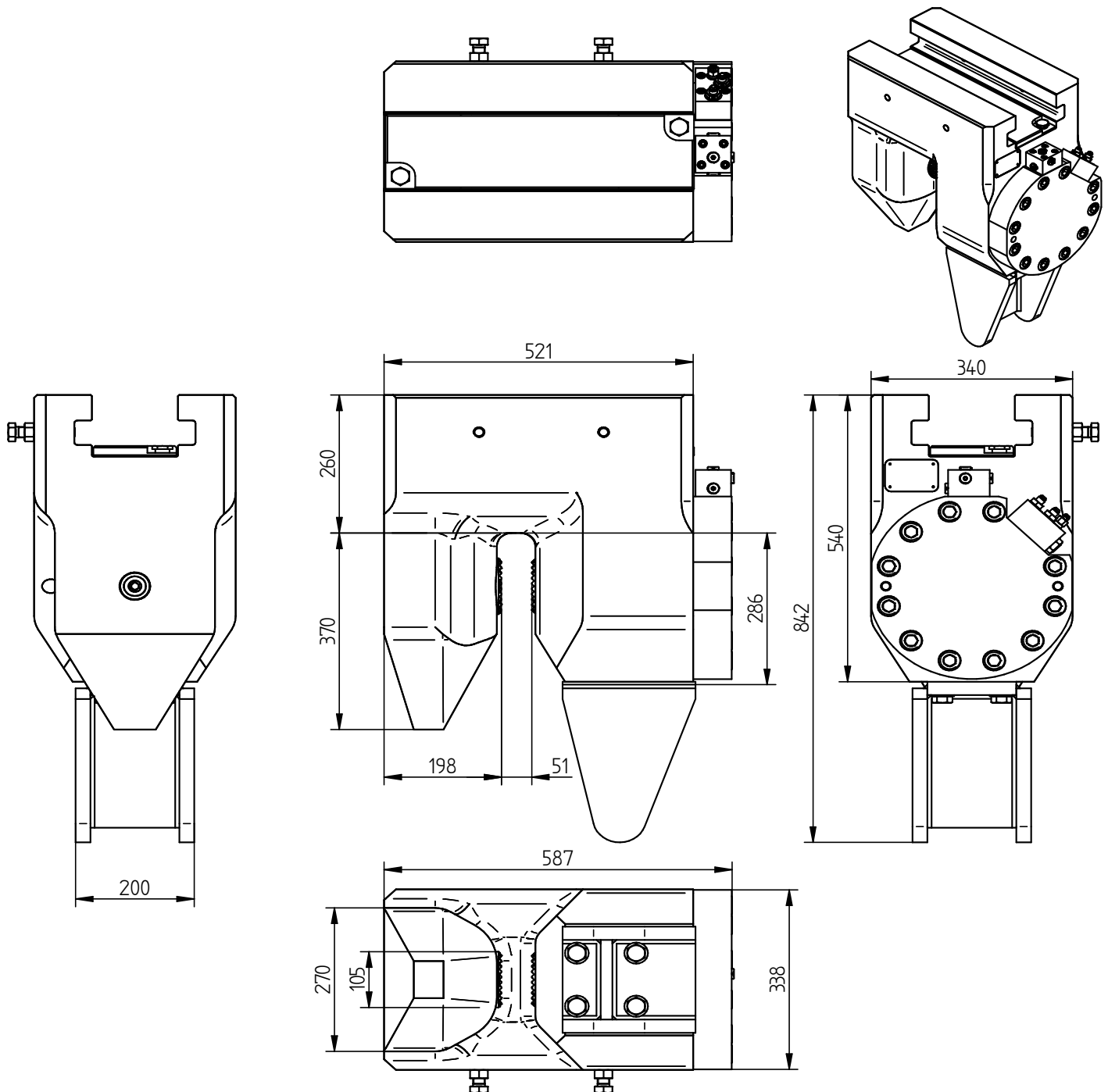
Rohrzange		
Klemmkraft	800	kN
Max. Betriebsdruck	300	bar
Max. Druck Zange Offen	180	bar
Min. Rohr inner durchmesser	417	mm
Gewicht	500	kg



Spécifications

PVE 80TC

Pince tube



Spécifications

PVE 80TC

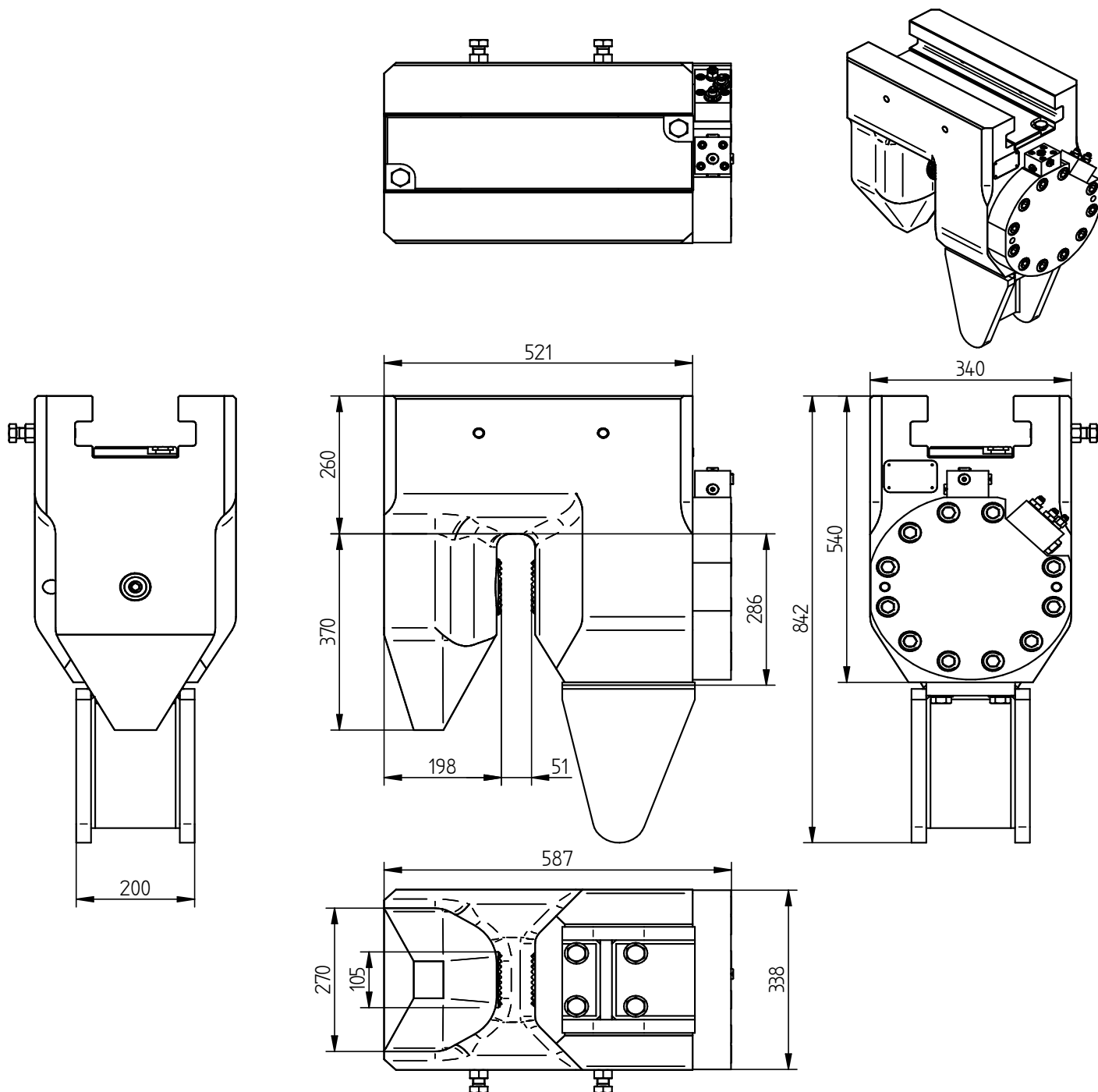
Pince tube		
Force de serrage	800	kN
Pression de travail max.	300	bar
Pression pince ouvert max.	180	bar
Diamètre tube dedans min.	417	mm
Poids	500	kg



Specificaties

PVE 80TC

Damwandklem



Specificaties	PVE 80TC	
Damwandklem		
Klemkracht	800	kN
Max. werkdruk	300	bar
Max. klem open druk	180	bar
Min. buis binnen diameter	417	mm
Gewicht	500	kg



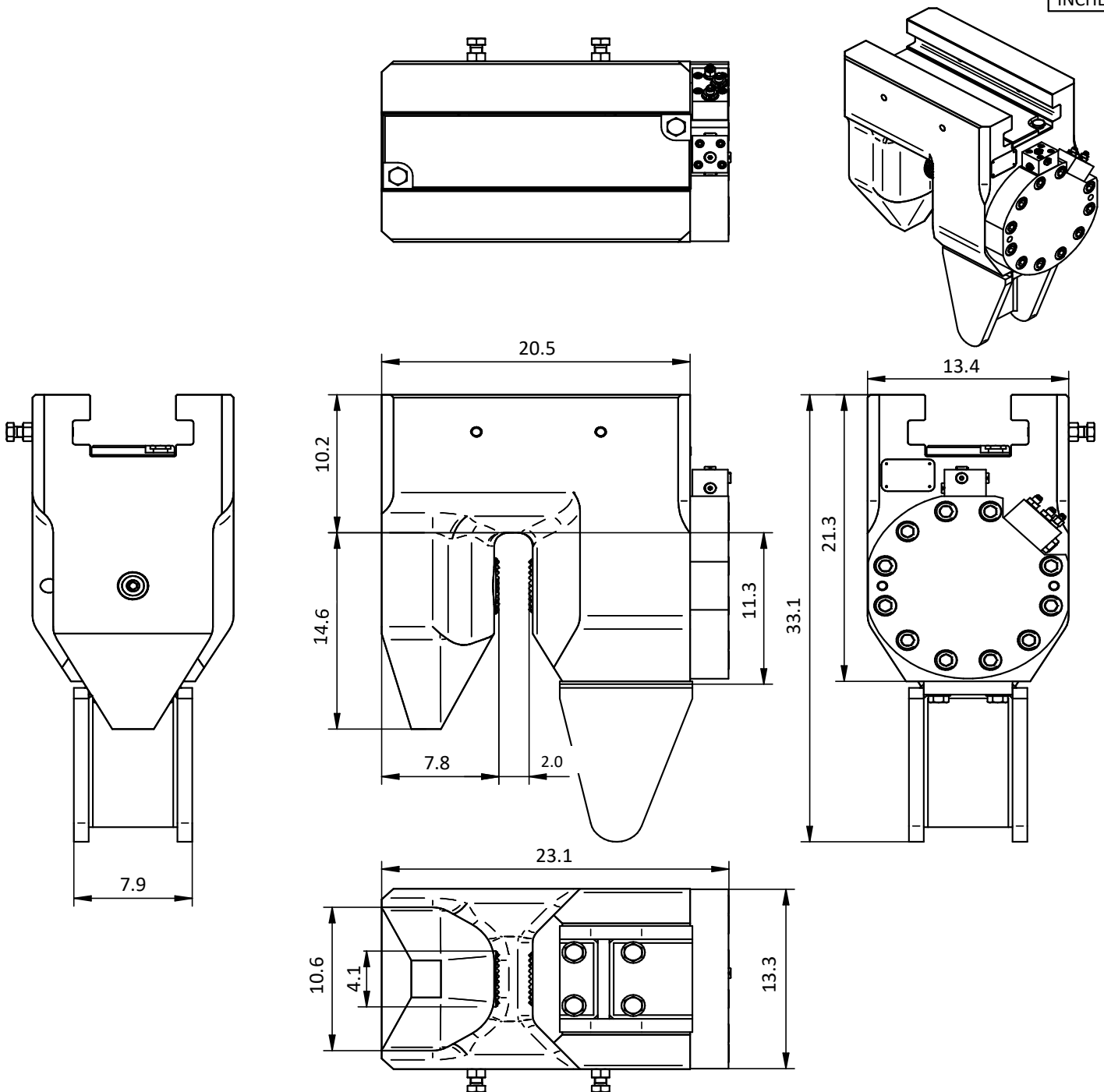
Specifications

PVE 80TC

Tube pile clamp

USA

INCHES



Specifications	PVE 80TC	
Tube pile clamp		
Clamping force	90	ton
Max. operating press.	4,351	psi
Max. clamp open press.	2,611	psi
Min. Inner diameter	16	inch
Weight	1,102	lbs