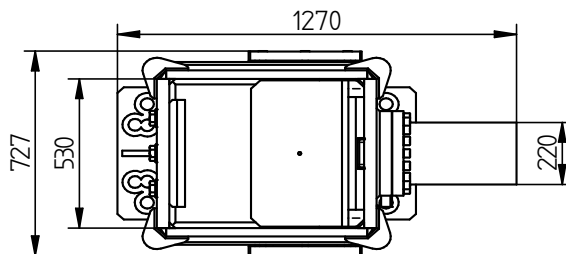
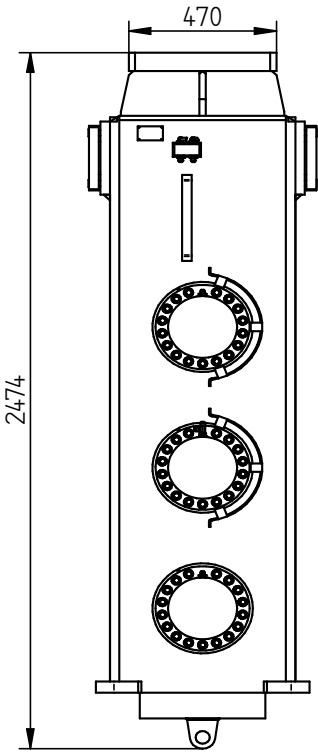
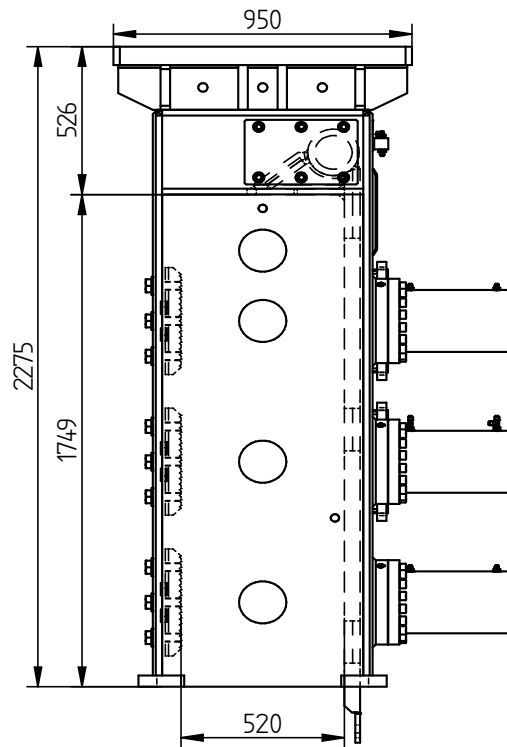
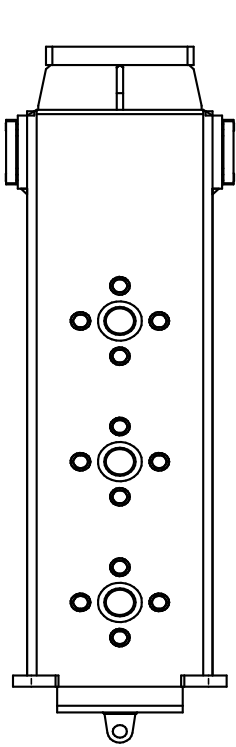
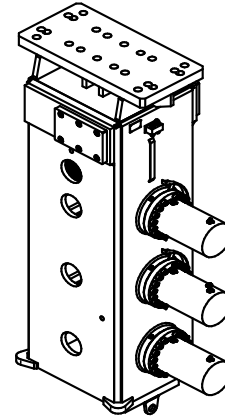
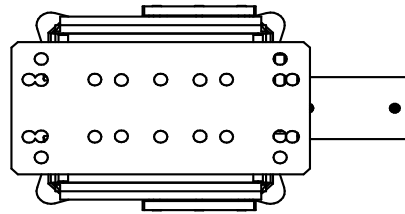




# Specification sheet

## PVE 180TP

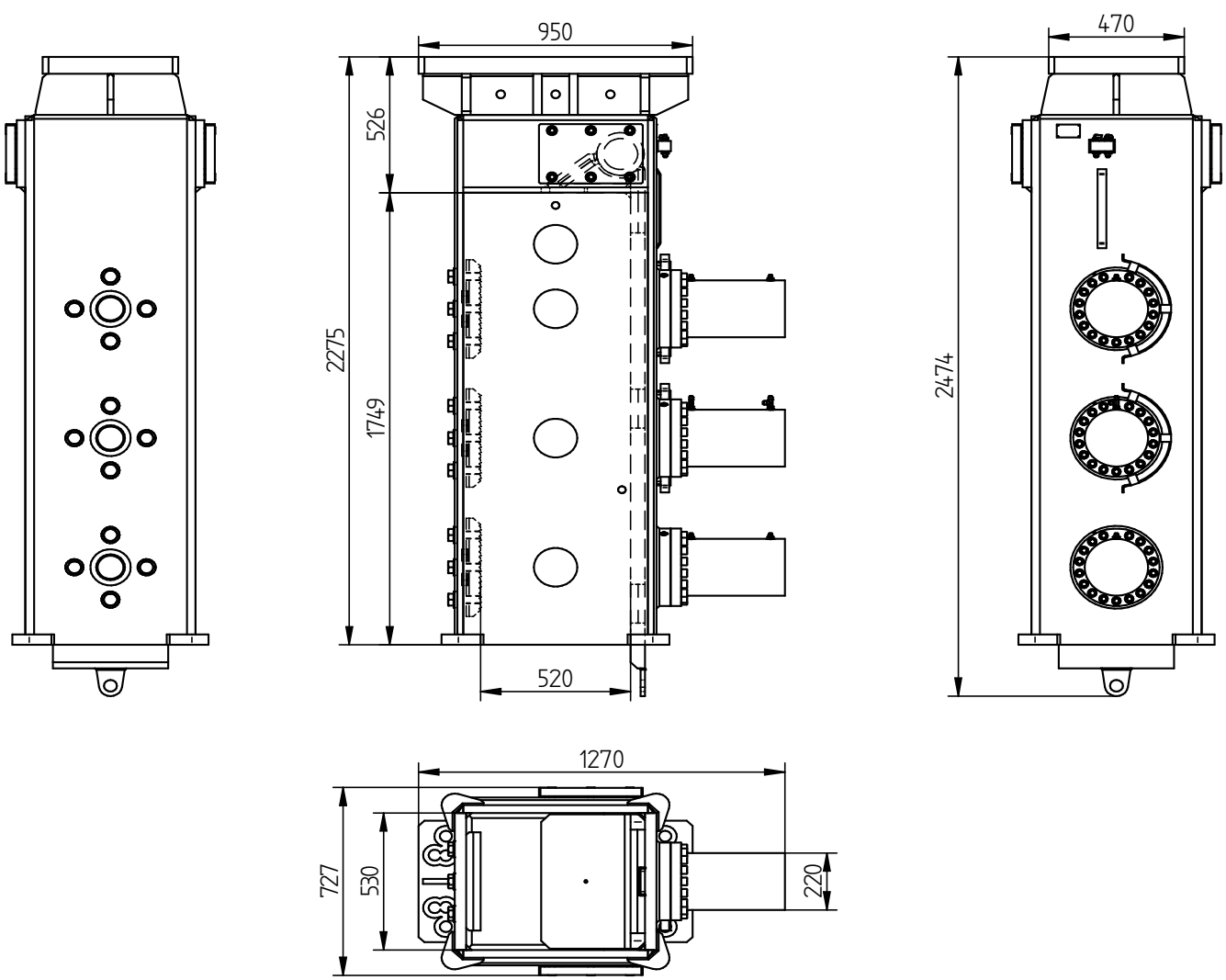
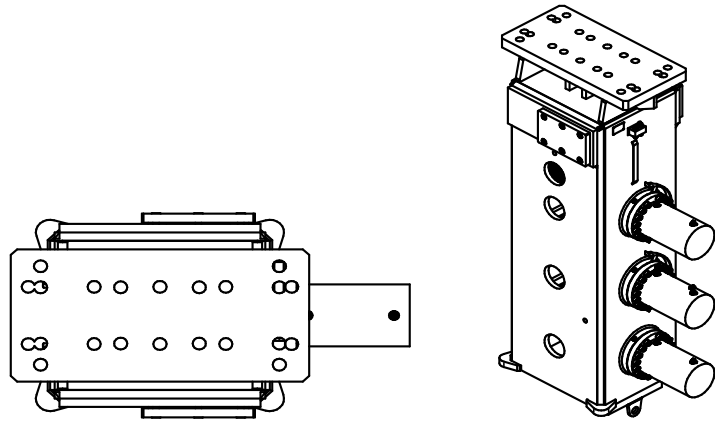
### Pile Clamp



#### Specifications :

#### PVE 180TP

|                        |      |     |
|------------------------|------|-----|
| Pile clamp             |      |     |
| Clamping force         | 1800 | kN  |
| Max. operating press.  | 300  | bar |
| Max. clamp open press. | 180  | bar |
| Weight                 | 2820 | kg  |



#### Technische Daten :

#### PVE 180TP

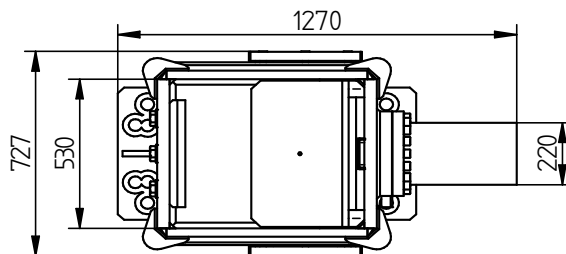
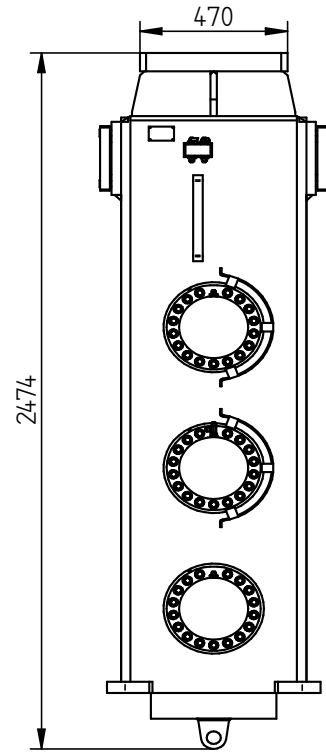
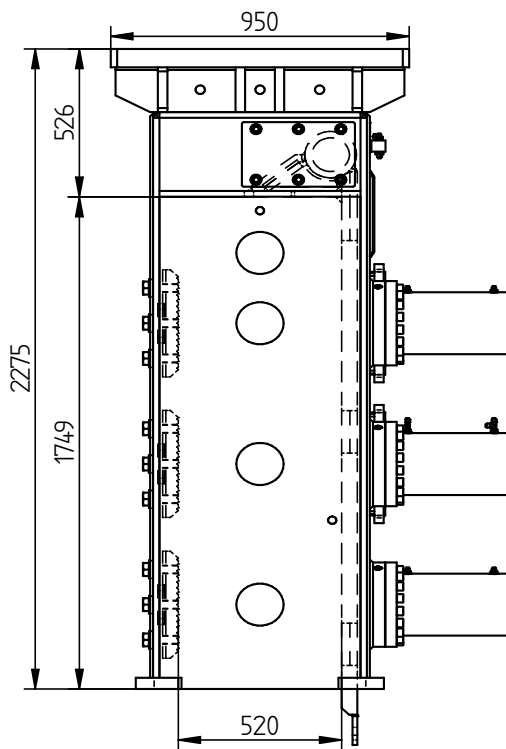
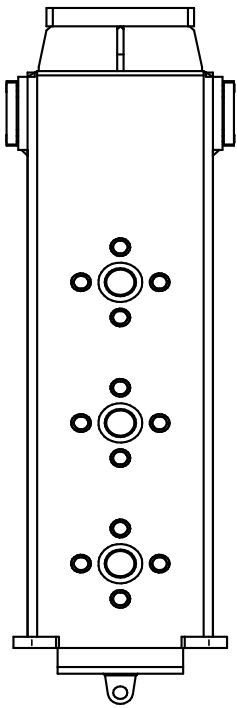
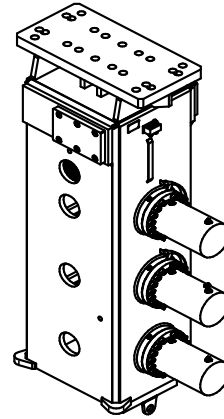
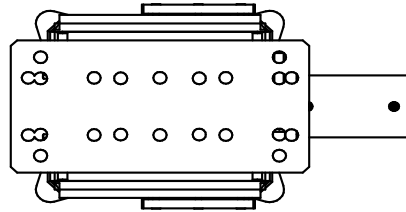
|                        |      |     |
|------------------------|------|-----|
| Staketzange            |      |     |
| Klemmkraft             | 1800 | kN  |
| Max. Betriebsdruck     | 300  | bar |
| Max. Druck Zange Offen | 180  | bar |
| Gewicht                | 2820 | kg  |



# Spécifications

## PVE 180TP

Pince échalas



### Spécifications

### PVE 180TP

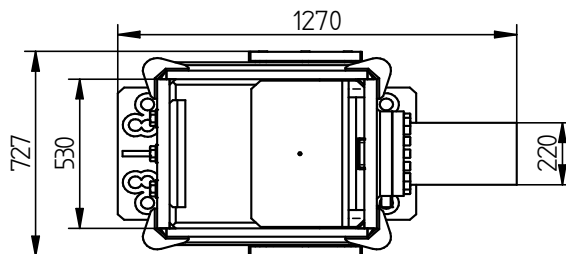
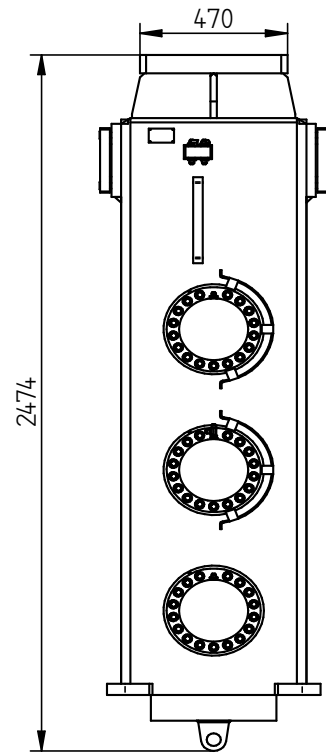
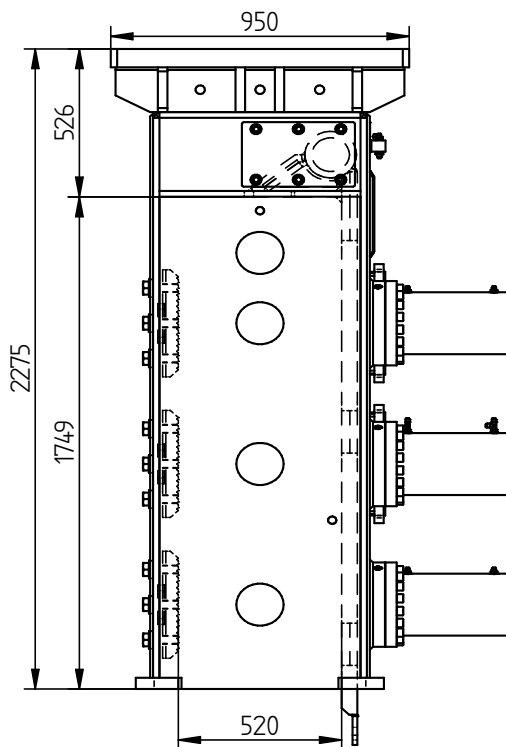
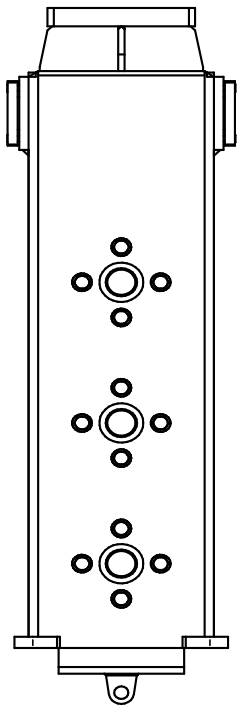
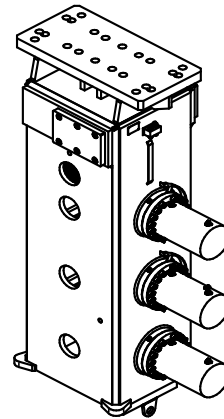
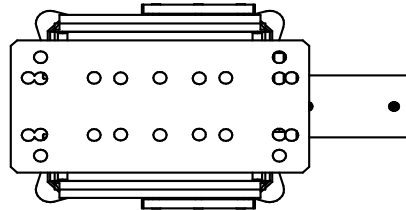
|                            |      |     |
|----------------------------|------|-----|
| Pince échalas              |      |     |
| Force de serrage           | 1800 | kN  |
| Pression de travail max.   | 300  | bar |
| Pression pince ouvert max. | 180  | bar |
| Poids                      | 2820 | kg  |



# Specificaties

## PVE 180TP

Paalklem



### Specificaties

### PVE 180TP

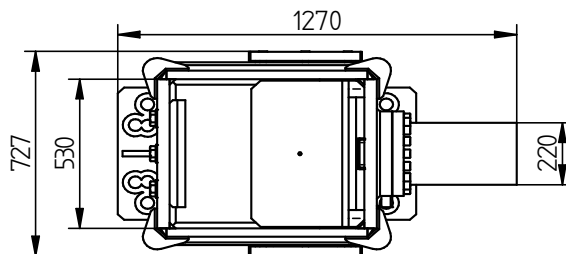
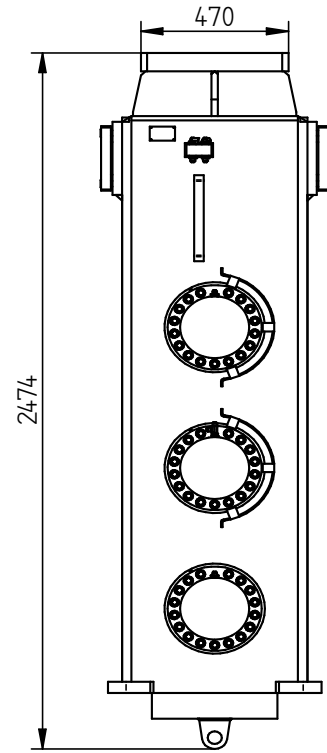
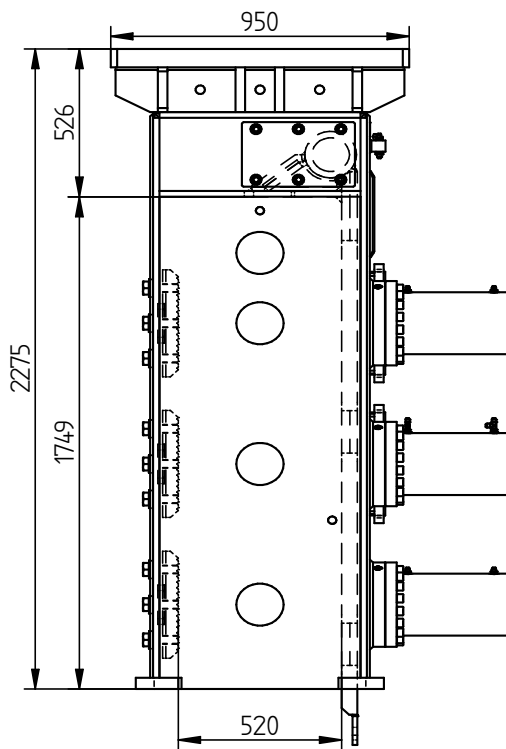
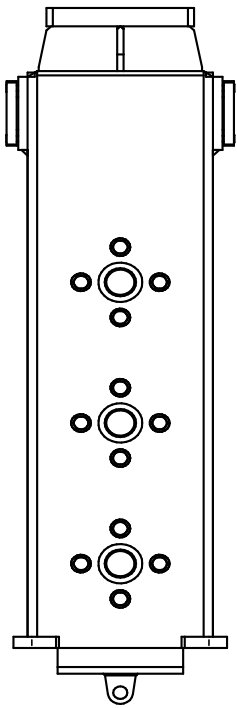
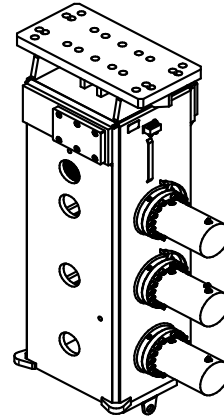
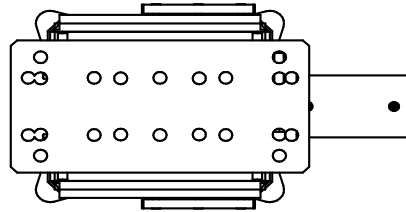
|                     |      |     |
|---------------------|------|-----|
| Paalklem            |      |     |
| Klemkracht          | 1800 | kN  |
| Max. werkdruk       | 300  | bar |
| Max. klem open druk | 180  | bar |
| Gewicht             | 2820 | kg  |



# Specificatii

## PVE 180TP

Menghina pentru palplanse



### Specificatii

### PVE 180TP

|                                       |      |     |
|---------------------------------------|------|-----|
| Menghina pentru palplanse             |      |     |
| Putere de strangere                   | 1800 | kN  |
| Presiunea maxima de lucru             | 300  | bar |
| Presiunea maxima cu menghina deschisa | 180  | bar |
| Greutate                              | 2820 | kg  |



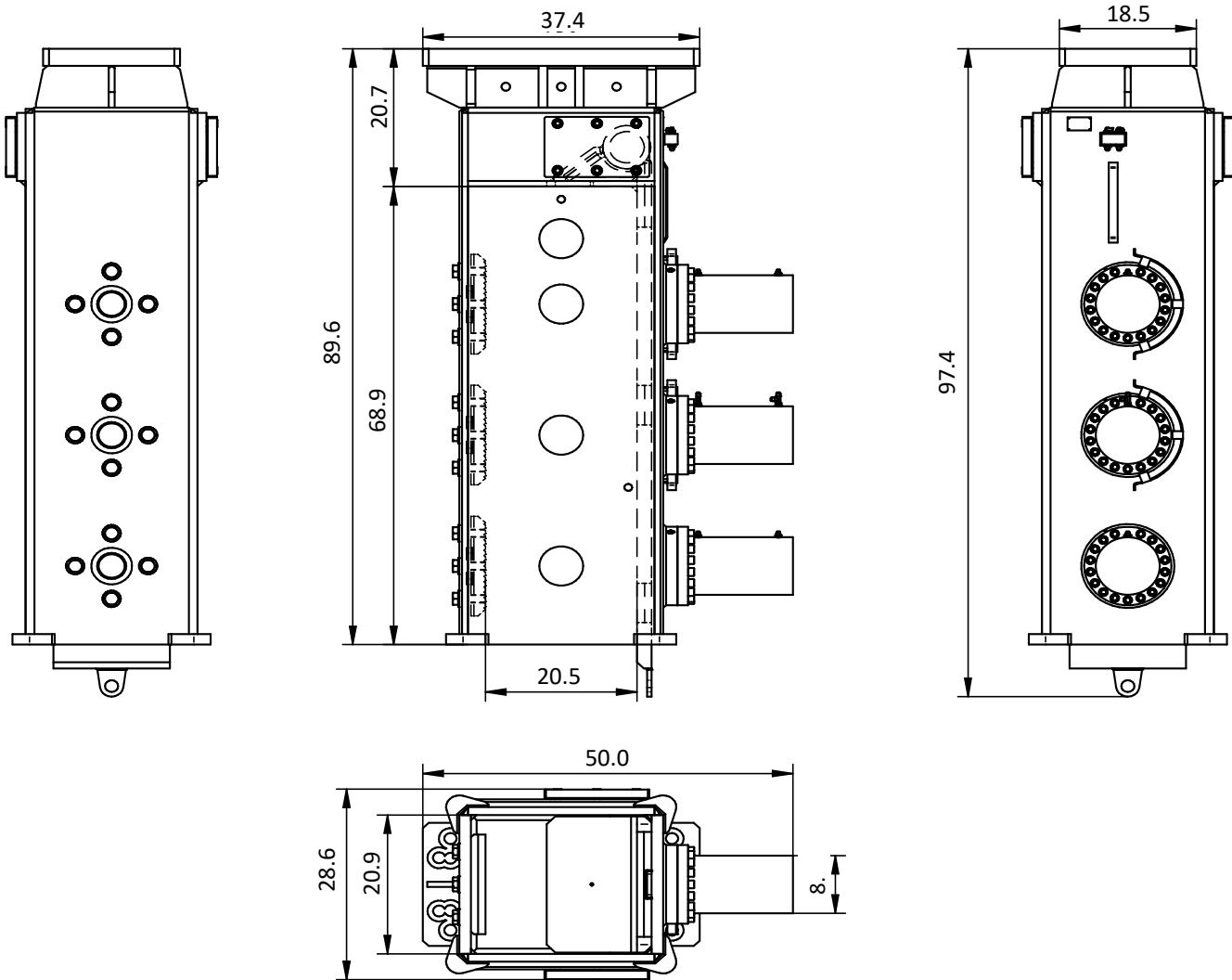
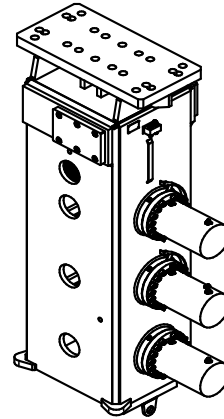
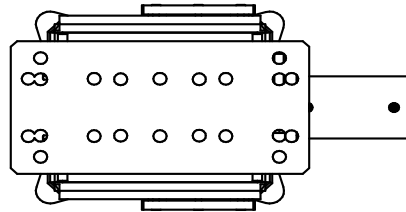
# Specifications

## PVE 180TP

Pile clamp

USA

INCHES



### Specifications

### PVE 180TP

|                        |       |     |
|------------------------|-------|-----|
| Pile clamp             |       |     |
| Clamping force         | 202   | ton |
| Max. operating press.  | 4,351 | psi |
| Max. clamp open press. | 2,611 | psi |
| Weight                 | 6,217 | lbs |