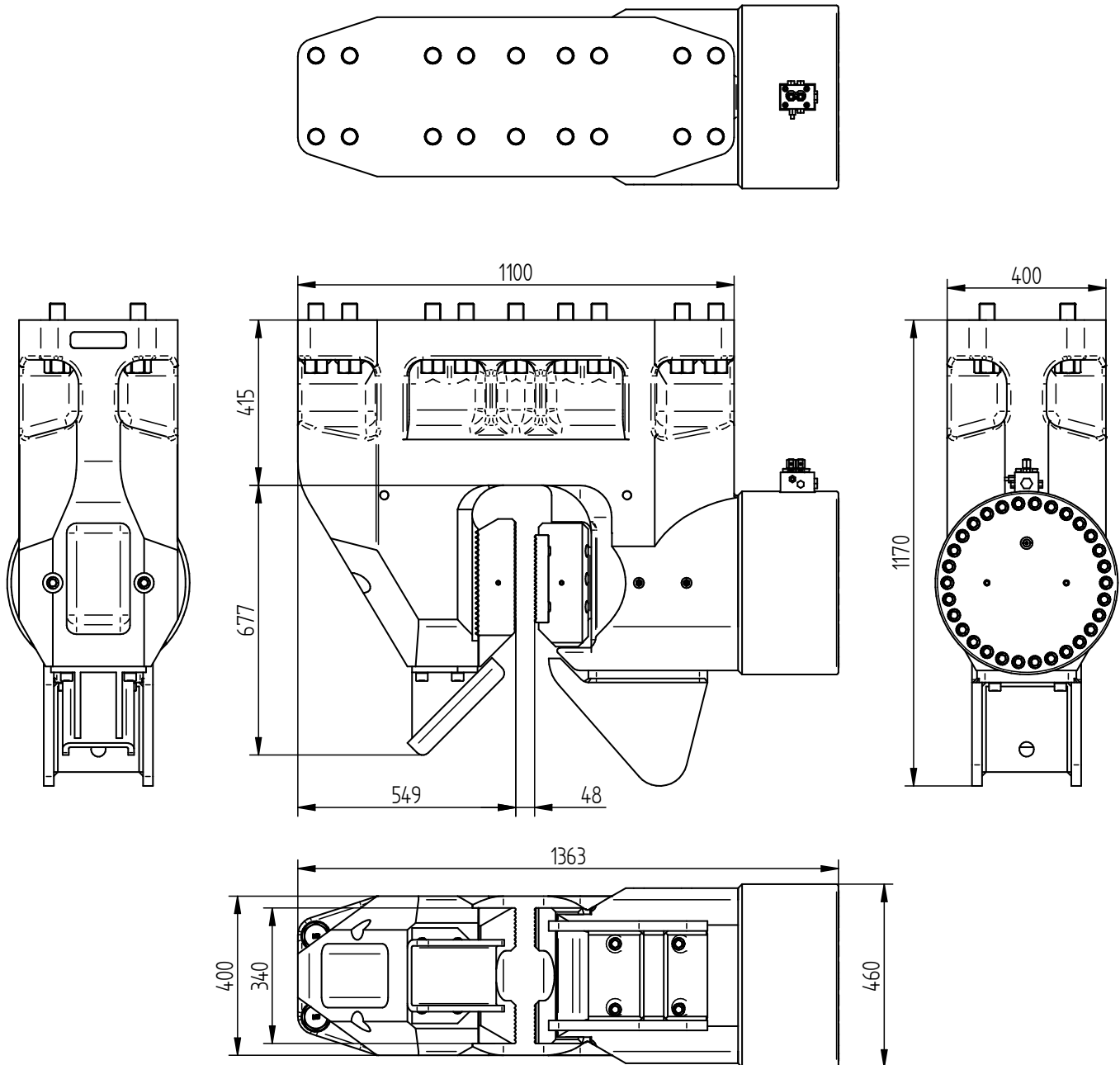


Specifications :

ICE 320TU

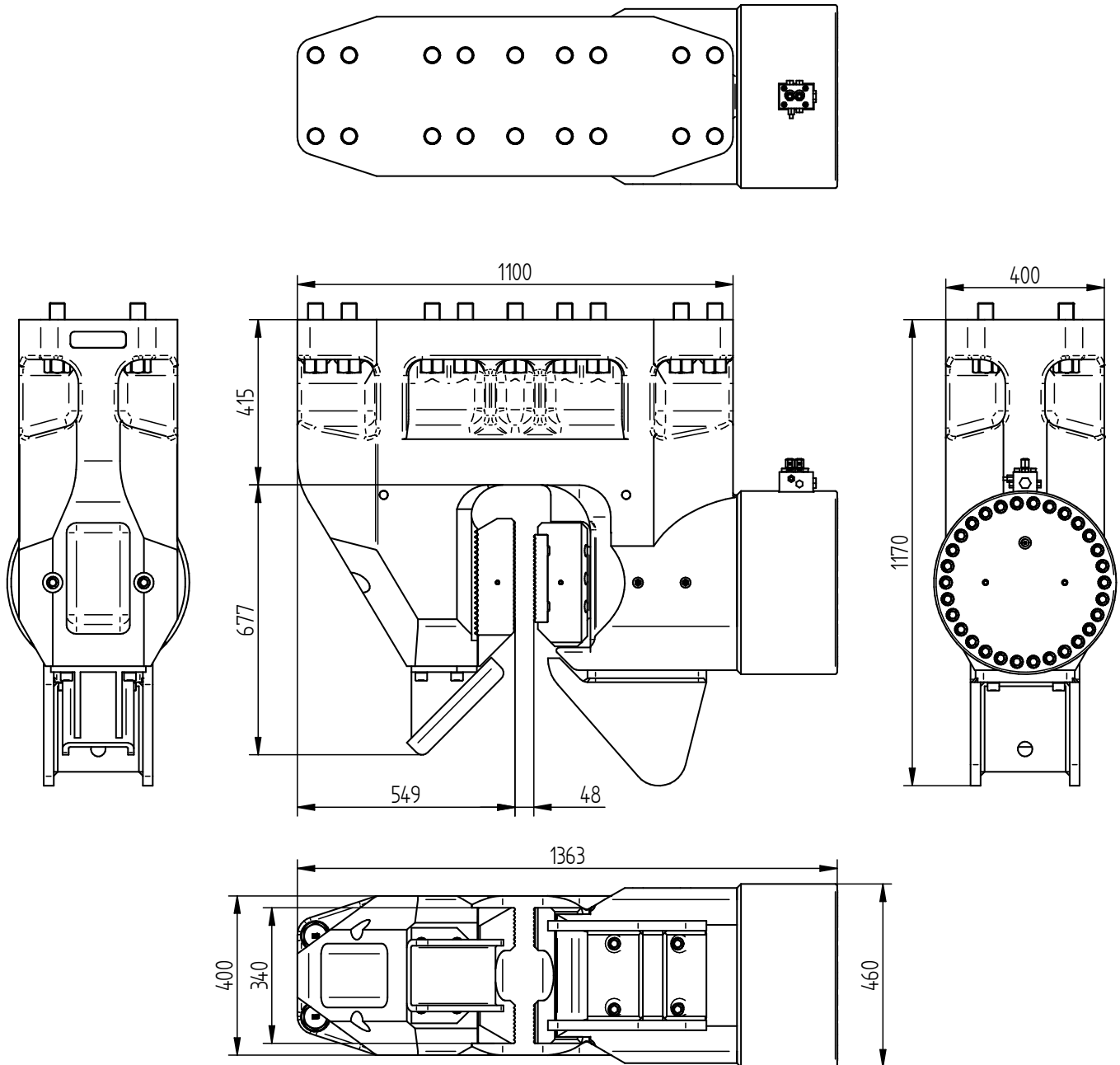
Sheet pile clamp		
Clamping force	3200	kN
Max. operating press.	320	bar
Max. clamp open press.	180	bar
Weight	2500	kg



Technische Daten :

ICE 320TU

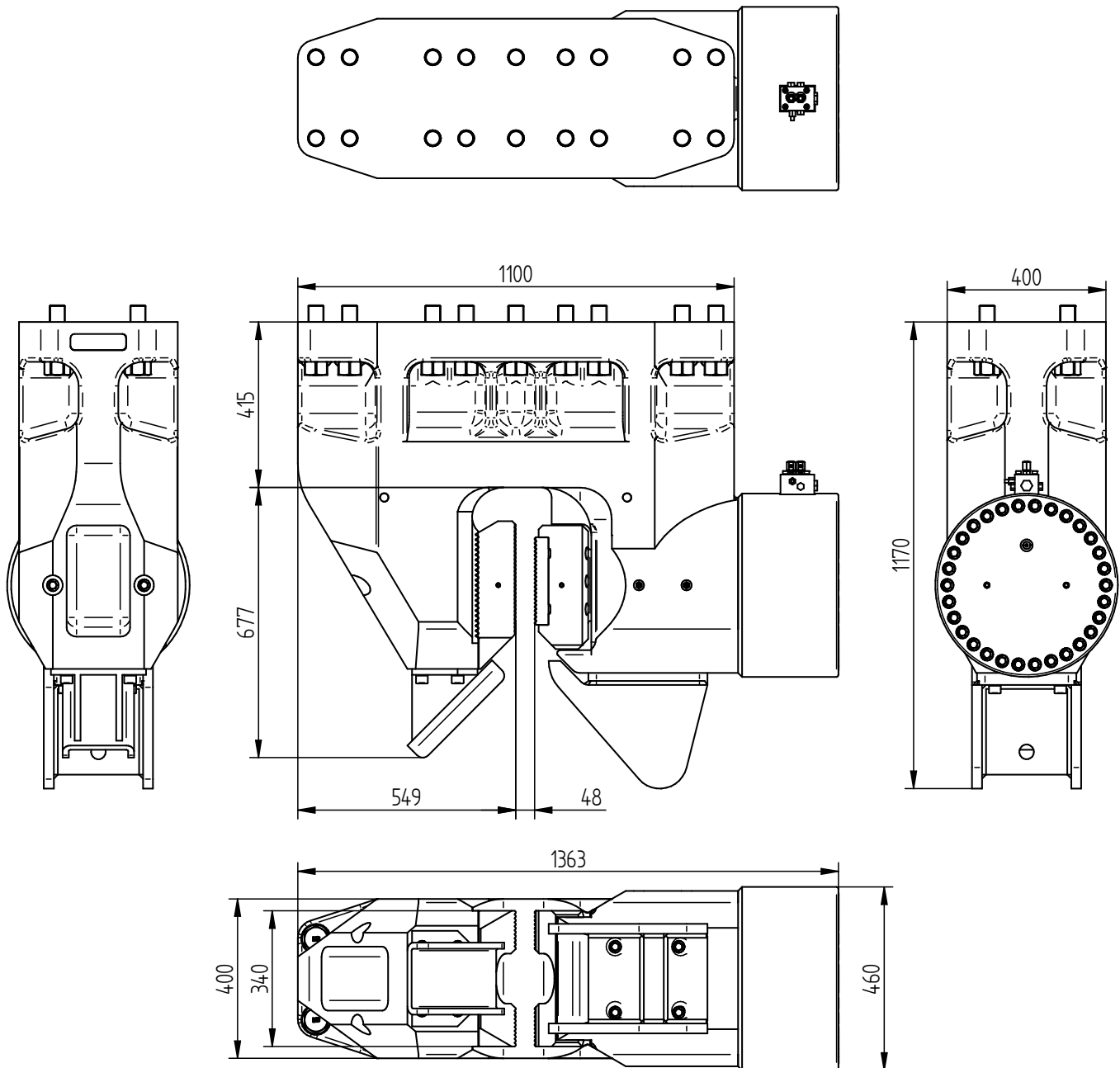
Spundwandzange		
Klemmkraft	3200	kN
Max. Betriebsdruck	320	bar
Max. Druck Zange Offen	180	bar
Gewicht	2500	kg



Spécifications

ICE 320TU

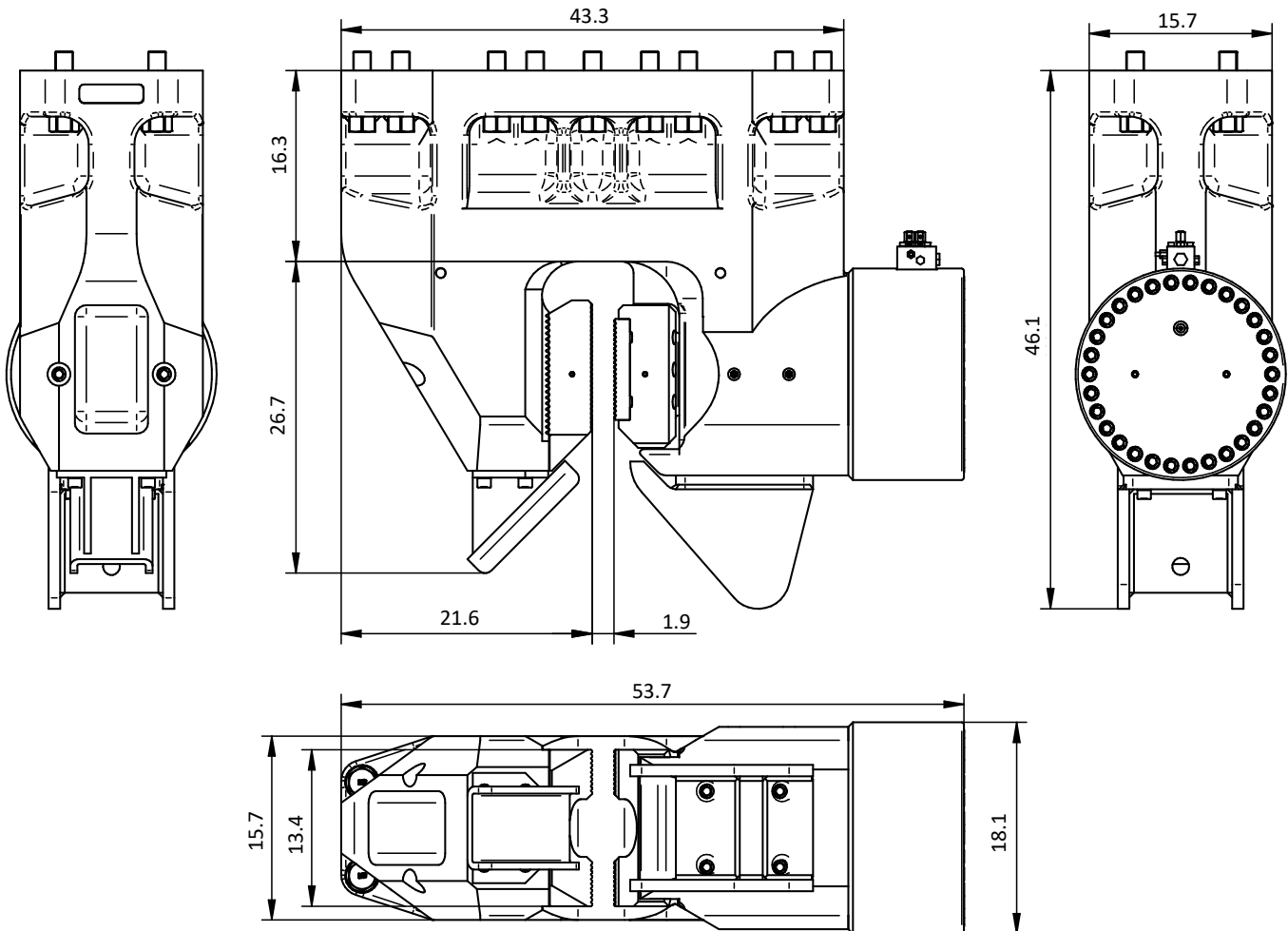
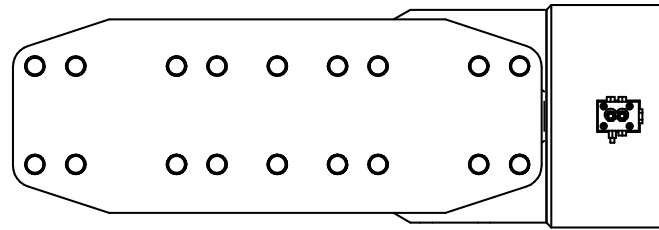
Pince palplanches		
Force de serrage	3200	kN
Pression de travail max.	320	bar
Pression pince ouvert max.	180	bar
Poids	2500	kg



Specificaties

ICE 320TU

Damwandklem		
Klemkracht	3200	kN
Max. werkdruk	320	bar
Max. klem open druk	180	bar
Gewicht	2500	kg



Specifications

ICE 320TU

Sheet pile clamp		
Clamping force	360	ton
Max. operating press.	4,641	psi
Max. clamp open press.	2,611	psi
Weight	5,512	lbs