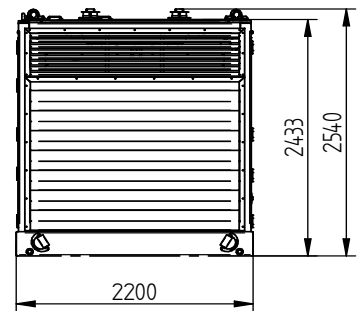
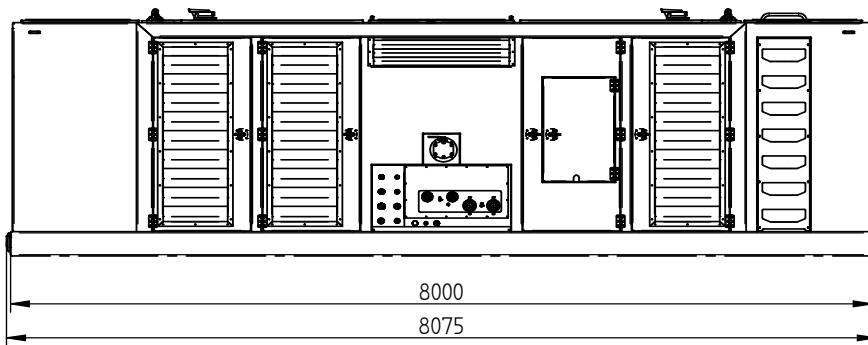
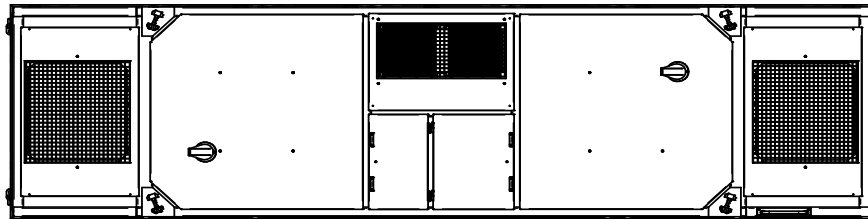


Specifications :

ICE 1600 STAGE V / TIER 4F

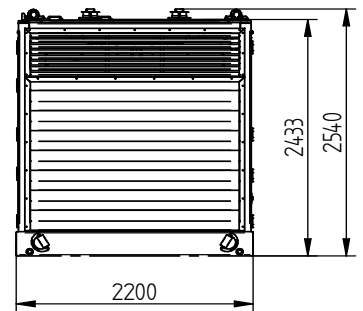
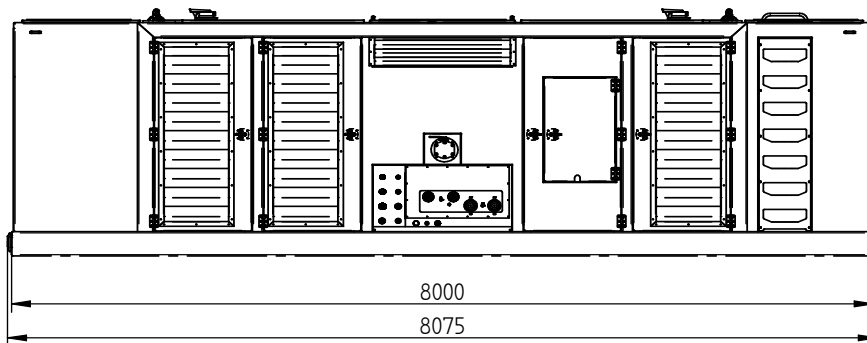
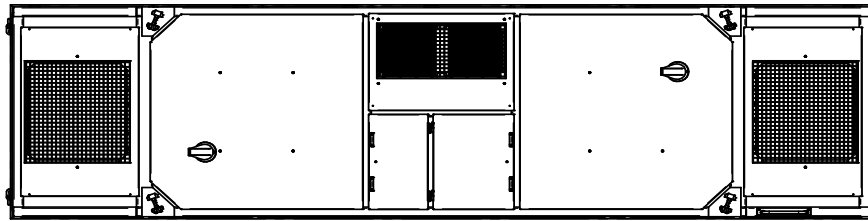
Diesel Engine	Caterpillar C18 (2x)	
Max. theoretical power	1126/1510	kW/HP
Max. frequency	1800	rpm
Max. operating pressure	350	bar
Hydraulic pump	Rexroth	
Max. oil flow	1620	L/min
Diesel oil	2150	L
DEF (AdBlue) capacity	N.A.	L
Hydraulic oil	3100	L
Weight without fuel	17870	kg
Weight filled up	19700	kg



Technische Daten :

ICE 1600 STAGE V / TIER 4F

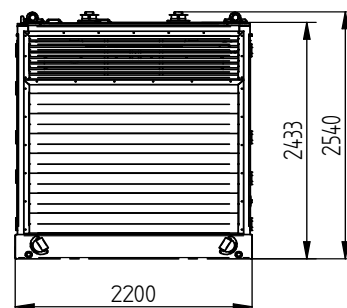
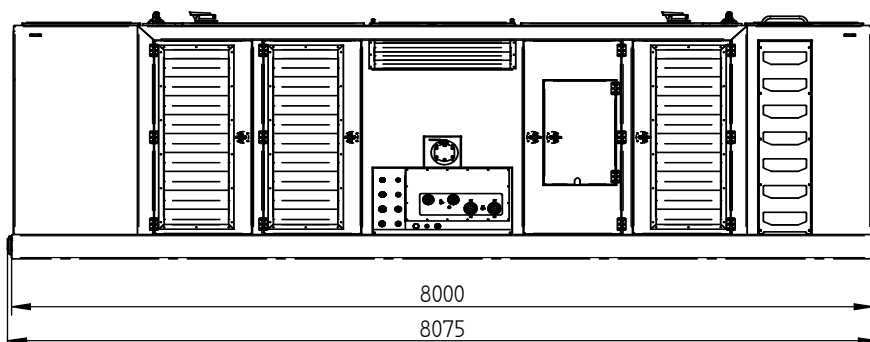
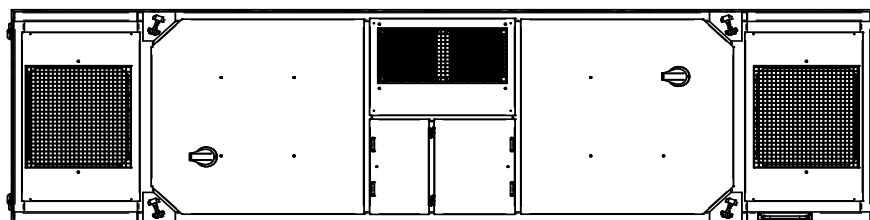
Dieselmotor	Caterpillar C18 (2x)	
Max. theoretische Leistung	1126/1510	kW/HP
Max. Drehzahl	1800	rpm
Max. Betriebsdruck	350	bar
Hydraulische Pumpe	Rexroth	
Max. Fördermenge	1620	L/min
Diesel Öl	2150	L
DAF (AdBlue) kapazität	N.A.	L
Hydraulische Öl	3100	L
Gewicht ohne Diesel Öl	17870	kg
Gewicht	19700	kg



Spécifications

ICE 1600 STAGE V / TIER 4F

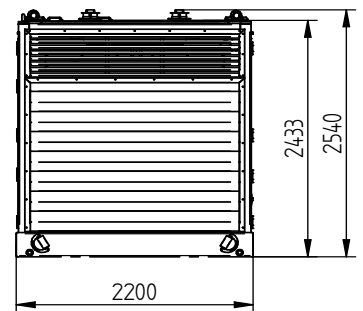
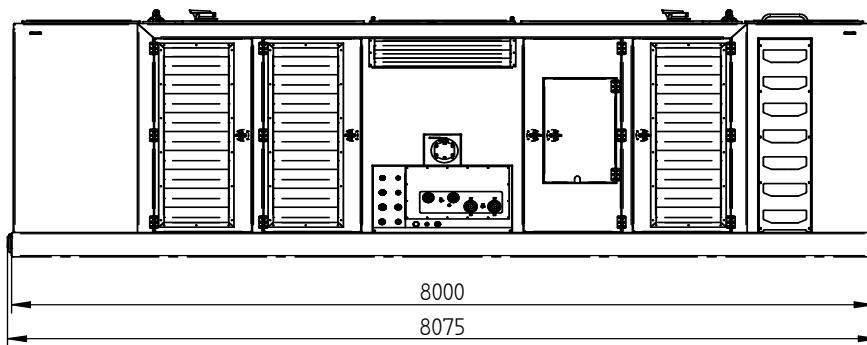
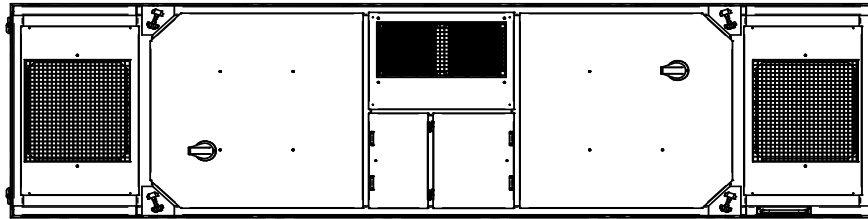
Moteur Diesel	Caterpillar C18 (2x)	
Puissance théorique max.	1126/1510	kW/HP
Max. fréquence	1800	rpm
Pression de travail max.	350	bar
Pompe hydraulique	Rexroth	
Débit d'huile max.	1620	L/min
Huile diesel	2150	L
Capacité FED (AdBlue)	N.A.	L
Huile hydraulique	3100	L
Poids sans huile diesel	17870	kg
Poids	19700	kg



Specificaties

ICE 1600 STAGE V / TIER 4F

Dieselmotor	Caterpillar C18 (2x)	
Max. theoretisch vermogen	1126/1510	kW/HP
Max. toerental	1800	rpm
Max. werkdruk	350	bar
Hydraulische pomp	Rexroth	
Max. olie doorstroming	1620	L/min
Diesel olie	2150	L
DEF (AdBlue) capaciteit	N.A.	L
Hydraulische olie	3100	L
Gewicht zonder diesel	17870	kg
Gewicht	19700	kg



Especificaciones

ICE 1600 STAGE V / TIER 4F

Motor de diesel	Caterpillar C18 (2x)	
Potencia Máxima teórica	1126/1510	kW/HP
Frecuencia máxima	1800	rpm
Presión máxima de trabajo	350	bar
Bomba hidráulica	Rexroth	
Flujo de aceite máximo	1620	L/min
Gasóleo	2150	L
Capacidad DEF (AdBlue)	N.A.	L
El aceite hidráulico	3100	L
Peso sin gasóleo	17870	kg
Peso	19700	kg

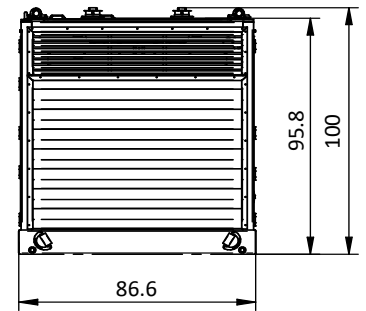
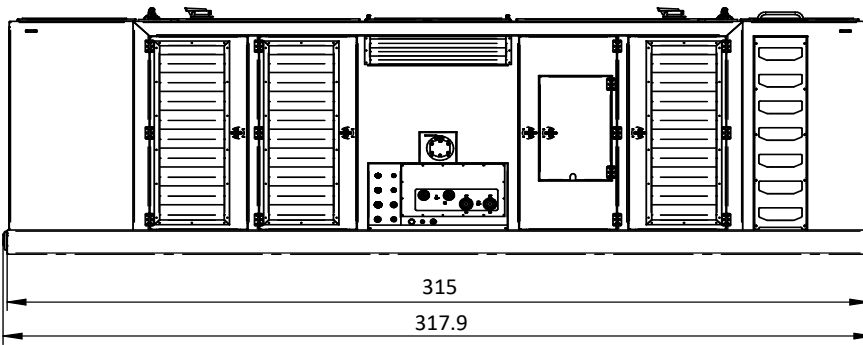
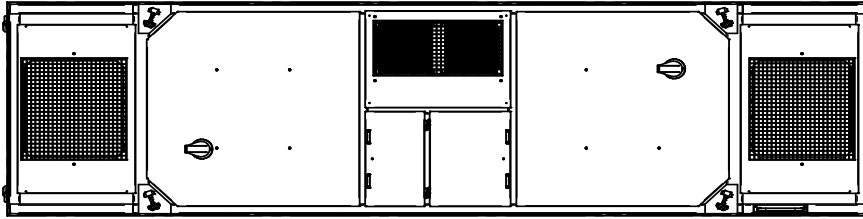
Specifications

ICE 1600 STAGE V / TIER 4F

Hydraulic Power Pack

USA

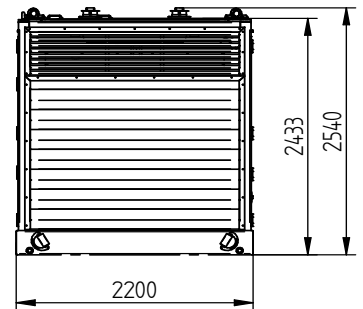
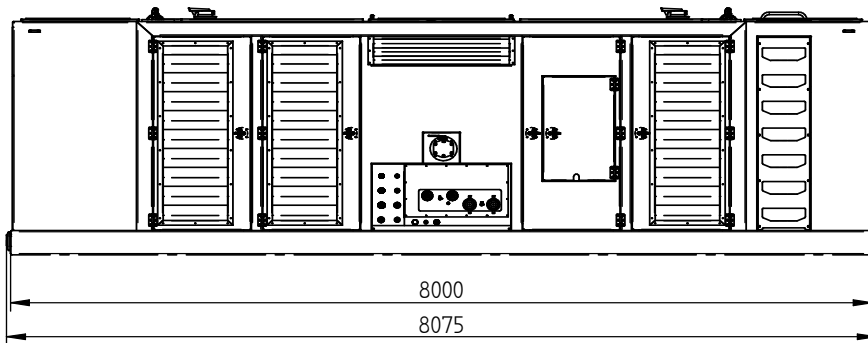
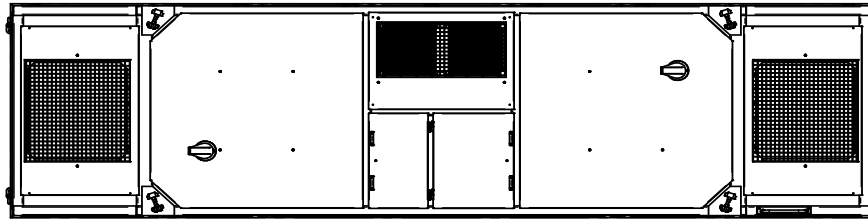
Dimensions in inches



Specifications

ICE 1600 STAGE V / TIER 4F

Diesel Engine	Caterpillar C18 (2x)	
Max. theoretical power	1,126/1,510	kW/HP
Max. frequency	1,800	rpm
Max. operating pressure	5,076	psi
Hydraulic pump	Rexroth	
Max. oil flow	428	gal/min
Diesel Fuel	568	gal
DEF (AdBlue) capacity	N.A.	gal
Hydraulic oil	819	gal
Weight without fuel	39,397	lbs
Weight with fuel	43,431	lbs



Specificatii :

ICE 1600 STAGE V / TIER 4F

Motor diesel	Caterpillar C18 (2x)	
Puterea maxima teoretica	1126/1510	kW/HP
Frecventa maxima	1800	rpm
Presiune maxima de lucru	350	bar
Pompa hidraulica	Rexroth	
Debit maxim de ulei	1620	L/min
motorină	2150	L
Capacitate rezervor aditiv AdBlue	N.A.	L
Ulei hidraulic	3100	L
Greutatea fara combustibil	17870	kg
Greutatea cu combustibil	19700	kg