



NEWS
Special and Custom
Solutions

Three-Finger-Grapple KM 634-0,30-Z3



www.kinshofer.com

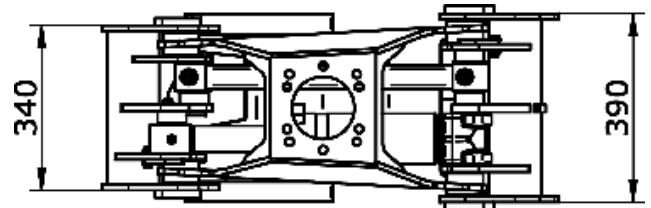
The three-finger-grapple KM 634-0,30-Z3 is the ideal tool for loading choppers.

The high closing force is just one of many features as well as the low self-weight.

An integrated check valve guarantees the safe retention of loads and thus a secure operation.

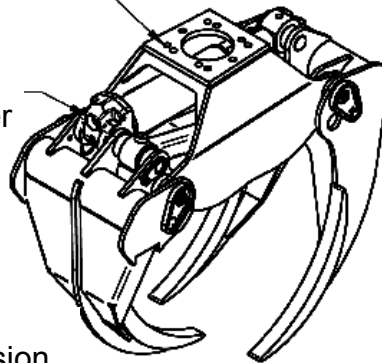
The tips of the tines are made of the highly wear resistant material Hardox 400 and extremely robust.

Thanks to the mounted rotator, a precise positioning of the grapple is no problem.



2 connection hole patterns
4x D17-140x140
6x D17-D173

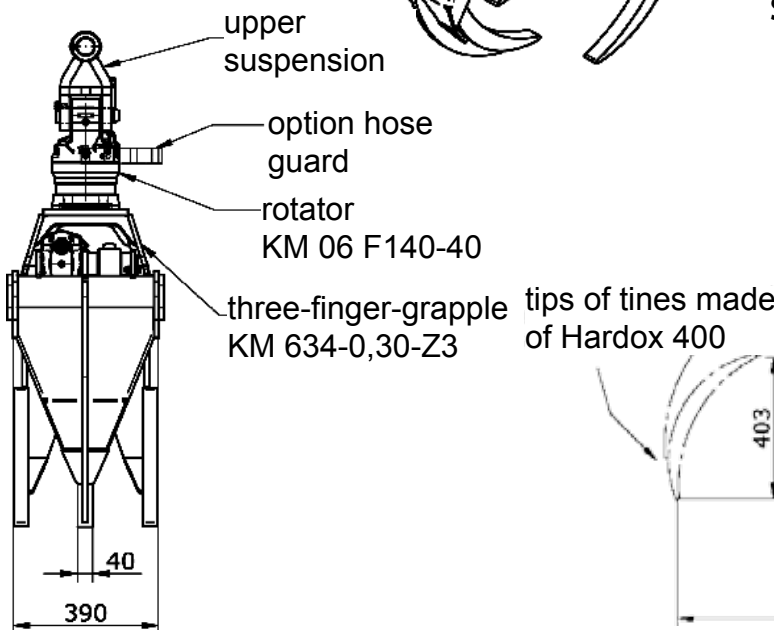
non-return valve
integrated in cylinder



TECHNICAL DATA:

Operating pressure:	240 bar
Pump capacity:	40 - 75 l/min
Loading capacity:	4000 kg
Closing force:	13 kN
Volume:	0,30 m²
Self-weight:	190 kg

www.kinshofer.com



We reserve the right to amend specifications without prior notice! **KINSHOFER** GmbH, D- 83666 Waakirchen, Germany

Main Office Germany:
KINSHOFER GmbH
Hauptstrasse 76
83666 Waakirchen
Tel.: +49 (0)8021 – 88 99 0
Fax: +49 (0)8021 – 88 99 37
Email: info@kinshofer.com

France:
KINSHOFER France S.A.R.L.
B.P. 20100
67213 Obernai Cedex
Tel.: +33 (0) 3 88 39 55 00
Fax: +33 (0) 3 88 79 06 75
Email: info@kinshofer.fr

General Agency for Benelux:
Rigter Handelsonderneming B.V.
Nieuwe Maatsweg 7
NL-3755 NP Eemnes
Tel.: +31 (0) 35 53 10628
Fax: +31 (0) 35 53 17462
Mobil: +31 (0) 653 - 370935
+31 (0) 651 - 366420
Email: gf.rigter@gmail.com gfjm.rigter@hccnet.nl

United Kingdom:
KINSHOFER UK Ltd.
4 Milton Industrial Court
Horsfield Way, Bredbury
Stockport, Cheshire, SK6 2TA
Tel.: +44 (0)161 – 406 7046
Fax: +44 (0)161 – 406 7014
Email: sales@kinshofer.co.uk

... everywhere in front

KINSHOFER
crane and excavator attachments

