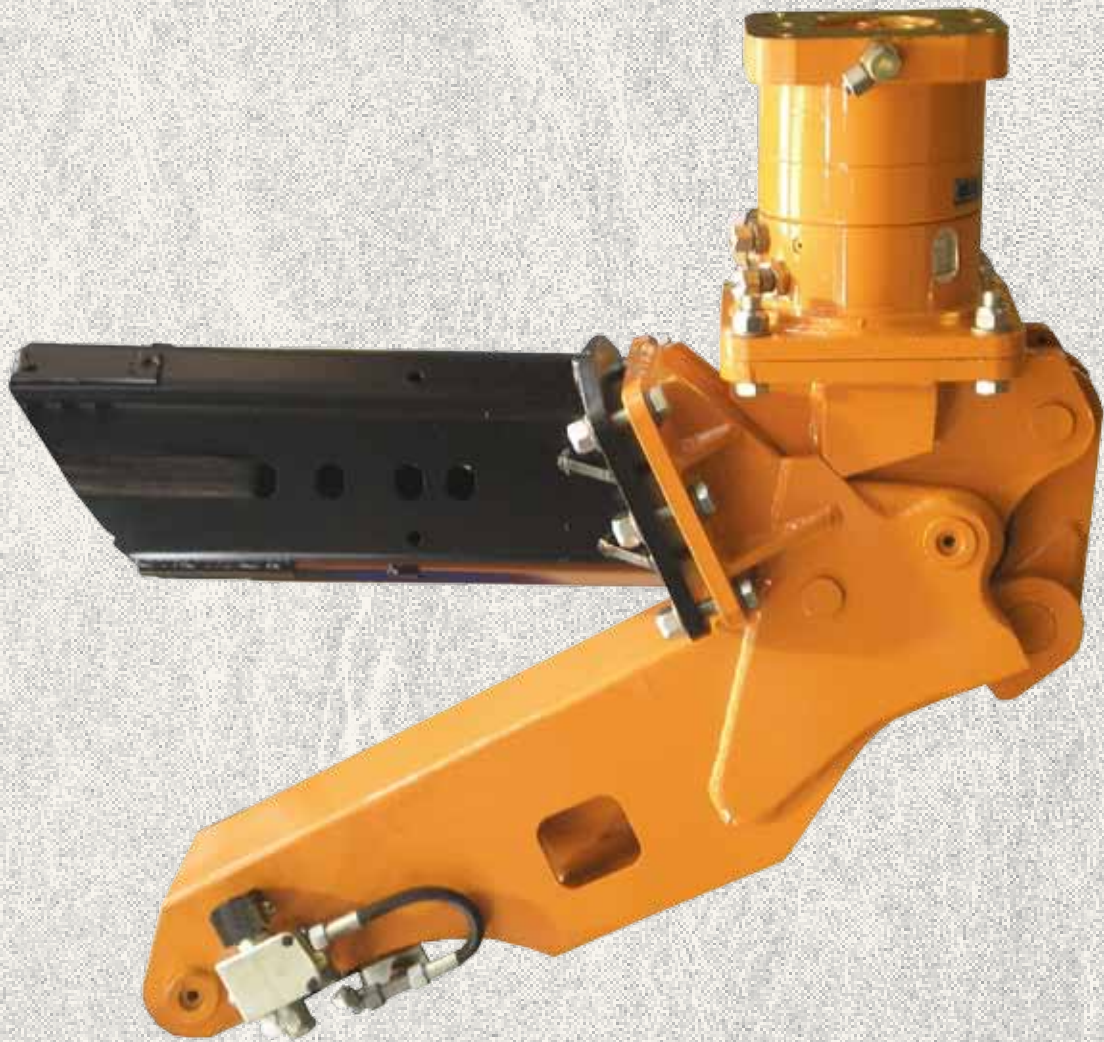


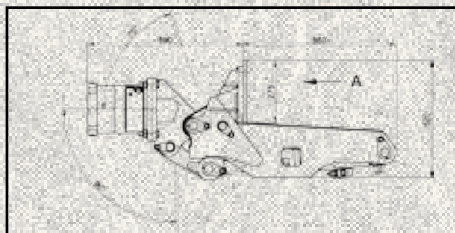


2-Axes-Manipulator KM 931

NEWS
**Special and Custom
Solutions**



www.kinshofer.com



700285/2010

The 2-axes-manipulator KM 931 by **KINSHOFER** is the ideal tool for the positioning of elements in the construction of tunnels. Special attention should be paid here to the hydraulic clearing of the tip cylinder. This cylinder is cleared after the docking at the steel beam.



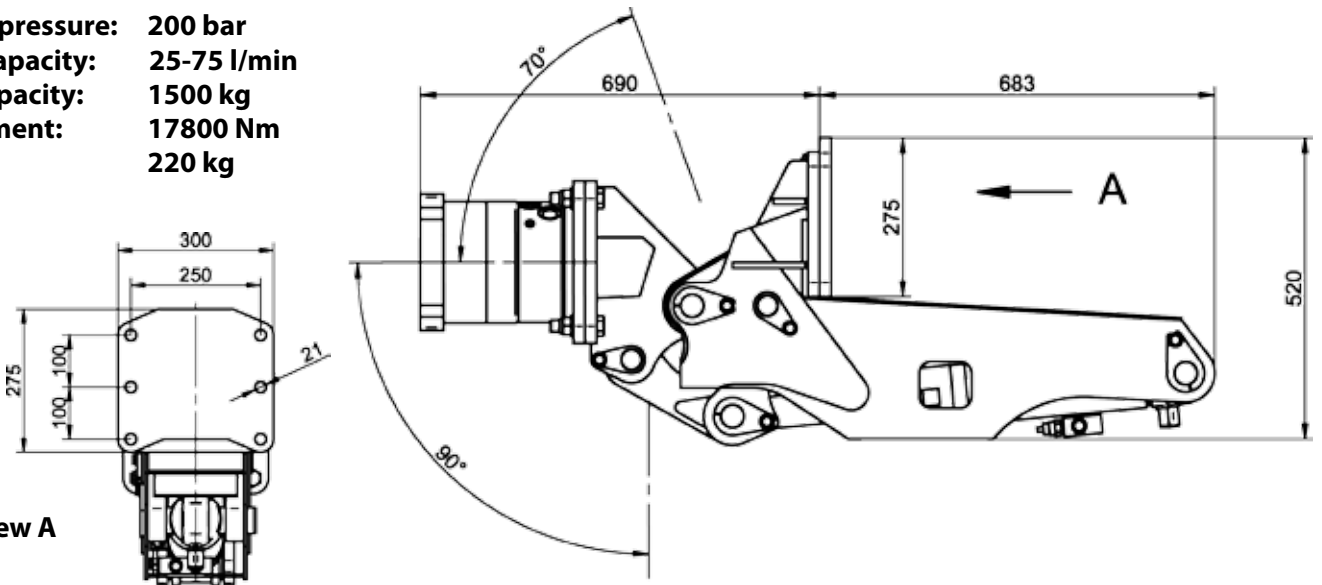
Hydraulic clearing

Thus the element aligns itself always vertically as the center of gravity is below the manipulator. Thereby the delicate steel reinforcements will not be crooked and a readjustment when positioning is not necessary.



TECHNICAL DATA:

- Service pressure:** 200 bar
- Pump capacity:** 25-75 l/min
- Load capacity:** 1500 kg
- Tilt moment:** 17800 Nm
- Weight:** 220 kg



More special and custom solutions can be found on our website under „Downloads“, „Products“ or the „Product News Archive“. You also have the possibility to apply for our newsletter on our website under „Service“.

We reserve the right to amend specifications without prior notice! **KINSHOFER** GmbH, D- 83666 Waakirchen, Germany

Hauptsitz Deutschland:
KINSHOFER GmbH
 Hauptstrasse 76
 83666 Waakirchen
 Tel.: +49 (0)8021 – 88 99 0
 Fax: +49 (0)8021 – 88 99 37
 Email: info@kinshofer.com

United Kingdom:
KINSHOFER UK Ltd.
 4 Milton Industrial Court
 Horsfield Way, Bredbury
 Stockport, Cheshire, SK6 2TA
 Tel.: +44 (0)161 – 406 7046
 Fax: +44 (0)161 – 406 7014
 Email: sales@kinshofer.co.uk

France:
KINSHOFER France S.A.R.L.
 B.P. 20100
 F-67213 Obernai Cedex
 Tel.: +33(0) 3 88 39 55 00
 Fax: +33(0) 3 88 79 06 75
 Email: info@kinshofer.fr

North America:
KINSHOFER North America
 5040 Mainway Drive, Unit #11
 Burlington, ON L7L 7G5
 Tel.: +1 (905) 335 2856
 Fax: +1 (905) 335 4529
 Toll Free (North America):
 +1 (800) 268 9525
 Email: sales-northamerica@kinshofer.com

Česká Republika a Slovinsko:
KINSHOFER CZ s.r.o.
 Cs. Legii 568
 CZ-37810 Ceske Velenice
 Tel.: +420 384 – 795 110
 Fax: +420 384 – 795 120
 Email: v.blazek@kinshofer.com

Suomi:
KINSHOFER APONOX Oy
 Tölkkimäentie 8
 FI-13130 Hämeenlinna
 Tel.: +358 (0)75 7540 200
 Fax: +358 (0)75 7540 210
 Email: info@kinshofer-aponox.com
 Website: www.kinshofer-aponox.com

Zhong Guo:
KINSHOFER Construction Machinery Co. Ltd.
 Unit #306, Landmark Tower 2
 8 Dongsanhuan Road
 Beijing 100004
 Tel.: +86 (10) 6590 6422
 Fax: +86 (10) 6590 6423
 Email: info@darda.com.cn
 Website: www.darda.com.cn

Importador para España y Portugal:
 Mycsa Mulder y Co.
 Importaciones - Exportaciones S.A.
 Sierra de Guadarrama, 2
 Parque Empresarial San Fernando (Apdo. 1026)
 E-28830 San Fernando de Henares
 Tel.: +34 91 660 04 60
 Fax: +34 91 660 04 61
 E-mail: mycsa@mycsamulder.es
 Web: www.mycsamulder.es

Generalvertrating voor Benelux:
 Rigter Handelsonderneming B.V.
 Nieuwe Maatsweg 7
 NL-3755 NP Eemnes
 Tel.: +31 (0) 35 53 10628
 Fax: +31 (0) 35 53 17462
 Mobil: +31 (0) 653 - 370935
 +31 (0) 651 - 366420
 Email: gf.rigter@gmail.com
 Email: kees.rigter@gmail.com

www.kinshofer.com

KINSHOFER is an ISO 9001 certified Company. DVS ZERT is a registered trademark of DVS ZERT e.V., Düsseldorf.

Up front, everywhere

KINSHOFER

crane and excavator attachments