

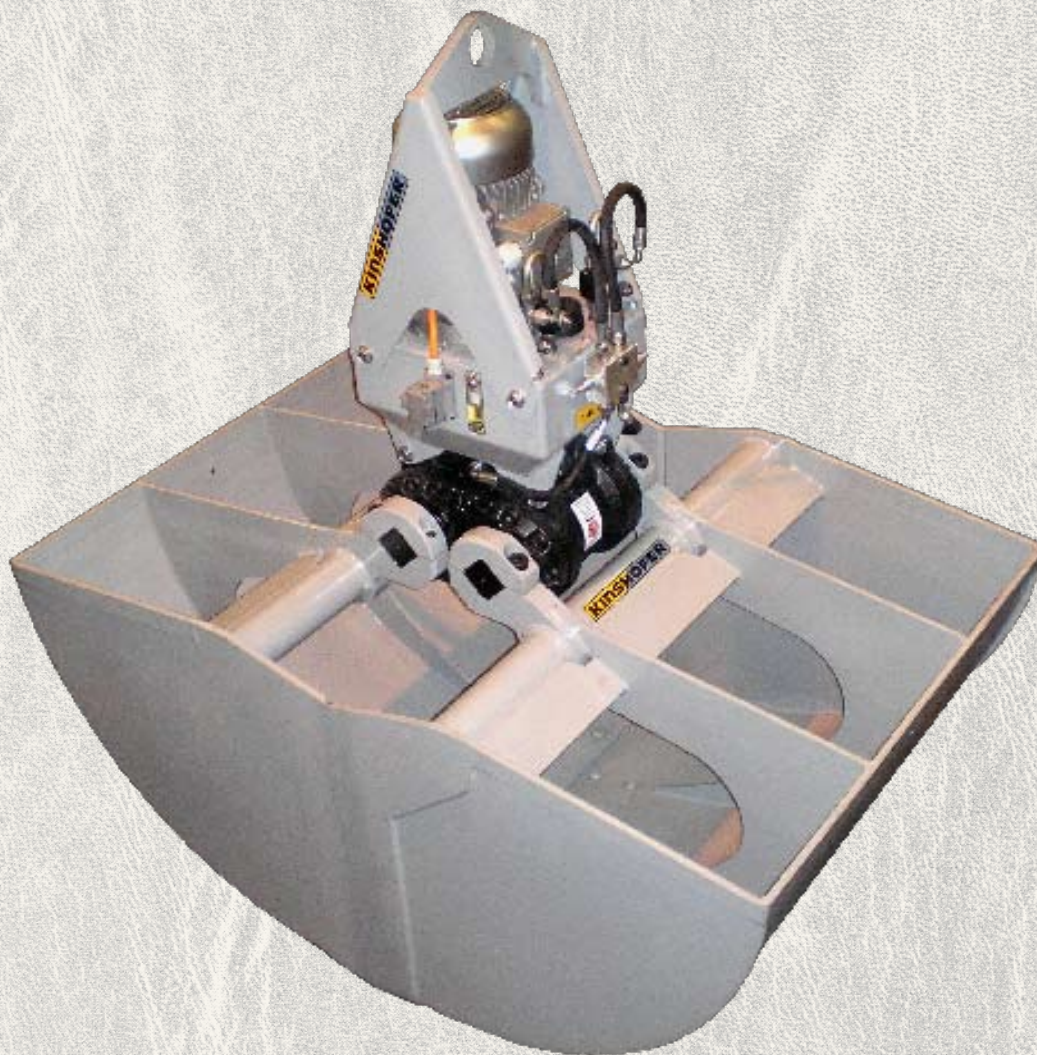


NEWS

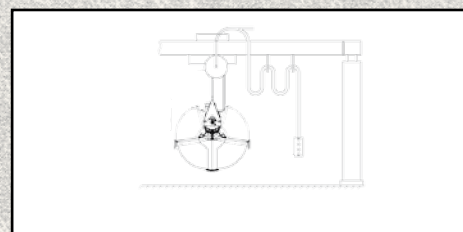
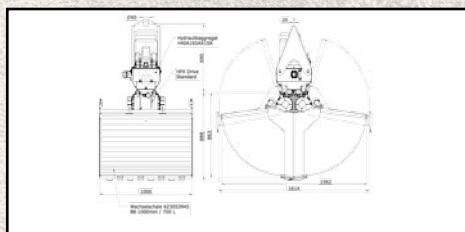
**Special and Custom
Solutions**

**Hydraulic Aggregate
with Turn Control**

KM 940-W



www.kinshofer.com



KM 940-W Hydraulic Aggregate with Turn Control and *HPXdrive Standard*

The new grapple with the hydraulic aggregate KM 940-W with turn control for gantry cranes and ***HPXdrive Standard*** from **KINSHOFER** impresses with its special activation of the aggregate. Only by turning two bezels of the electrical connection of the electric motor, the motor turns one time to the left and one time to the right. Thereby the activated pump pumps into another direction respectively and thus opens or closes the grapple.

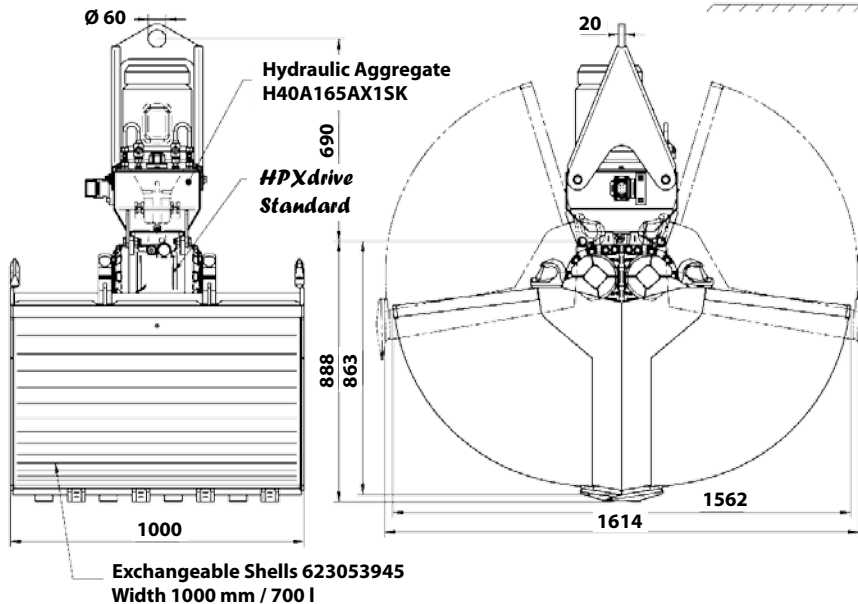
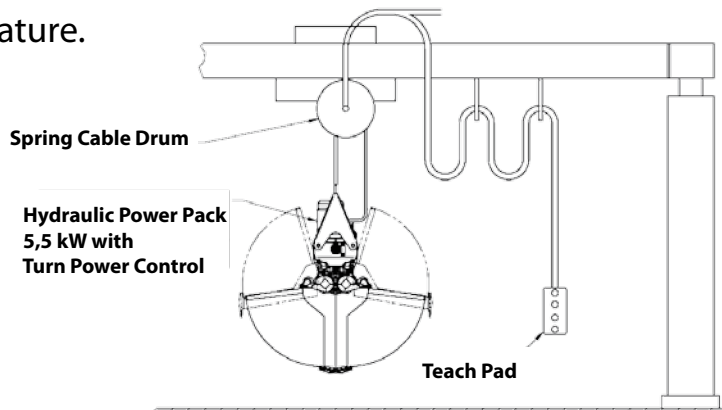
Thanks to the ***HPXdrive Standard*** the aggregate is maintenance free.

Fast shell exchange is an additional feature.



TECHNICAL DATA AGGREGATE:

Oper. pressure: 210 bar
Pump capacity: 16,5 l/min
Capacity: 3000 kg
Tank vol. max.: 18 l
Weight: 90 kg
Motor: 5,5 kW



We reserve the right to amend specifications without prior notice! **KINSHOFER** GmbH, D- 83666 Waakirchen, Germany

Main Office Germany:
KINSHOFER GmbH
 Hauptstrasse 76
 83666 Waakirchen
 Tel.: +49 (0)8021 – 88 99 0
 Fax: +49 (0)8021 – 88 99 37
 Email: info@kinshofer.com

France:
KINSHOFER France S.A.R.L.
 B.P. 20100
 67213 Obernai Cedex
 Tel.: +33 (0) 3 88 39 55 00
 Fax: +33 (0) 3 88 79 06 75
 Email: info@kinshofer.fr

General Agency for Benelux:
 Rigter Handelsonderneming B.V.
 Nieuwe Maatsweg 7
 NL-3755 NP Eemnes
 Tel.: +31 (0) 35 53 10628
 Fax: +31 (0) 35 53 17462
 Mobil: +31 (0) 653 - 370935
 +31 (0) 651 - 366420
 Email: gf.rigter@gmail.com gfjm.rigter@hccnet.nl

United Kingdom:
KINSHOFER UK Ltd.
 4 Milton Industrial Court
 Horsfield Way, Bredbury
 Stockport, Cheshire, SK6 2TA
 Tel.: +44 (0)161 – 406 7046
 Fax: +44 (0)161 – 406 7014
 Email: sales@kinshofer.co.uk

... everywhere in front

KINSHOFER
 crane and excavator attachments