

Earth Drills 1-5t / 2200-11000lbs

X1500 / X2000 / X2500 / 3000MAX / 3500MAX / 4500MAX

The robust earth drills for micro and mini excavators from 1t/2200lbs to 5t/11000lbs operating weight are an economical and customized solution for drilling holes for e.g. fencing, road signage, landscaping and tree planting. Well borings, screw pile installations and sound barrier installations are also no problem for the earth drills.

- ▷ **Non Dislodgement Shaft (NDS)** for more safety and lower down times, as this unique construction prevents the output shaft from dislodgement.
- ▷ **Pre-filled with a colored gear oil.** Not only is the use of a colored oil a good indicator of correct service, but it also aids identifying possible hydraulic oil leaks.
- ▷ The heavy duty fabricated hoods feature **forged steel ears**; these high strength ears easily transmit the high torsional loads, experienced whilst drilling, without becoming fatigued.
- ▷ **Easy access oil service points.**



Earth Drills X1500 / X2000 / X2500 / 3000MAX / 3500MAX / 4500MAX

Type	Operating weight (t/lbs)	Shaft (mm/in)	Rotations (RPM)	Height (mm/in)	Diameter (mm/in)	Weight (kg/lbs)	Matching augers
X1500	1-2 / 2200-4400	65/2.5 round	44 - 98	585 / 23	200 / 7.8	46 / 101	S4 100 - 400
X2000	1-2,5 / 2200-5500	65/2.5 round	43 - 99	585 / 23	200 / 7.8	47 / 103	S4 100 - 450
X2500	1,5-3 / 3300-6600	65/2.5 round	36 - 87	585 / 23	200 / 7.8	48 / 105	S4 100 - 500
3000MAX	2-4 / 4400-8800	65/2.5 round	36 - 100	665 / 26	244 / 9.6	71 / 156	S4 100 - 600
3500MAX	2,5-4,5 / 5500-9900	65/2.5 round	42 - 90	665 / 26	244 / 9.6	73 / 160	S4 100 - 750
4500MAX	3-5 / 6600-11000	65/2.5 round	43 - 81	665 / 26	244 / 9.6	75 / 165	S4 100 - 900

Package consists of: earth drill

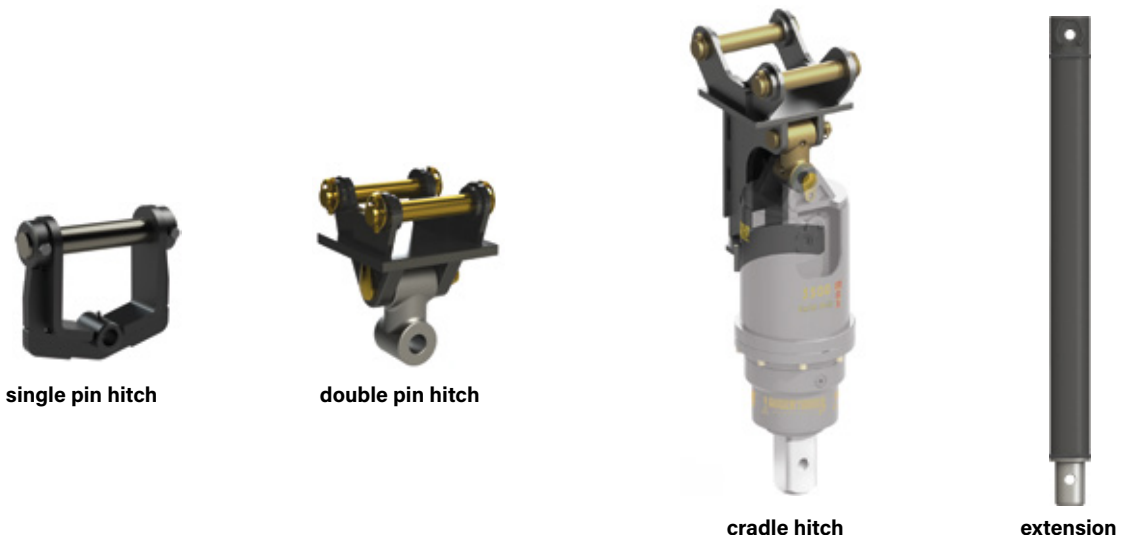
Accessories

Type	Description
S4 Ext-E 500	extension for X1500 to 4500MAX and S4 augers – 500mm/19.6in length
S4 Ext-E 1000	extension for X1500 to 4500MAX and S4 augers – 1000mm/39.3in length
S4 TeleExt-E 1000	telescopic extension for X1500 to 4500MAX and S4 augers – 1000mm/39.3in length
single pin hitch	for earth drills X1500 to 4500MAX
double pin hitch	for earth drills X1500 to 4500MAX
cradle hitch	for earth drills X1500 to 4500MAX

Technical data

Type	X1500	X2000	X2500	3000MAX	3500MAX	4500MAX
Hydr. pressure:	70 - 205 bar 1015 - 2970 psi	70 - 240 bar 1015 - 3480 psi	70 - 240 bar 1015 - 3480 psi	80 - 240 bar 1160 - 3480 psi	80 - 240 bar 1160 - 3480 psi	80 - 240 bar 1160 - 3480 psi
Oil flow:	20 - 45 l/min 5 - 11.8 GPM	25 - 57 l/min 6.5 - 15 GPM	27 - 65 l/min 7.1 - 17.2 GPM	27 - 75 l/min 7.1 - 20 GPM	40 - 85 l/min 10.5 - 22.5 GPM	50 - 95 l/min 13 - 25.1 GPM
Torque range:	511 - 1496 Nm 376 - 1103 ft.lbs	639 - 2190 Nm 471 - 1615 ft.lbs	830 - 2847 Nm 612 - 2099 ft.lbs	959 - 2877 Nm 707 - 2121 ft.lbs	1205 - 3614 Nm 888 - 2665 ft.lbs	1500 - 4499 Nm 1106 - 3318 ft.lbs

Pictures



The robust earth drills for excavator from 5t/11000lbs to 8t/17600lbs operating weight are an economical and customized solution for drilling holes for e.g. fencing, road signage, landscaping and tree planting. Well borings, screw pile installations and sound barrier installations are also no problem for the earth drills. The earth drills are also suitable for backhoes

- ▷ **Non Dislodgement Shaft (NDS)** for more safety and lower down times, as this unique construction prevents the output shaft from dislodgement.
- ▷ **Pre-filled with a colored gear oil.** Not only is the use of a colored oil a good indicator of correct service, but it also aids identifying possible hydraulic oil leaks.
- ▷ The heavy duty fabricated hoods feature **forged steel ears**; these high strength ears easily transmit the high torsional loads, experienced whilst drilling, without becoming fatigued.
- ▷ **Easy access oil service points.**



Earth Drills 5500MAX / 7000MAX / 8000MAX

Type	Operating weight (t/lbs)	Shaft (mm/in)	Rotations (RPM)	Height (mm/in)	Diameter (mm/in)	Weight (kg/lbs)	Matching augers
5500MAX	4,5-7 / 9900-15400	75 / 2.9 square	30 - 87	780 / 30.7	269 / 10.5	108 / 237.6	S5 150 - 750
7000MAX	5-7 / 11000-15400	75 / 2.9 square	36 - 81	780 / 30.7	269 / 10.5	112 / 246.4	S5 150 - 900
8000MAX	6-8 / 13200-17600	75 / 2.9 square	33 - 70	780 / 30.7	269 / 10.5	116 / 255.2	S5 150 - 1000

Package consists of: earth drill

Accessories

Type	Description
S5 Ext-E 1000	extension for earth drills and S5 augers – 1000mm/39.3in Länge
S5 Ext-E 1500	extension for earth drills and S5 augers – 1500mm/59in Länge
S5 Ext-E 2000	extension for earth drills and S5 augers – 2000mm/78.7in Länge
S5 TeleExt-E 1500	telescopic extension for earth drills and S5 augers from diameter 300mm/11.8in – 1500mm/59in length
S5 TeleExt-E 2000	telescopic extension for earth drills and S5 augers from diameter 300mm/11.8in – 2000mm/78.7in length
single pin hitch	for earth drills
double pin hitch	for earth drills
cradle hitch	for earth drills

Technical data

Type	5500MAX	7000MAX	8000MAX
Hydraulic pressure:	80 - 260 bar / 1160 - 3770 psi	80 - 260 bar / 1160 - 3770 psi	80 - 260 bar / 1160 - 3770 psi
Oil flow:	40 - 115 l/min / 10.5 - 30.3 GPM	60 - 135 l/min / 16 - 35.6 GPM	70 - 150 l/min / 18.5 - 40 GPM
Torque range:	1685 - 5477 Nm / 1242 - 4039 ft.lbs	2133 - 6931 Nm / 1573 - 5111 ft.lbs	2717 - 8152 Nm / 2003 - 6012 ft.lbs

Pictures



The robust earth drills 12000MAX for excavator from 8t/17600lbs to 13t/28600lbs and 15000MAX for excavator from 10t/22000lbs to 15t/33000lbs operating weight are an economical and customized solution for drilling holes for e.g. fencing, road signage, landscaping and tree planting. Well borings, screw pile installations and sound barrier installations are also no problem for the earth drills.

- ▷ **Non Dislodgement Shaft (NDS)** for more safety and lower down times, as this unique construction prevents the output shaft from dislodgement.
- ▷ **Pre-filled with a colored gear oil.** Not only is the use of a colored oil a good indicator of correct service, but it also aids identifying possible hydraulic oil leaks.
- ▷ The heavy duty fabricated hoods feature **forged steel ears**; these high strength ears easily transmit the high torsional loads, experienced whilst drilling, without becoming fatigued.
- ▷ **Easy access oil service points.**
- ▷ Optional for screw pile installation: **torque meter** for real time applied torque measuring.



Earth Drill 12000MAX / 15000MAX						
Type	Shaft	Rotations	Height	Diameter	Weight	Matching augers
	(mm/in)	(RPM)	(mm/in)	(mm/in)	(kg/lbs)	
12000MAX	75 / 2.9 square	25 - 54	930 / 36.6	290 / 11.4	172 / 378.4	S6 150 - 1000
15000MAX	75 / 2.9 square	20 - 43	930 / 36.6	290 / 11.4	173 / 380.6	S6 150 - 1200

Package consists of: earth drill

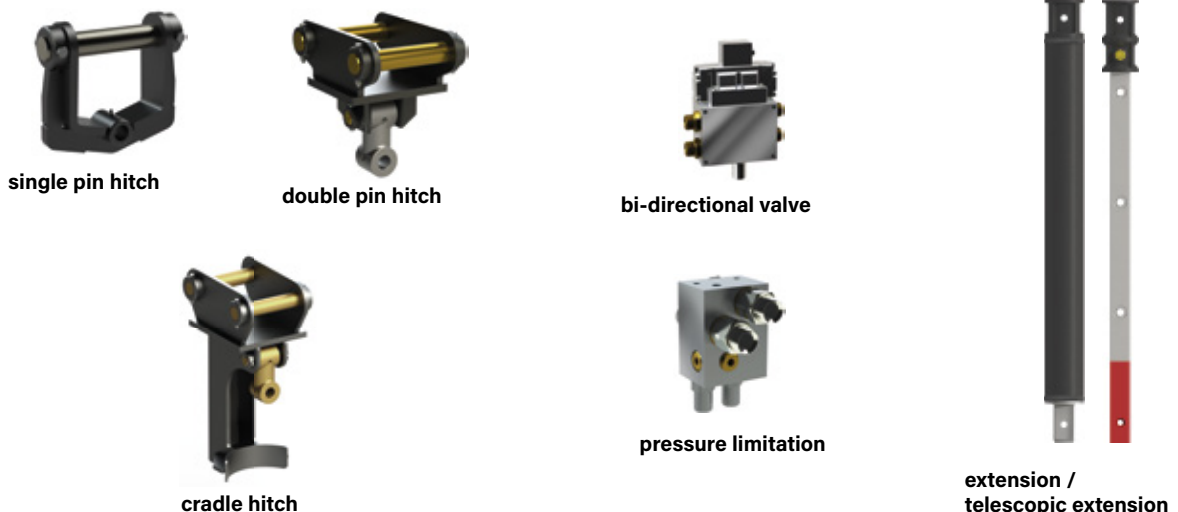
Accessories

Type	Description
S6 Ext-E 1500	extension for earth drill 15000MAX and S6 augers – 1500mm/59in length
S6 Ext-E 2000	extension for earth drill 15000MAX and S6 augers – 2000mm/78.7in length
S6 Ext-E 2500	extension for earth drill 15000MAX and S6 augers – 2500mm/98.4in length
S6 Ext-E 3000	extension for earth drill 15000MAX and S6 augers – 3000mm/118.1in length
S6 TeleExt-E 1500	telescopic extension for earth drill 15000MAX and S6 augers from diameter 300mm/11.8in – 1500mm/59in length
S6 TeleExt-E 2000	telescopic extension for earth drill 15000MAX and S6 augers from diameter 300mm/11.8in – 2000mm/78.7in length
single pin hitch	for earth drill 15000MAX
double pin hitch	for earth drill 15000MAX
cradle hitch	for earth drill 15000MAX
PRV-15000MAX-25000MAX	for earth drill 15000MAX
Valve-160LPM	for earth drill 15000MAX to rotate bi-directionally with the hammer hydraulic when there is no double-acting hammer circuit available
TM25	torque meter for screw pile installations up to 25000Nm/18437ft.lbs
Alignment Monitor	alignment monitor for vertical adjustment of the auger

Technical data

Hydraulic pressure:	80 - 240 bar / 1160 - 3480 psi
Oil flow:	80 - 170 l/min / 21 - 44.9 GPM
Torque range:	12000MAX: 3998 - 11995 Nm / 2948 - 8846 ft.lbs / 15000MAX: 5024 - 15071 Nm / 3705 - 11114 ft.lbs

Pictures



The robust earth drills for excavators from 10t/22000lbs to 22t/48400lbs operating weight is an economical and customized solution for drilling holes for e.g. fencing, road signage, landscaping and tree planting. Well borings, screw pile installations and sound barrier installations are also no problem for the earth drills.

- ▷ **Non Dislodgement Shaft (NDS)** for more safety and lower down times, as this unique construction prevents the output shaft from dislodgement.
- ▷ **Pre-filled with a colored gear oil.** Not only is the use of a colored oil a good indicator of correct service, but it also aids identifying possible hydraulic oil leaks.
- ▷ The heavy duty fabricated hoods feature **forged steel ears**; these high strength ears easily transmit the high torsional loads, experienced whilst drilling, without becoming fatigued.
- ▷ **Easy access oil service points.**
- ▷ Optional for screw pile installation: **torque meter** for real time applied torque measuring.



Earth Drills 15000MAX / 20000MAX / 25000MAX

Type	Operating weight (t/lbs)	Shaft (mm/in)	Rotations (RPM)	Height (mm/in)	Diameter (mm/in)	Weight (kg/lbs)	Matching augers
15000MAX	10-15 / 22000-33000	75 / 2.9 square	20 - 43	930 / 36.6	290 / 11.4	173 / 380.6	S6 150 - 1200
20000MAX	13-20 / 28600-44000	75 / 2.9 square	16 - 33	1130 / 44.5	345 / 13.6	268 / 589.6	S6 150 - 1200
25000MAX	15-22 / 33000-48400	75 / 2.9 square	12 - 26	1130 / 44.5	345 / 13.6	269 / 591.8	S6 150 - 1500

Package consists of: earth drill

Accessories

Type	Description
S6 Ext-E 1500	extension for earth drills 15000MAX to 25000MAX and S6 augers – 1500mm / 59.1in length
S6 Ext-E 2000	extension for earth drills 15000MAX to 25000MAX and S6 augers – 2000mm / 78.7in length
S6 Ext-E 2500	extension for earth drills 15000MAX to 25000MAX and S6 augers – 2500mm / 98.4in length
S6 Ext-E 3000	extension for earth drills 15000MAX to 25000MAX and S6 augers – 3000mm / 118.1in length
single pin hitch	for earth drills 15000MAX to 25000MAX
double pin hitch	for earth drills 15000MAX to 25000MAX
cradle hitch	for earth drills 15000MAX to 25000MAX
PRV-15000MAX-25000MAX	pressure relief valve for earth drills 15000MAX to 25000MAX
Valve-300LPM	for earth drill 15000MAX to 25000MAX to rotate bi-directionally with the hammer hydraulic when there is no double-acting hammer circuit available
TM25	torque meter for screw pile installations up to 25000Nm / 18437.5ft.lbs

Technical data

	15000MAX	20000MAX	25000MAX
Hydraulic pressure:	80 - 240 bar / 1160 - 3480psi	160 - 240 bar / 2320 - 3480psi	160 - 240 bar / 2320 - 3480psi
Oil flow:	80 - 170 l/min / 21 - 45GPM	80 - 170 l/min / 21 - 45GPM	80 - 170 l/min / 21 - 45GPM
Torque range:	5024 - 15071 Nm / 3705.2 - 11114.9 ft.lbs.	13043 - 19564 Nm / 9619.2 - 14428.5 ft.lbs.	16503 - 24755 Nm / 12171 - 18256.8 ft.lbs.

Pictures



single pin hitch



double pin hitch



bi-directional valve



cradle hitch



pressure relief valve



extension / telescopic extension

The robust earth drills for excavators from 20t/ 44000lbs to 45t/99000lbs operating weight is an economical and customized solution for drilling holes for e.g. fencing, road signage, landscaping and tree planting. Well borings, screw pile installations and sound barrier installations are also no problem for the earth drills.

- ▷ **Non Dislodgement Shaft (NDS)** for more safety and lower down times, as this unique construction prevents the output shaft from dislodgement.
- ▷ **Pre-filled with a colored gear oil.** Not only is the use of a colored oil a good indicator of correct service, but it also aids identifying possible hydraulic oil leaks.
- ▷ The heavy duty fabricated hoods feature **forged steel ears**; these high strength ears easily transmit the high torsional loads, experienced whilst drilling, without becoming fatigued.
- ▷ **Easy access oil service points.**
- ▷ Optional for screw pile installation: **torque meter** for real time applied torque measuring.



Earth Drills 35000MAX / 42000MAX / 65000MAX

Type	Operating weight (t/lbs)	Shaft (mm/in)	Rotations (RPM)	Height (mm/in)	Diameter (mm/in)	Weight (kg/lbs)	Matching augers
35000MAX	20-45 / 44000-99000	110 / 4.3 square	11 - 31	1411 / 55.6	406 / 16	442 / 972.4	PA 300 - 1500
42000MAX	20-45 / 44000-99000	110 / 4.3 square	9 - 26	1411 / 55.6	406 / 16	442 / 972.4	PA 300 - 1800
65000MAX	21-45 / 99000-46200	110 / 4.3 square	8 - 21	1556 / 61.3	406 / 16	480 / 1056	PA 300 - 2400

Package consists of: earth drill

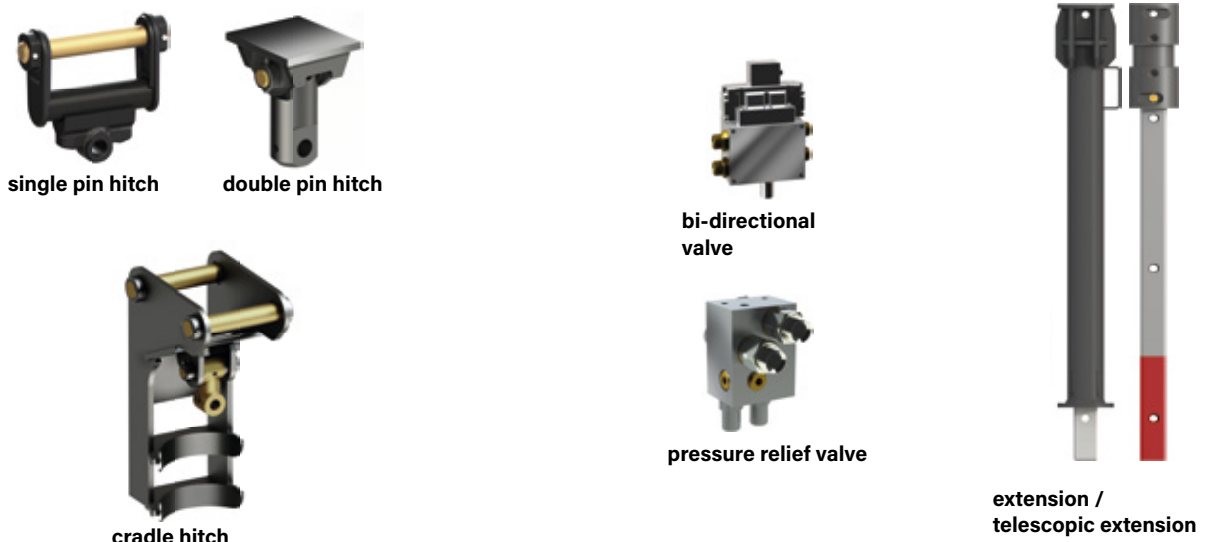
Accessories

Type	Description
PA Ext 2000	extension for earth drills 35000MAX to 65000MAX and PA augers – 2000mm / 78.7in length
PA Ext 3000	extension for earth drills 35000MAX to 65000MAX and PA augers – 3000mm / 118.1in length
PA TeleExt 2000	telescopic extension for PA augers – 2000mm / 78.7in length
PA TeleExt 3000	telescopic extension for PA augers – 3000mm / 118.1in length
single pin hitch	for earth drills 35000MAX to 65000MAX
adapter plate	for earth drills 35000MAX to 65000MAX
cradle hitch	for earth drills 35000MAX to 65000MAX
Valve-300LPM	for earth drill 35000MAX to 65000MAX to rotate bi-directionally with the hammer hydraulic when there is no double-acting hammer circuit available
TM65	torque meter for screw pile installations up to 65000Nm / 47937.5 ft.lbs

Technical data

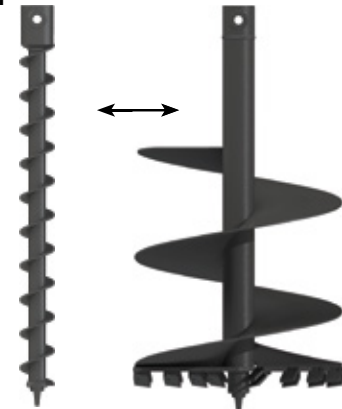
	35000MAX	42000MAX	65000MAX
Hydraulic pressure:	180 - 310bar / 2610 - 4500psi	180 - 310bar / 2610 - 4500psi	160 - 320bar / 2320 - 4640psi
Oil flow:	80 - 225 l/min / 21 - 59.5GMP	80 - 225 l/min / 21 - 59.5GMP	100 - 280 l/min / 26.5 - 74GMP
Torque range:	20510 - 35323 Nm/ 15126.1 - 26050.7 ft.lbs.	24612 - 42387 Nm/ 18151.4 - 31260.4 ft.lbs.	33295 - 66589 Nm/ 24555.1 - 49109.4 ft.lbs

Pictures



The S4 auger is perfectly matched to the earth drills with 1t/2200lbs to 5t/11000lbs operating weight and every task. A constant spiral configuration and a shallow pitch flight guarantee extreme efficiency and productivity. Suitable for mini excavators from 1t/2200lbs to 5t/11000lbs operating weight, mini loaders and skidsteer loaders up to 80 PS.

- ▷ **Higher productivity** by constant spiral configuration and the perfectly angled tooth holder.
- ▷ **Interchangeable pilots and teeth** allow for differing ground conditions.
- ▷ **Easy fitting of teeth and pilots.**
- ▷ **Patented Shock Lock-System:** incorporating a shock absorbing rubber element to protect the tungsten carbide on the tooth assembly coupled with a solid locking pin to prevent tooth loss.
- ▷ **High flexibility** thanks to different auger extensions.



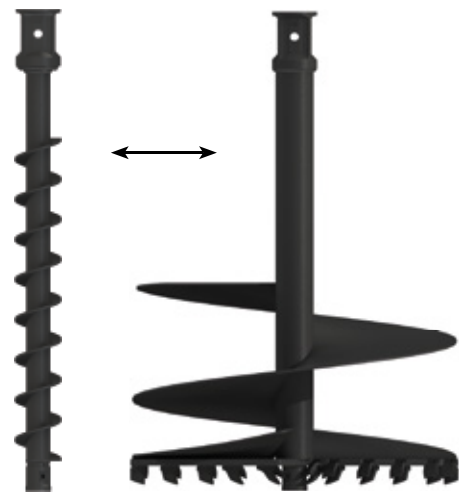
S4 Augers (specify choice of pilot and teeth when ordering)

Type	Diameter (mm/in)	Spiral length (mm/in)	Total length (mm/in)	Connection (mm/in)	Weight (kg/lbs)	Number of teeth	Tooth type
S4-100-E Earth					17 / 37.4	0	Earth
S4-100-E Tungsten	100 / 3.9	950 / 37.4	1200 / 47.2	65 / 2.5 round	17 / 37.4	0	Tungsten
S4-100-E Extra-Dig					17 / 37.4	0	Extra-Dig*
S4-150-E Earth					21 / 46.2	2	Earth
S4-150-E Tungsten	150 / 5.9	780 / 30.7	1200 / 47.2	65 / 2.5 round	22 / 48.4	2	Tungsten
S4-150-E Extra-Dig					22 / 48.4	2	Extra-Dig*
S4-200-E Earth					24 / 52.8	2	Earth
S4-200-E Tungsten	200 / 7.8	750 / 29.5	1200 / 47.2	65 / 2.5 round	24 / 52.8	2	Tungsten
S4-200-E Extra-Dig					24 / 52.8	2	Extra-Dig*
S4-225-E Earth					27 / 59.4	2	Earth
S4-225-E Tungsten	225 / 8.8	750 / 29.5	1200 / 47.2	65 / 2.5 round	28 / 61.6	2	Tungsten
S4-225-E Extra-Dig					27 / 59.4	2	Extra-Dig*
S4-250-E Earth					27 / 59.4	3	Earth
S4-250-E Tungsten	250 / 9.8	700 / 27.5	1200 / 47.2	65 / 2.5 round	28 / 61.6	3	Tungsten
S4-250-E Extra-Dig					28 / 61.6	3	Extra-Dig*
S4-300-E Earth					32 / 70.4	4	Earth
S4-300-E Tungsten	300 / 11.8	700 / 27.5	1200 / 47.2	65 / 2.5 round	33 / 72.6	4	Tungsten
S4-300-E Extra-Dig					32 / 70.4	4	Extra-Dig*
S4-350-E Earth					35 / 77	4	Earth
S4-350-E Tungsten	350 / 13.7	675 / 26.5	1200 / 47.2	65 / 2.5 round	36 / 79.2	4	Tungsten
S4-350-E Extra-Dig					36 / 79.2	4	Extra-Dig*
S4-400-E Earth					38 / 83.6	5	Earth
S4-400-E Tungsten	400 / 15.7	625 / 24.6	1200 / 47.2	65 / 2.5 round	39 / 85.8	5	Tungsten
S4-400-E Extra-Dig					38 / 83.6	5	Extra-Dig*
S4-450-E Earth					42 / 92.4	6	Earth
S4-450-E Tungsten	450 / 17.7	625 / 24.6	1200 / 47.2	65 / 2.5 round	63 / 138.6	6	Tungsten
S4-450-E Extra-Dig					63 / 138.6	6	Extra-Dig*
S4-500-E Earth					48 / 105.6	6	Earth
S4-500-E Tungsten	500 / 19.6	625 / 24.6	1200 / 47.2	65 / 2.5 round	48 / 105.6	6	Tungsten
S4-500-E Extra-Dig					48 / 105.6	6	Extra-Dig*
S4-600-E Earth					54 / 118.8	8	Earth
S4-600-E Tungsten	600 / 23.6	600 / 23.6	1200 / 47.2	65 / 2.5 round	56 / 123.2	8	Tungsten
S4-600-E Extra-Dig					55 / 121	8	Extra-Dig*
S4-750-E Earth					70 / 154	9	Earth
S4-750-E Tungsten	750 / 29.5	525 / 20.6	1200 / 47.2	65 / 2.5 round	71 / 156.2	9	Tungsten
S4-750-E Extra-Dig					71 / 156.2	9	Extra-Dig*
S4-800-E Earth					76 / 167.2	10	Earth
S4-800-E Tungsten	800 / 31.4	525 / 20.6	1200 / 47.2	65 / 2.5 round	76 / 167.2	10	Tungsten
S4-800-E Extra-Dig					76 / 167.2	10	Extra-Dig*
S4-900-E Earth					87 / 191.4	10	Earth
S4-900-E Tungsten	900 / 35.4	525 / 20.6	1200 / 47.2	65 / 2.5 round	88 / 193.6	10	Tungsten
S4-900-E Extra-Dig					88 / 193.6	10	Extra-Dig*

* Extra-dig = Tungsten-teeth and extra-dig pilot

The S5 auger is perfectly matched to the corresponding earth drills and every task. A constant spiral configuration and a shallow pitch flight guarantee extreme efficiency and productivity. Suitable for excavators from 4,5t/9900lbs to 8t/17600lbs operating weight, telehandlers and high flow skidsteer loaders.

- ▷ **Higher productivity** by constant spiral configuration and the perfectly angled tooth holder.
- ▷ **Interchangeable pilots and teeth** allow for differing ground conditions.
- ▷ **Easy fitting of teeth and pilots.**
- ▷ **Patented Shock Lock-System:** incorporating a shock absorbing rubber element to protect the tungsten carbide on the tooth assembly coupled with a solid locking pin to prevent tooth loss.
- ▷ **High flexibility** thanks to different auger extensions and telescopic extensions.

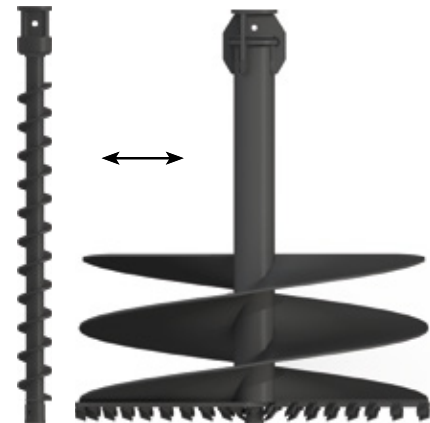


S5 Augers (specify choice of pilot and teeth when ordering)

Type	Diameter (mm/in)	Spiral length (mm/in)	Total length (mm/in)	Connection (mm/in)	Weight (kg/lbs)	Number of teeth	Tooth type
S5-150-E Earth					36 / 79.2	0	Earth
S5-150-E Tungsten	150 / 5.9	1080 / 42.5	1500 / 59	75 / 2.9 square	36 / 79.2	0	Tungsten
S5-150-E Rock					37 / 81.4	2	Rock
S5-200-E Earth					41 / 90.2	2	Earth
S5-200-E Tungsten	200 / 7.8	977 / 38.4	1500 / 59	75 / 2.9 square	40 / 88	2	Tungsten
S5-200-E Rock					40 / 88	3	Rock
S5-225-E Earth					45 / 99	2	Earth
S5-225-E Tungsten	225 / 8.8	975 / 38.3	1500 / 59	75 / 2.9 square	44 / 96.8	2	Tungsten
S5-225-E Rock					44 / 96.8	4	Rock
S5-250-E Earth					46 / 101.2	2	Earth
S5-250-E Tungsten	250 / 9.8	965 / 37.9	1500 / 59	75 / 2.9 square	46 / 101.2	2	Tungsten
S5-250-E Rock					45 / 99	4	Rock
S5-300-E Earth					51 / 112.2	4	Earth
S5-300-E Tungsten	300 / 11.8	900 / 35.4	1500 / 59	75 / 2.9 square	51 / 112.2	4	Tungsten
S5-300-E Rock					50 / 110	5	Rock
S5-350-E Earth					56 / 123.2	4	Earth
S5-350-E Tungsten	350 / 13.7	900 / 35.4	1500 / 59	75 / 2.9 square	56 / 123.2	4	Tungsten
S5-350-E Rock					55 / 121	6	Rock
S5-400-E Earth					62 / 136.4	5	Earth
S5-400-E Tungsten	400 / 15.7	875 / 34.4	1500 / 59	75 / 2.9 square	61 / 134.2	5	Tungsten
S5-400-E Rock					59 / 129.8	7	Rock
S5-450-E Earth					66 / 145.2	6	Earth
S5-450-E Tungsten	450 / 17.7	750 / 29.5	1500 / 59	75 / 2.9 square	66 / 145.2	6	Tungsten
S5-450-E Rock					63 / 138.6	8	Rock
S5-500-E Earth					73 / 160.6	6	Earth
S5-500-E Tungsten	500 / 19.6	750 / 29.5	1500 / 59	75 / 2.9 square	73 / 160.6	6	Tungsten
S5-500-E Rock					73 / 160.6	6	Rock
S5-600-E Earth					84 / 184.8	8	Earth
S5-600-E Tungsten	600 / 23.6	750 / 29.5	1500 / 59	75 / 2.9 square	84 / 184.8	8	Tungsten
S5-600-E Rock					82 / 180.4	11	Rock
S5-750-E Earth					101 / 222.2	9	Earth
S5-750-E Tungsten	750 / 29.5	700 / 27.5	1500 / 59	75 / 2.9 square	101 / 222.2	9	Tungsten
S5-750-E Rock					95 / 209	14	Rock
S5-800-E Earth					109 / 239.8	9	Earth
S5-800-E Tungsten	800 / 31.4	700 / 27.5	1500 / 59	75 / 2.9 square	109 / 239.8	9	Tungsten
S5-800-E Rock					113 / 248.6	15	Rock
S5-900-E Earth					137 / 301.4	10	Earth
S5-900-E Tungsten	900 / 35.4	700 / 27.5	1500 / 59	75 / 2.9 square	137 / 301.4	10	Tungsten
S5-900-E Rock					133 / 292.6	17	Rock
S5-1000-E Earth					119 / 261.8	11	Earth
S5-1000-E Tungsten	1000 / 39.3	525 / 20.6	1500 / 59	75 / 2.9 square	119 / 261.8	11	Tungsten
S5-1000-E Rock					133 / 292.6	19	Rock

The S6 auger is perfectly matched to the corresponding earth drills and every task. A constant spiral configuration and a shallow pitch flight guarantee extreme efficiency and productivity. Suitable for excavators from 8t/17600lbs to 15t/33000lbs operating weight and backhoes.

- ▷ **Higher productivity** by constant spiral configuration and the perfectly angled tooth holder.
- ▷ **Interchangeable pilots and teeth** allow for differing ground conditions.
- ▷ **Easy fitting of teeth and pilots.**
- ▷ **Patented Shock Lock-System:** incorporating a shock absorbing rubber element to protect the tungsten carbide on the tooth assembly coupled with a solid locking pin to prevent tooth loss.
- ▷ **High flexibility** thanks to different auger extensions and telescopic extensions.



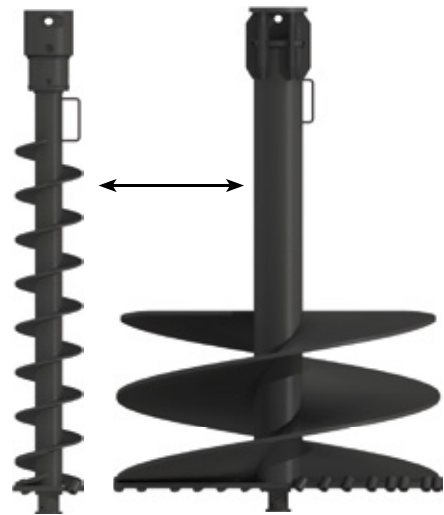
S6 Augers (specify choice of pilot and teeth when ordering)

Type	Diameter (mm/in)	Spiral length (mm/in)	Total length (mm/in)	Connection (mm/in)	Weight (kg/lbs)	Number of teeth	Tooth type
S6-150 Earth	150 / 5.9	1320 / 51.9	1880 / 74	75 / 2.9 square	58 / 116	0	Earth
S6-150 Tungsten					58 / 116	0	Tungsten
S6-150 Rock					58 / 116	2	Rock
S6-200 Earth	200 / 7.8	1200 / 47.2	1880 / 74	75 / 2.9 square	55 / 121	2	Earth
S6-200 Tungsten					59 / 129.8	2	Tungsten
S6-200 Rock					59 / 129.8	3	Rock
S6-225 Earth	225 / 8.8	1203 / 47.3	1880 / 74	75 / 2.9 square	62 / 136.4	2	Earth
S6-225 Tungsten					62 / 136.4	2	Tungsten
S6-225 Rock					62 / 136.4	4	Rock
S6-250 Earth	250 / 9.8	1225 / 48.2	1880 / 74	75 / 2.9 square	67 / 147.4	2	Earth
S6-250 Tungsten					67 / 147.4	2	Tungsten
S6-250 Rock					66 / 145.2	4	Rock
S6-300 Earth	300 / 11.8	1200 / 47.2	1880 / 74	75 / 2.9 square	82 / 180.4	4	Earth
S6-300 Tungsten					82 / 180.4	4	Tungsten
S6-300 Rock					81 / 178.2	5	Rock
S6-350 Earth	350 / 13.7	1125 / 44.2	1880 / 74	75 / 2.9 square	90 / 198	4	Earth
S6-350 Tungsten					90 / 198	4	Tungsten
S6-350 Rock					89 / 195.8	6	Rock
S6-400 Earth	400 / 15.7	1000 / 39.3	1880 / 74	75 / 2.9 square	98 / 215.6	5	Earth
S6-400 Tungsten					98 / 215.6	5	Tungsten
S6-400 Rock					97 / 213.4	7	Rock
S6-450 Earth	450 / 17.7	1000 / 39.3	1880 / 74	75 / 2.9 square	111 / 244.2	6	Earth
S6-450 Tungsten					111 / 244.2	6	Tungsten
S6-450 Rock					109 / 239.8	8	Rock
S6-500 Earth	500 / 19.6	1000 / 39.3	1880 / 74	75 / 2.9 square	125 / 275	6	Earth
S6-500 Tungsten					125 / 275	6	Tungsten
S6-500 Rock					123 / 270.6	9	Rock
S6-600 Earth	600 / 23.6	900 / 35.4	1880 / 74	75 / 2.9 square	137 / 301.4	8	Earth
S6-600 Tungsten					138 / 303.6	8	Tungsten
S6-600 Rock					136 / 299.2	11	Rock
S6-750 Earth	750 / 29.5	875 / 34.4	1880 / 74	75 / 2.9 square	168 / 369.6	9	Earth
S6-750 Tungsten					168 / 369.6	9	Tungsten
S6-750 Rock					170 / 374	14	Rock
S6-800 Earth	800 / 31.4	875 / 34.4	1880 / 74	75 / 2.9 square	189 / 415.8	9	Earth
S6-800 Tungsten					189 / 415.8	9	Tungsten
S6-800 Rock					187 / 411.4	15	Rock
S6-900 Earth	900 / 35.4	875 / 34.4	1880 / 74	75 / 2.9 square	224 / 492.8	10	Earth
S6-900 Tungsten					224 / 492.8	10	Tungsten
S6-900 Rock					221 / 486.2	17	Rock
S6-1000 Earth	1000 / 39.3	700 / 27.5	1880 / 74	75 / 2.9 square	229 / 503.8	11	Earth
S6-1000 Tungsten					229 / 503.8	11	Tungsten
S6-1000 Rock					226 / 497.2	19	Rock
S6-1200 Earth	1200 / 47.2	600 / 23.6	1880 / 74	75 / 2.9 square	316 / 695.2	15	Earth
S6-1200 Tungsten					316 / 695.2	15	Tungsten
S6-1200 Rock					316 / 695.2	23	Rock
S6-1500 Earth	1500 / 59	600 / 23.6	1880 / 74	75 / 2.9 square	-	-	Earth
S6-1500 Tungsten					-	-	Tungsten
S6-1500 Rock					-	-	Rock

The PA auger is perfectly matched to the corresponding earth drills and every task. A constant spiral configuration and a shallow pitch flight guarantee extreme efficiency and productivity.

Suitable for excavators from 20t/44000lbs to 45t/99000lbs operating weight.

- ▷ **Higher productivity** by constant spiral configuration and the perfectly angled tooth holder.
- ▷ **Interchangeable pilots and teeth** allow for differing ground conditions.
- ▷ **Easy fitting of teeth and pilots.**
- ▷ **Patented Shock Lock-System:** incorporating a shock absorbing rubber element to protect the tungsten carbide on the tooth assembly coupled with a solid locking pin to prevent tooth loss.
- ▷ **High flexibility** thanks to different auger extensions and telescopic extensions.
- ▷ Available in two lengths: 2380mm/ 93.7in or 3380mm/133.1in.



PA Augers 2380 mm (specify choice of pilot and teeth when ordering)

Type	Diameter (mm/in)	Spiral length (mm/in)	Total length (mm/in)	Connection (mm/in)	Weight	Number of teeth	Tooth type
PA-300-2380 Earth	300 / 11.8	1558 / 61.3	2380 / 93.7	110 / 4.3 square	165	3	Earth
PA-300-2380 Rock							Rock
PA-350-2380 Earth	350 / 13.8	1527 / 60.1	2380 / 93.7	110 / 4.3 square	177	3	Earth
PA-350-2380 Rock							Rock
PA-400-2380 Earth	400 / 15.7	1446 / 56.9	2380 / 93.7	110 / 4.3 square	190	4	Earth
PA-400-2380 Rock							Rock
PA-450-2380 Earth	450 / 17.7	1446 / 56.9	2380 / 93.7	110 / 4.3 square	211	4	Earth
PA-450-2380 Rock							Rock
PA-500-2380 Earth	500 / 19.7	1446 / 56.9	2380 / 93.7	110 / 4.3 square	235	5	Earth
PA-500-2380 Rock							Rock
PA-600-2380 Earth	600 / 23.6	1433 / 56.4	2380 / 93.7	110 / 4.3 square	167	6	Earth
PA-600-2380 Rock							Rock
PA-750-2380 Earth	750 / 29.5	1321 / 52.0	2380 / 93.7	110 / 4.3 square	318	7	Earth
PA-750-2380 Rock							Rock
PA-800-2380 Earth	800 / 31.5	1321 / 52.0	2380 / 93.7	110 / 4.3 square	344	8	Earth
PA-800-2380 Rock							Rock
PA-900-2380 Earth	900 / 35.4	1321 / 52.0	2380 / 93.7	110 / 4.3 square	412	10	Earth
PA-900-2380 Rock							Rock
PA-1000-2380 Earth	1000 / 39.4	971 / 38.2	2380 / 93.7	110 / 4.3 square	140	10	Earth
PA-1000-2380 Rock							Rock
PA-1200-2380 Earth	1200 / 47.2	908 / 35.7	2380 / 93.7	110 / 4.3 square	522	12	Earth
PA-1200-2380 Rock							Rock

PA Augers 3380 mm (specify choice of pilot and teeth when ordering)

Type	Diameter (mm/ in)	Spiral length (mm/ in)	Total length (mm/ in)	Connection (mm/in)	Tooth type
PA-300-3380 Earth	300 / 11.8	1558 / 61.3	3380 / 133.1	110 / 4.3 square	Earth
PA-300-3380 Rock					Rock
PA-350-3380 Earth	350 / 13.8	1527 / 60.1	3380 / 133.1	110 / 4.3 square	Earth
PA-350-3380 Rock					Rock
PA-400-3380 Earth	400 / 15.7	1446 / 56.9	3380 / 133.1	110 / 4.3 square	Earth
PA-400-3380 Rock					Rock
PA-450-3380 Earth	450 / 17.7	1446 / 56.9	3380 / 133.1	110 / 4.3 square	Earth
PA-450-3380 Rock					Rock
PA-500-3380 Earth	500 / 19.7	1446 / 56.9	3380 / 133.1	110 / 4.3 square	Earth
PA-500-3380 Rock					Rock
PA-600-3380 Earth	600 / 23.6	1433 / 56.4	3380 / 133.1	110 / 4.3 square	Earth
PA-600-3380 Rock					Rock
PA-750-3380 Earth	750 / 29.5	1321 / 52	3380 / 133.1	110 / 4.3 square	Earth
PA-750-3380 Rock					Rock
PA-800-3380 Earth	800 / 31.5	1321 / 52	3380 / 133.1	110 / 4.3 square	Earth
PA-800-3380 Rock					Rock
PA-900-3380 Earth	900 / 35.4	1321 / 52	3380 / 133.1	110 / 4.3 square	Earth
PA-900-3380 Rock					Rock
PA-1000-3380 Earth	1000 / 39.4	971 / 38.2	3380 / 133.1	110 / 4.3 square	Earth
PA-1000-3380 Rock					Rock
PA-1200-3380 Earth	1200 / 47.2	908 / 35.7	3380 / 133.1	110 / 4.3 square	Earth
PA-1200-3380 Rock					Rock