



**NEWS**

**Special and Custom  
Solutions**

**Guard Rail Grapple  
with *HPXdrive*  
and Exchangeable Tines**



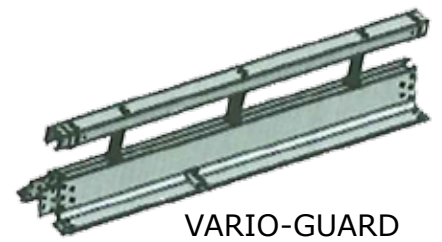
www.kinshofer.com



**700031/2009**

## Guard Rail Grapple with *HPXdrive Standard* and Exchangeable Tines

The guard rail grapple with *HPXdrive Standard* and proven **KINSHOFER** rotator for loader cranes allows for precise handling of two different guard rail systems (MINI-GUARD and VARIO-GUARD) with just one tool thanks to the easily and fast exchanged tines. Short guard rail elements as well as up to 12m long pieces are no problem at all.



VARIO-GUARD

The elements are protected by plastic or rubber inserts on the grapple.

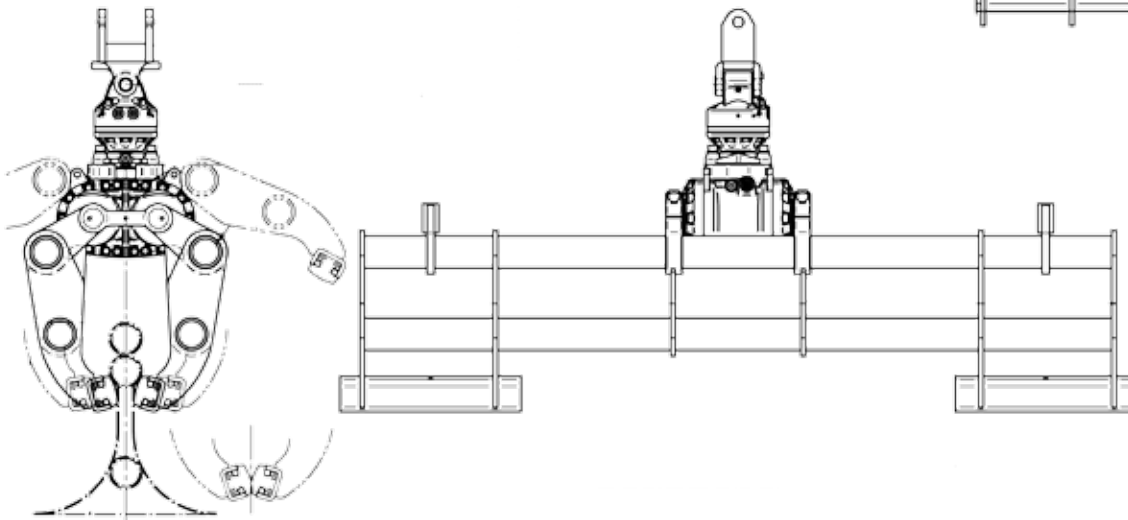
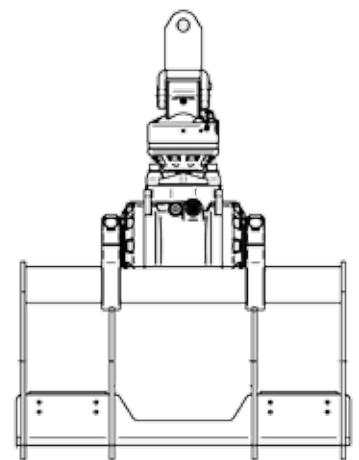
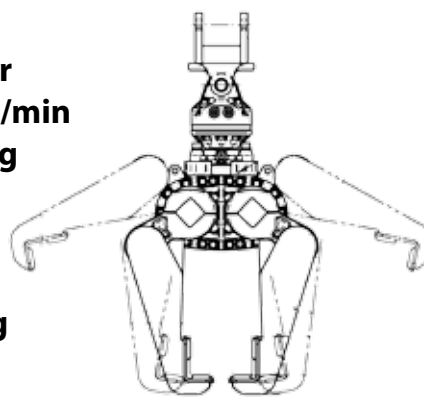
Non-return valves guarantee a safe operation due to the secure retention of loads even at pressure drops.



MINI-GUARD

### TECHNICAL DATA:

<b>Operating pressure:</b>	<b>200 bar</b>
<b>Pump capacity:</b>	<b>25-75 l/min</b>
<b>Load capacity:</b>	<b>1500 kg</b>
<b>Closing force:</b>	<b>25 kN</b>
<b>Self weight:</b>	
<b>width: 820 mm = 250 kg</b>	
<b>width: 2200 mm = 415 kg</b>	



We reserve the right to amend specifications without prior notice! **KINSHOFER** GmbH, D- 83666 Waakirchen, Germany

Main Office Germany:  
**KINSHOFER** GmbH  
 Hauptstrasse 76  
 83666 Waakirchen  
 Tel.: +49 (0)8021 – 88 99 0  
 Fax: +49 (0)8021 – 88 99 37  
 Email: info@kinshofer.com

France:  
**KINSHOFER** France S.A.R.L.  
 B.P. 20100  
 67213 Obernai Cedex  
 Tel.: +33 (0) 3 88 39 55 00  
 Fax: +33 (0) 3 88 79 06 75  
 Email: info@kinshofer.fr

General Agency for Benelux:  
 Rigter Handelsonderneming B.V.  
 Nieuwe Maatsweg 7  
 NL-3755 NP Eemnes  
 Tel.: +31 (0) 35 53 10628  
 Fax: +31 (0) 35 53 17462  
 Mobil: +31 (0) 653 - 370935  
 +31 (0) 651 - 366420  
 Email: gf.rigter@gmail.com gfjm.rigter@hccnet.nl

United Kingdom:  
**KINSHOFER** UK Ltd.  
 4 Milton Industrial Court  
 Horsfield Way, Bredbury  
 Stockport, Cheshire, SK6 2TA  
 Tel.: +44 (0)161 – 406 7046  
 Fax: +44 (0)161 – 406 7014  
 Email: sales@kinshofer.co.uk

... everywhere in front

**KINSHOFER**  
 crane and excavator attachments