

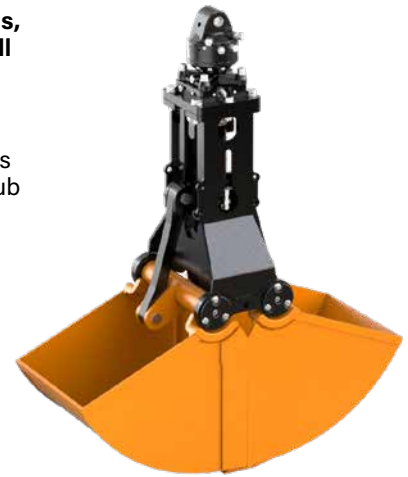
Clamshell Bucket with Vertical Hydraulic Cylinder

KM 603

The KM 603 is a proven grapple for daily routine work – ideal for excavating foundations, trenches and other similar applications in civil engineering. The closely positioned shell pivots ensure good digging behaviour and high closing pressure.

- ▷ **Good digging behaviour** through the closely positioned shell pivots.
- ▷ **Longevity** is ensured through the use of 500 HB steel in the manufacture of cutting edges and the generously dimensioned bearing system. The enclosed hydraulic cylinder (in a hub unit) and short hydraulic connection hoses lower the risk of damage and down-time.
- ▷ **Maximum loading height** is achieved through the compact design.
- ▷ **Bolt-on digging teeth** are delivered with each clamshell bucket.
- ▷ **Excellent digging characteristics** are the result of high closing forces (4400 lbf at an operating pressure of 3750 psi).

→ Alternatively to the KM 603, the KM 604HPX can be used with an extension for excavating



Package Clamshell Bucket KM 603 c

Type	Volume (c.y.)	Width E (in)	Opening A max. (in)	Number of teeth	Self weight (lbs)	Closing force (lbf)	Load capacity (lbs)
KM 603-250 c	0.33	20	55	5	726	4400	6600
KM 603-350 c	0.46	26	55	5	781	4400	6600

Package consists of: clamshell bucket, bolt-on teeth, rotator KM 04 F, short connecting hoses KM 203 01, upper suspension KM 501 4500, non-return valve

Clamshell Bucket KM 603 incl. Teeth

Type	Volume (c.y.)	Width E (in)	Opening A max. (in)	Number of teeth	Self weight (lbs)	Closing force (lbf)	Load capacity (lbs)
KM 603-150	0.20	13	55	3	572	4400	6600
KM 603-200	0.26	16	55	3	605	4400	6600
KM 603-250	0.33	20	55	5	649	4400	6600
KM 603-325	0.43	24	55	5	693	4400	6600
KM 603-350	0.46	26	55	5	704	4400	6600
KM 603-450	0.59	32	55	9	781	4400	6600

Accessories

Type	Description
KM 04 F	recommended KINSHOFER rotator for KM 603
KM 04 S	KINSHOFER shaft rotator for precise positioning of the load – up to 9900 lbs load capacity
KM 04 S68-30US	recommended KINSHOFER shaft rotator for heavy duty tasks – up to 9900 lbs load capacity
KM 505	quick change system for shaft-type rotator KM 04 S
KM 505 HD	quick change system HD for shaft-type rotator KM 04 S68-30US
KM 502 4500	reduction link between rotator and grapple
KM 680 01	scraper
KM 685 06 hook set 2	welded hooks (2 pieces)
KM 685 06 eye set 2	welded eyes (2 pieces)
KM 685 07 set	wear plates to protect horizontal cutting edges (2 pieces)

Requirements of Truck Crane

Operating pressure at oil flow:
max. 3750 psi at 6.5 - max. 20 GPM
⚠ **Mind the pressure!**

Technical Drawings

