



NEWS

**Special and Custom
Solutions**

**Pipe Grab with *HPXdrive*
and Special Coating**



www.kinshofer.com

Pipe Grab with *HPXdrive* and Special Coating

The special Polyurethan-coating (PU-coating) on the pipe grab with *HPXdrive* by **KINSHOFER** brings crucial advantages over the version without coating:

ADVANTAGES GRAB:

- grabbed pipes are not damaged
- surrounding pipes are not damaged due to 5 mm PU-coating also on the outside
- coat is hotly gunned on sandblasted steelplate

ADVANTAGES PU-COATING:

- PU-coating gunned hotly on sandblasted steelplates for better splicing with the material
- each piece coatable up to 20 mm thickness (e.g. exchangeable jaws, etc.)
- extremely wear-resistant



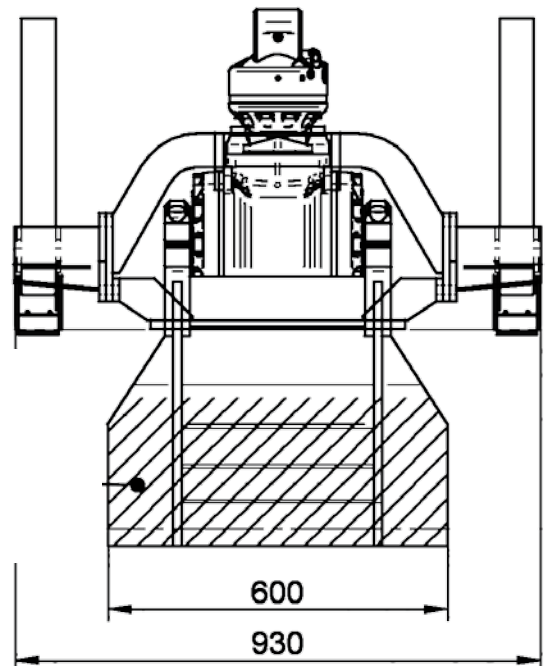
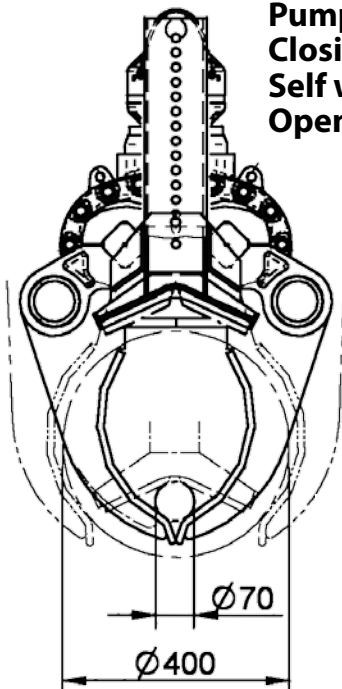
Clamping jaw with PU-coating



Exchangeable jaw with PU-coating

TECHNICAL DATA:

Capacity:	2000 kg
Operat. pressure:	260 bar
Pump capacity:	40-90 l/min
Closing force:	25 kN
Self weight:	290 kg
Opening:	Ø 70-400 mm



We reserve the right to amend specifications without prior notice! **KINSHOFER** GmbH, D- 83666 Waakirchen, Germany

im unteren Bereich PU-Beschichtet

Main Office Germany:
KINSHOFER GmbH
Hauptstrasse 76
83666 Waakirchen
Tel.: +49 (0)8021 – 88 99 0
Fax: +49 (0)8021 – 88 99 37
Email: info@kinshofer.com

France:
KINSHOFER France S.A.R.L.
B.P. 20100
67213 Obernai Cedex
Tel.: +33 (0) 3 88 39 55 00
Fax: +33 (0) 3 88 79 06 75
Email: info@kinshofer.fr

General Agency for Benelux:
Rigter Handelsonderneming B.V.
Nieuwe Maatsweg 7
NL-3755 NP Eemnes
Tel.: +31 (0) 35 53 10628
Fax: +31 (0) 35 53 17462
Mobil: +31 (0) 653 - 370935
+31 (0) 651 - 366420
Email: gf.rigter@gmail.com gfjm.rigter@hccnet.nl

United Kingdom:
KINSHOFER UK Ltd.
4 Milton Industrial Court
Horsfield Way, Bredbury
Stockport, Cheshire, SK6 2TA
Tel.: +44 (0)161 – 406 7046
Fax: +44 (0)161 – 406 7014
Email: sales@kinshofer.co.uk

... everywhere in front

KINSHOFER
crane and excavator attachments