



Pipe / Rod Grapple with *HPX* drive

NEWS
Special and Custom
Solutions



www.kinshofer.com



178635/2008

Pipe / Rod Grapple with *HPXdrive*

The pipe grapple combines the advantages of the **KINSHOFER** manipulators with the revolutionary, patented *HPXdrive*. Smooth grabbing and safe lifting are guaranteed due to the special kinematics of the grapple and the non-slip Vulkollan-overlay on all gripping parts.

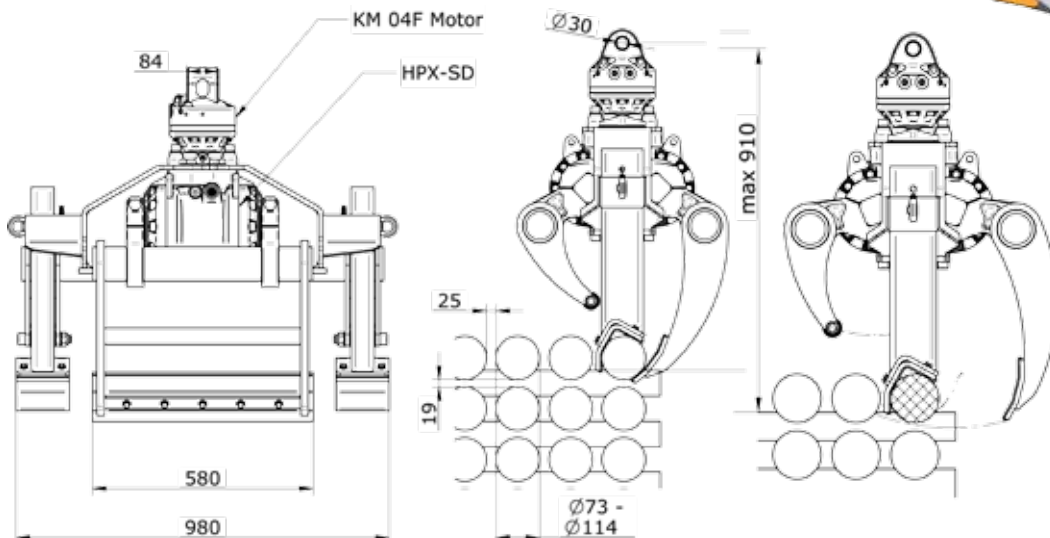


ADVANTAGES:

- fivefold height shift of central compression jaw makes smooth grabbing of different diameter pipes possible
- rods laying at close quarters of up to 25 mm can be grabbed and lifted easily without damage
- load is clamped securely thanks to the second outer arm
- form-closed gripping of tubes achieved, even when charge is oil glazed
- safe retention of loads due to integrated non-return valve
- compression rails are exchangeable fast and easy

TECHNICAL DATA:

Oper. pressure:	260 bar
Load capacity:	500 kg
Gripping range:	Ø 73 - Ø 144
Self weight cpl.:	286 kg



We reserve the right to amend specifications without prior notice! **KINSHOFER** GmbH, D- 83666 Waakirchen, Germany

Main Office Germany:
KINSHOFER GmbH
 Hauptstrasse 76
 83666 Waakirchen
 Tel.: +49 (0)8021 - 88 99 0
 Fax: +49 (0)8021 - 88 99 37
 Email: info@kinshofer.com

France:
KINSHOFER France S.A.R.L.
 B.P. 20100
 67213 Obernai Cedex
 Tel.: +33 (0) 3 88 39 55 00
 Fax: +33 (0) 3 88 79 06 75
 Email: info@kinshofer.fr

General Agency for Benelux:
 Rigter Handelsonderneming B.V.
 Nieuwe Maatsweg 7
 NL-3755 NP Eemnes
 Tel.: +31 (0) 35 53 10628
 Fax: +31 (0) 35 53 17462
 Mobil: +31 (0) 653 - 370935
 +31 (0) 651 - 366420
 Email: gf.rigter@gmail.com gfjm.rigter@hccnet.nl

United Kingdom:
KINSHOFER UK Ltd.
 4 Milton Industrial Court
 Horsfield Way, Bredbury
 Stockport, Cheshire, SK6 2TA
 Tel.: +44 (0)161 - 406 7046
 Fax: +44 (0)161 - 406 7014
 Email: sales@kinshofer.co.uk

... everywhere in front

KINSHOFER
 crane and excavator attachments